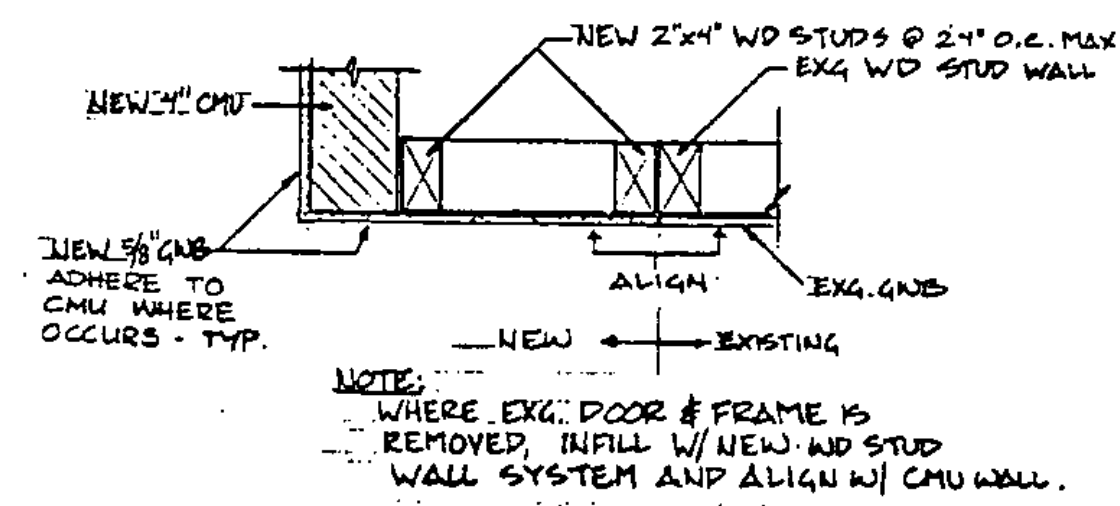


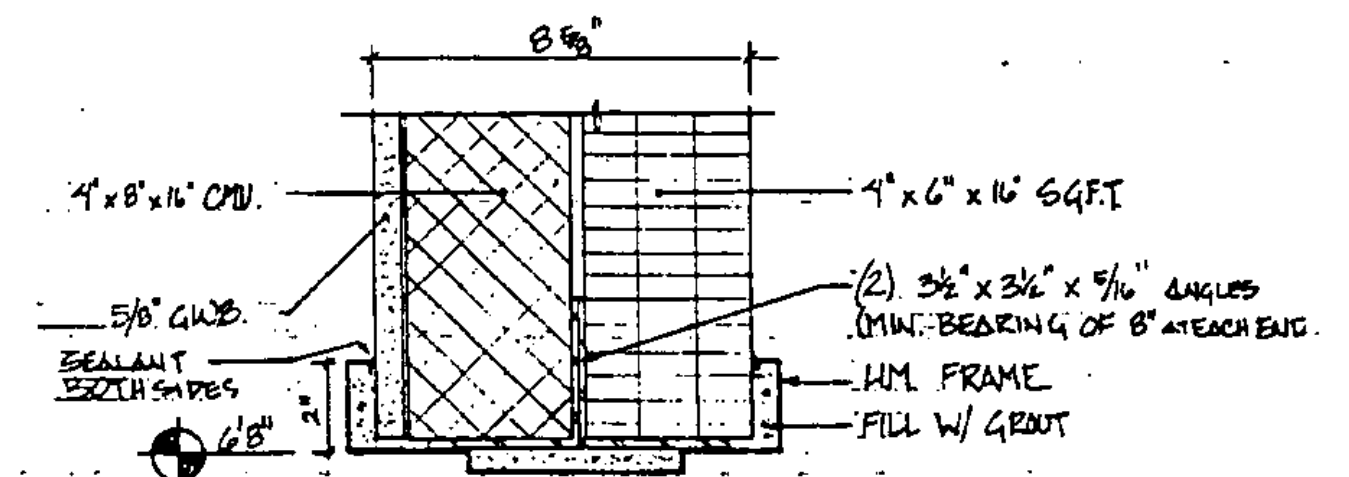
09 SECTION / DETAIL - EXG/NEW AT HALL OPENING  
1 1/2"=1'-0"



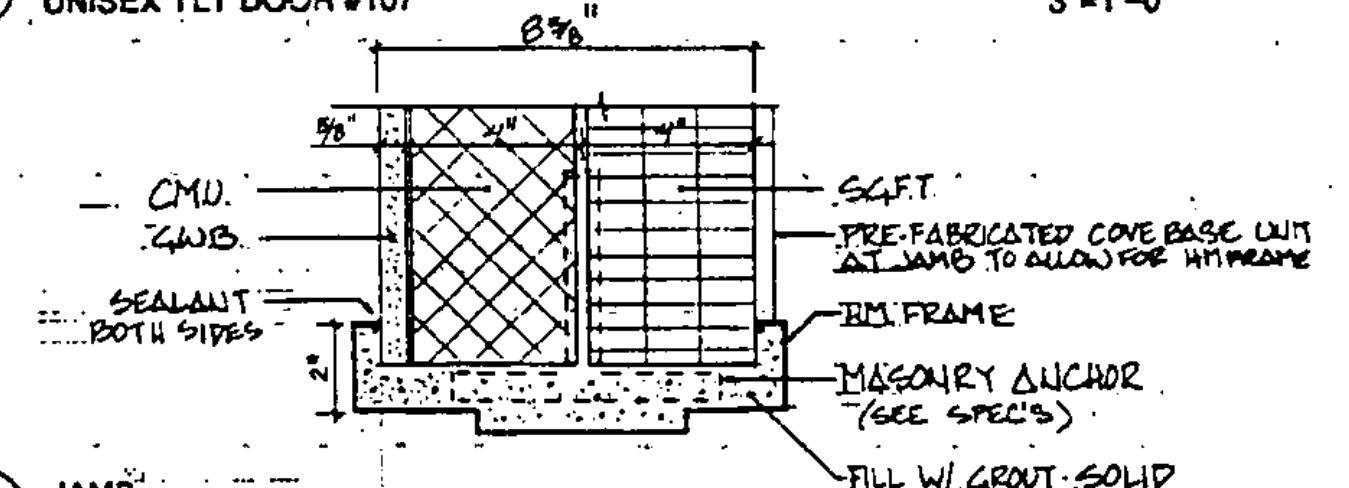
10 HORIZ. SECTION - EXG/NEW CONNECTION AT HALL OPENING  
1 1/2"=1'-0"

DOOR SCHEDULE												
DOOR #	TYPE	MAT.	W	H	MAT	HEAD	JAMB	LINTEL	THR.	LABEL	HDWR GROUP	REMARKS
101	A	AL	3'0"	6'8"	AL	08/10						*see section 08400
102	A	AL	3'0"	6'8"	AL							*see section 08400
103	EXG TO REMAIN											
104	EXG TO REMAIN											
105	EXG TO BE REMOVED											
106	B	HM	2'6"	6'8"	HM	06/07	06/07					
107	B	HM	3'0"	6'8"	HM	04/07	05/07	YES			1	
108	C	HM	3'0"	6'8"	HM	05/07	07/07	YES	12/10	C	2	provide 6"x6" one way light centered @ S.A.F.F.
109	EXG TO REMAIN											
110	B	HM	3'0"	6'8"	HM	08A/07	08A/07				EX 01	*use same threshold as entry doors
111	D	HM	2'6"	4'8"	HM							mfr. provides frame and hardware (exg. entry door)
112	EXG TO BE REMOVED											
113	EXG TO BE REMOVED											
114	D	HM	2'6"	2'6"	HM							mfr. provides frame and hardware

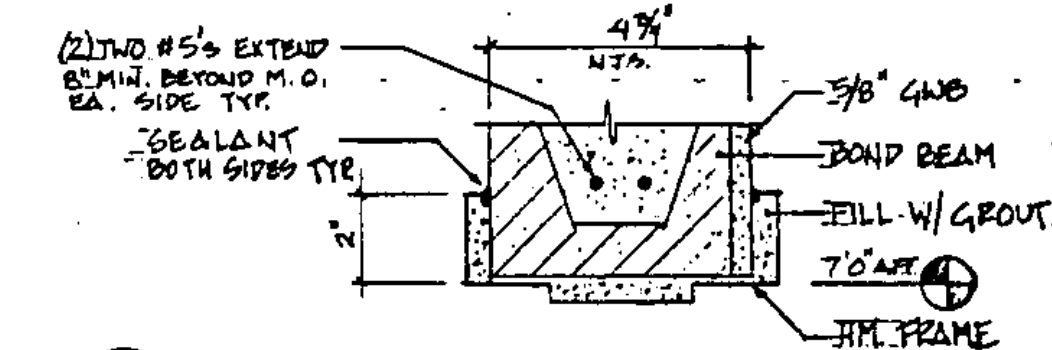
**DOOR TYPES**  
 TYPE A: SEE ELEVATIONS  
 TYPE B: FLUSH HOLLOW METAL  
 TYPE C: FLUSH HM WITH 6"X6" ONE WAY LIGHT  
 TYPE D: ACCESS DOOR



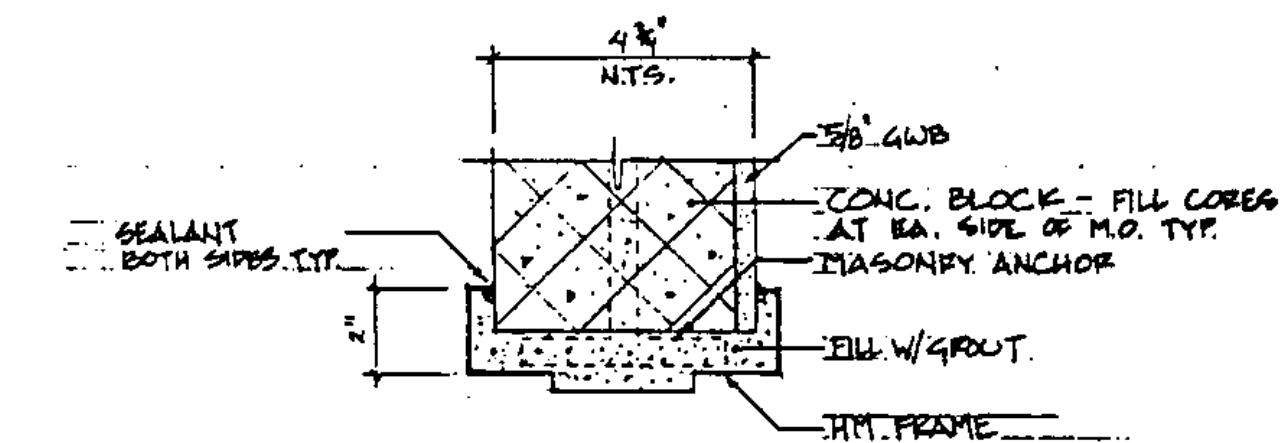
04 HEAD UNISEX TLT DOOR #107  
3'-1'-0"



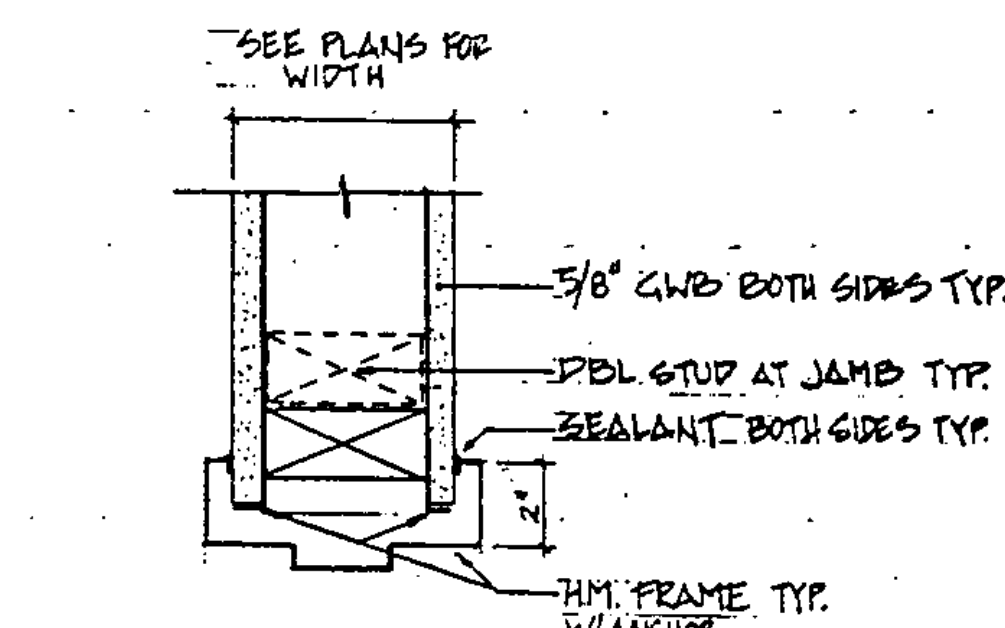
05 JAMB UNISEX TLT DOOR #107  
3'-1'-0"



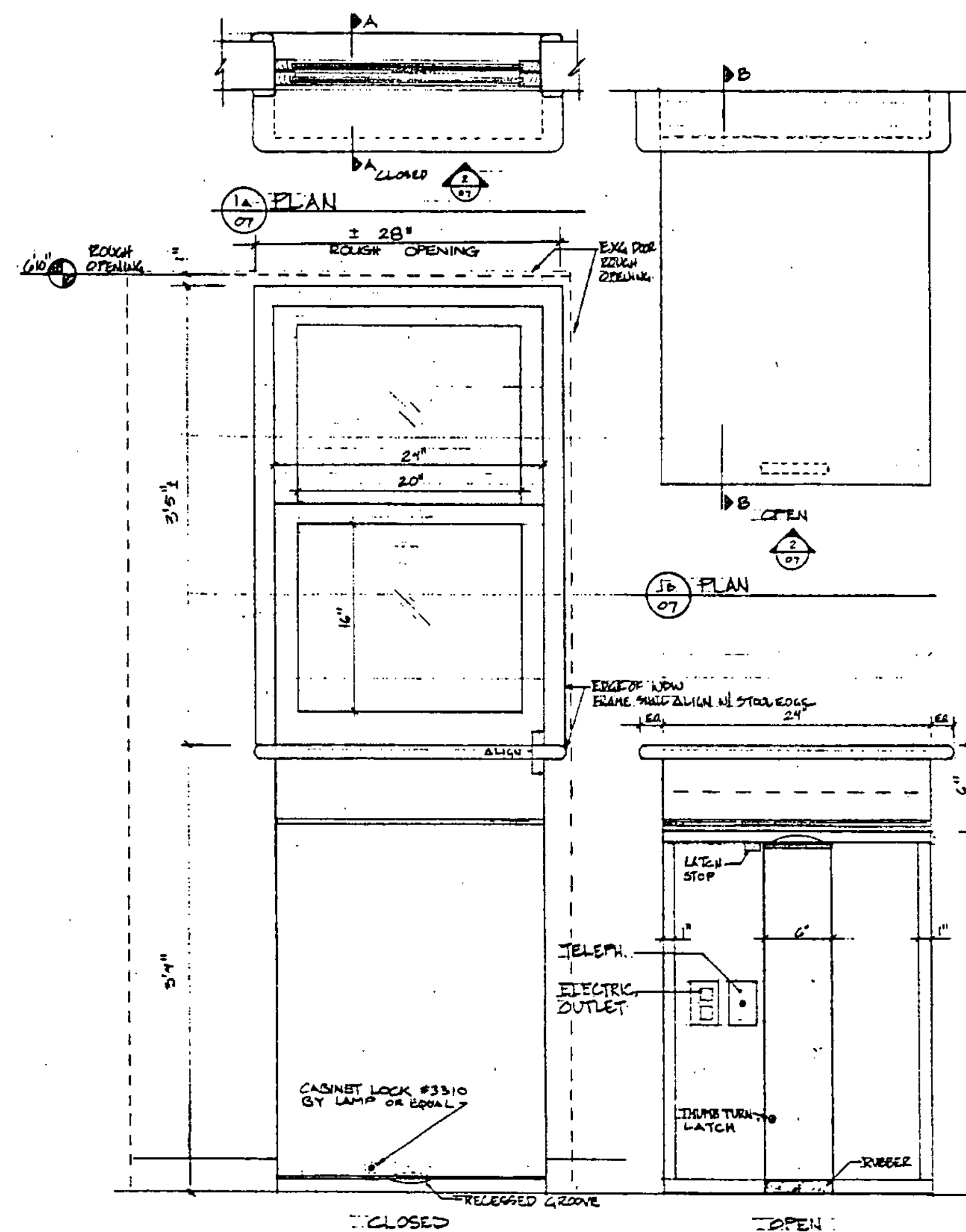
06 HEAD UTILITY DOOR #108  
3'-1'-0"



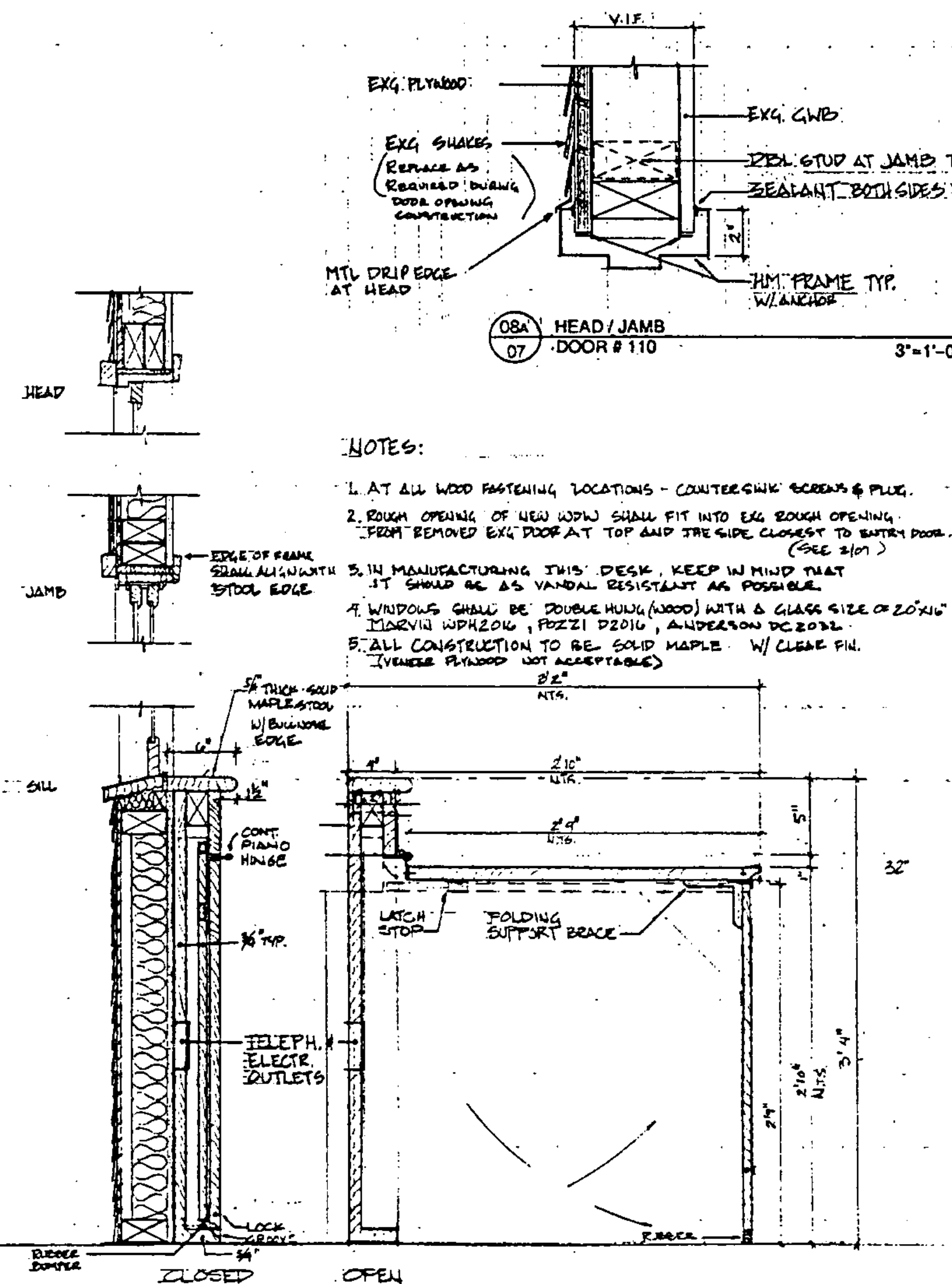
07 JAMB UTILITY DOOR #108  
3'-1'-0"



08 HEAD / JAMB CLOSET DOOR #106  
3'-1'-0"



01 FRONT ELEVATION  
SCALE 1/2"=1'-0"

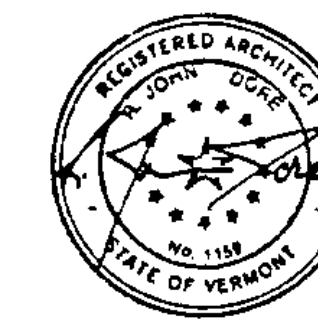


02 SECTION A-A

03 SECTION B-B

- NOTES:**
1. AT ALL WOOD FASTENING LOCATIONS - COUNTERSINK SCREWS & PLUG.
  2. ROUGH OPENING OF NEW WDW SHALL FIT INTO EXG ROUGH OPENING. FROM REMOVED EXG DOOR AT TOP AND THE SIDE CLOSEST TO ENTRY DOOR. (SEE 2101)
  3. IN MANUFACTURING THIS DESK, KEEP IN MIND THAT IT SHOULD BE AS VANDAL RESISTANT AS POSSIBLE.
  4. WINDOWS SHALL BE DOUBLE HUNG (WOOD) WITH A GLASS SIZE OF 20"x16" (MASONRY WINDOW, POZZI D2014, ANDERSON DC2014).
  5. ALL CONSTRUCTION TO BE SOLID MAPLE W/ CLEAR FIN. (VENNER PLYWOOD NOT ACCEPTABLE)

FOLDING TABLE & WINDOW



STATE OF VERMONT  
 DEPARTMENT OF STATE BUILDINGS  
 AGENCY OF ADMINISTRATION  
 MONTPELIER, VERMONT

REST AREA REHABILITATION  
 LYNDON I-91 SOUTHBOUND  
 FOLDING-TABLE/ DOOR + WDW DETLS

DATE: JUNE 9, 1995	SCALE: AS NOTED	REVISIONS:	DRAWING NO.: 07
DRAWN BY: RFP	PROJECT NO.: I-91-BLDG(2)		SHEET: 10 OF 29
APPROVED BY: JBA			