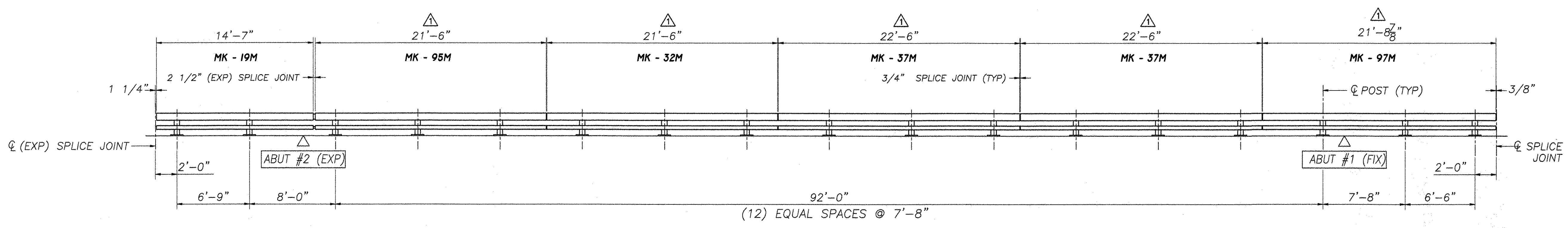


BILL OF MATERIAL				
Mk.	Qty.	Description	Material	Total wgt.
	17	RAIL POST W6x25 WITH BASE PLATE		1581 lbs.
*	17	ANCHORAGE ASSEMBLY WITH PLATE (4) ANCHOR STUDS & HARDWARE *		459 lbs.
△	5	UPPER RAIL SPLICE TUBE 7x3x3/8 (1'-8" OAL)		158 lbs.
△	5	LOWER RAIL SPLICE TUBE 3x3x5/16 (1'-8" OAL)		74 lbs.
	17	1/8" THICK BEARING PAD		8.5 lbs.
	68	3/4" DIA x 6" LG. ROUND-SLOTTED HEAD BOLT WITH WASHER & LOCKNUT		58.48 lbs.
△	40	5/8" DIA x 1 3/4" HEX HEAD BOLT WITH HARDENED WASHER		8.96 lbs.
	8	3/4" SCH 40 SPACER PIPE x 1/2" LONG		.56 lbs.
△	-37M	2 RAIL TUBE (UPPER) 8x4x5/16 22'-6" OAL		1102.5 lbs.
△	-95M	1 RAIL TUBE (UPPER) 8x4x5/16 21'-6" (SLOTTED ONE END)		526.75 lbs.
△	-32M	1 RAIL TUBE (UPPER) 8x4x5/16 21'-6" OAL		526.75 lbs.
△	-97M	1 RAIL TUBE (UPPER) 8x4x5/16 21'-8 7/8" OAL		532.62 lbs.
△	-19M	1 RAIL TUBE (UPPER) 8x4x5/16 14'-7" (SLOTTED BOTH ENDS)		357.29 lbs.
△	-37M	2 RAIL TUBE (LOWER) 4x4x1/4 22'-6" OAL		576.0 lbs.
△	-95M	1 RAIL TUBE (LOWER) 4x4x1/4 21'-6" (SLOTTED ONE END)		275.2 lbs.
△	-32M	1 RAIL TUBE (LOWER) 4x4x1/4 21'-6" OAL		275.2 lbs.
△	-97M	1 RAIL TUBE (LOWER) 4x4x1/4 21'-8 7/8" OAL		278.27 lbs.
△	-19M	1 RAIL TUBE (LOWER) 4x4x1/4 14'-7" (SLOTTED BOTH ENDS)		186.67 lbs.

\* - ANCHORAGE ASSEMBLY BY OTHERS, NOT PROVIDED BY HIGHWAY SAFETY CORP. SHOWN FOR REFERENCE ONLY.



**ELEVATION - NORTH BRIDGE RAIL**  
**FACING NORTH FROM CENTER OF ROADWAY**  
**BRIDGE No. 49N**

PAY LENGTH = 124'-11" (THIS SHEET)  
TOTAL PAY LIMIT ITEM 525.33 (STEEL BRIDGE RAIL, NETC 2-RAIL) = 3730 LF

**CONSTRUCTION NOTE:**  
END OF WINGWALLS HAVE BEEN LOCATED APPROXIMATELY BY VAOT SURVEY. CONTRACTOR SHALL VERIFY REQUIRED RAIL LENGTHS PRIOR TO APPROVAL.

**NOTES:**  
1. ALL DIMENSIONS HAVE BEEN DEVELOPED FROM CONTRACT PLANS ONLY.  
2. CONTRACTOR MUST FIELD-VERIFY DIMENSIONS PRIOR TO APPROVAL.

REVISIONS		
No.	Remarks	Date
0	Initial submittal	4/2/01
1	MISC. CORRECTIONS	1/25/02

**HIGHWAY SAFETY CORP.**  
GLASTONBURY, CT

ITEM 525.33 - BRIDGE RAILING - NETC 2 RAIL  
PROJECT No. IM-089-2(26)  
TOWN OF MIDDLESEX & BOLTON  
I-89 OVER TH 7  
BRIDGE No. 49N

DATE: 03/30/01  
SCALE: NONE  
HSC REFERENCE NO.: 1237

GENERAL CONTRACTOR: WINTERSET, INC.  
SUB CONTRACTOR: F.R. LAFAYETTE, INC.

DRAWN: C.A. Leblanc  
CHECKED: [Signature]  
DATE: 03/30/01  
SCALE: NONE  
HSC REFERENCE NO.: 1237  
SIZE: D  
REVISION: △  
SHEET NO.: 12 of 17