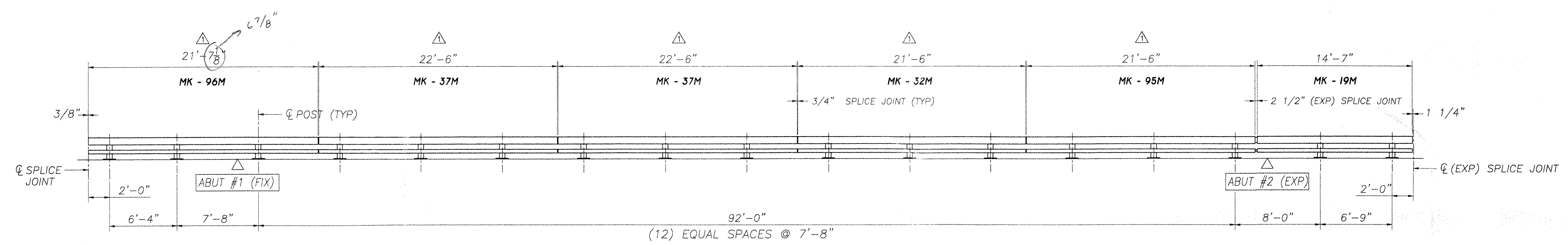


BILL OF MATERIAL				
Mk.	Qty.	Description	Material	Total wgt.
	17	RAIL POST W6x25 WITH BASE PLATE		1581 lbs.
*	17	ANCHORAGE ASSEMBLY WITH PLATE (4) ANCHOR STUDS & HARDWARE *		459 lbs.
△	5	UPPER RAIL SPLICE TUBE 7x3x3/8 (1'-8" OAL)		158 lbs.
△	5	LOWER RAIL SPLICE TUBE 3x3x5/16 (1'-8" OAL)		74 lbs.
	17	1/8" THICK BEARING PAD		8.5 lbs.
	68	3/4" DIA x 6" LG. ROUND-SLOTTED HEAD BOLT WITH WASHER & LOCKNUT		58.48 lbs.
△	40	5/8" DIA x 1 3/4" HEX HEAD BOLT WITH HARDENED WASHER		8.96 lbs.
	8	3/4" SCH 40 SPACER PIPE x 1/2" LONG		.56 lbs.
△	-37M	2 RAIL TUBE (UPPER) 8x4x5/16 22'-6" OAL		1102.5 lbs.
△	-96M	1 RAIL TUBE (UPPER) 8x4x5/16 21'-7 1/8" OAL		529.05 lbs.
△	-95M	1 RAIL TUBE (UPPER) 8x4x5/16 21'-6" (SLOTTED ONE END)		526.75 lbs.
△	-32M	1 RAIL TUBE (UPPER) 8x4x5/16 21'-6" OAL		526.75 lbs.
△	-19M	1 RAIL TUBE (UPPER) 8x4x5/16 14'-7" (SLOTTED BOTH ENDS)		357.29 lbs.
△	-37M	2 RAIL TUBE (LOWER) 4x4x1/4 22'-6" OAL		576.0 lbs.
△	-96M	1 RAIL TUBE (LOWER) 4x4x1/4 21'-7 1/8" OAL		276.4 lbs.
△	-95M	1 RAIL TUBE (LOWER) 4x4x1/4 21'-6" (SLOTTED ONE END)		275.2 lbs.
△	-32M	1 RAIL TUBE (LOWER) 4x4x1/4 21'-6" OAL		275.2 lbs.
△	-19M	1 RAIL TUBE (LOWER) 4x4x1/4 14'-7" (SLOTTED BOTH ENDS)		188.67 lbs.

* - ANCHORAGE ASSEMBLY BY OTHERS, NOT PROVIDED BY HIGHWAY SAFETY CORP. SHOWN FOR REFERENCE ONLY.



Operate to 21'-6 7/8"

ELEVATION - SOUTH BRIDGE RAIL FACING SOUTH FROM CENTER OF ROADWAY BRIDGE No. 49N

PAY LENGTH = 124'-9" (THIS SHEET)
TOTAL PAY LIMIT ITEM 525.33 (STEEL BRIDGE RAIL, NETC 2-RAIL) = 3730 LF

TVGA
Engineering, Surveying, P.C.

NO EXCEPTIONS TAKEN REJECTED
 FURNISH AS CORRECTED
 REVISE AND RESUBMIT

ENGINEER has reviewed Shop Drawings and Samples and other data which Contractor is required to submit, only for conformance with the information given in the Contract Documents and compatibility with the design concept of the completed Project as a functioning whole as indicated in the Contract Documents. Such reviews do not extend to means, methods, techniques, sequences or procedures of construction or to safety precautions and programs incident thereto. Contractor is responsible for dimensions to be confirmed and correlated at the job site; for information that pertains solely to the fabrication processes or to techniques of construction; and for coordination of the work of all trades.

BY: MAA
DATE: 02-05-2002

CONSTRUCTION NOTE:
END OF WINGWALLS HAVE BEEN LOCATED APPROXIMATELY BY VAOT SURVEY. CONTRACTOR SHALL VERIFY REQUIRED RAIL LENGTHS PRIOR TO APPROVAL.

NOTES:
1. ALL DIMENSIONS HAVE BEEN DEVELOPED FROM CONTRACT PLANS ONLY.
2. CONTRACTOR MUST FIELD-VERIFY DIMENSIONS PRIOR TO APPROVAL.

REVISIONS		
No.	Remarks	Date
0	Initial submittal	4/2/01
1	MISC. CORRECTIONS	1/25/02

HIGHWAY SAFETY CORP.
GLASTONBURY, CT

ITEM 525.33 - BRIDGE RAILING - NETC 2 RAIL
PROJECT No. IM-089-2(26)
TOWN OF MIDDLESEX & BOLTON
1-89 OVER TH 7
BRIDGE No. 49N

GENERAL CONTRACTOR: WINTERSET, INC.
SUB CONTRACTOR: F.R. LAFAYETTE, INC.

DRAWN: C.A. Leblanc
CHECKED: Paul L.
DATE: 03/30/01
SCALE: NONE
HSC REFERENCE NO.: 1237
SIZE: D
REVISION: 1
SHEET NO.: 11 of 17

611 BR49N