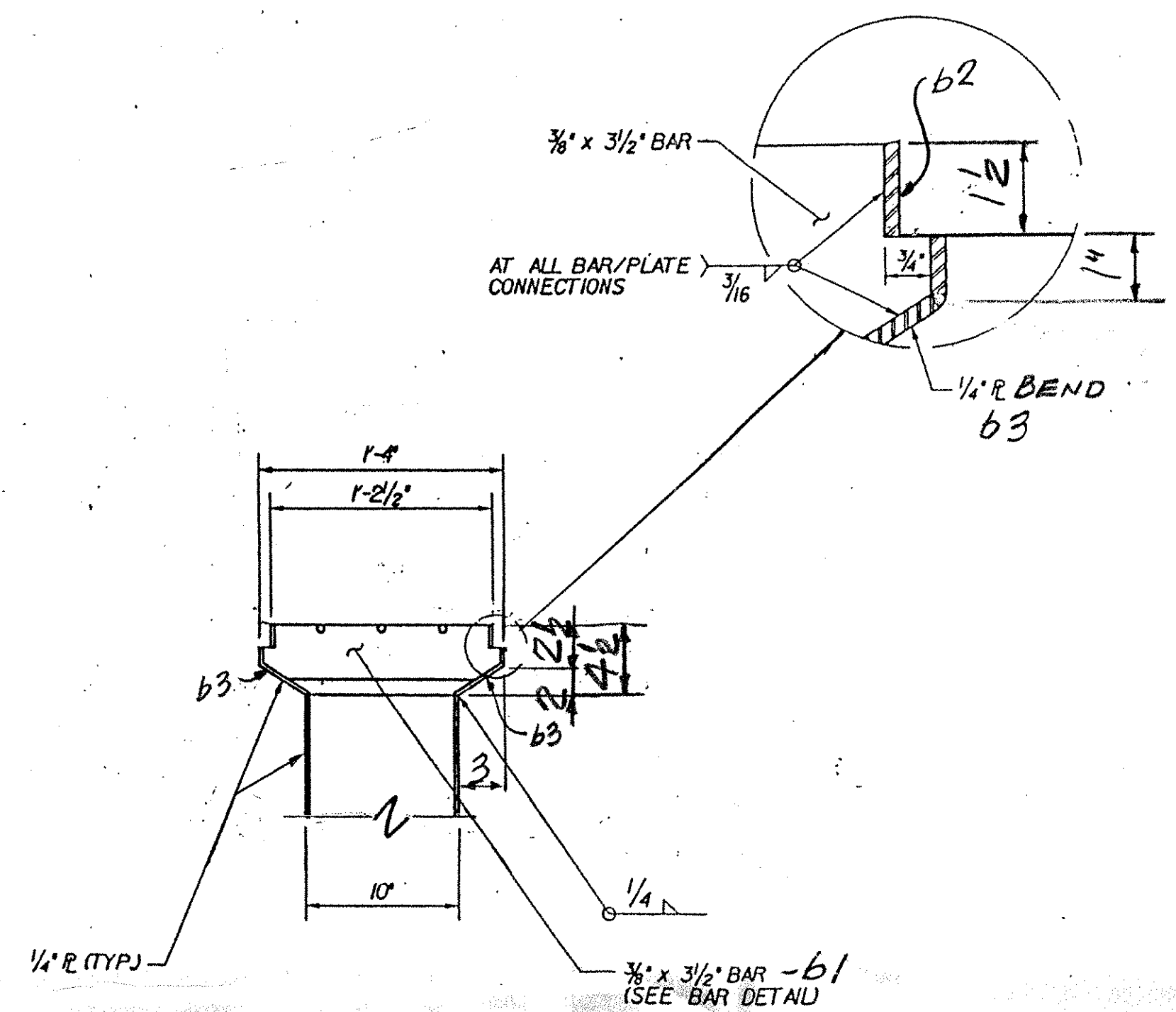
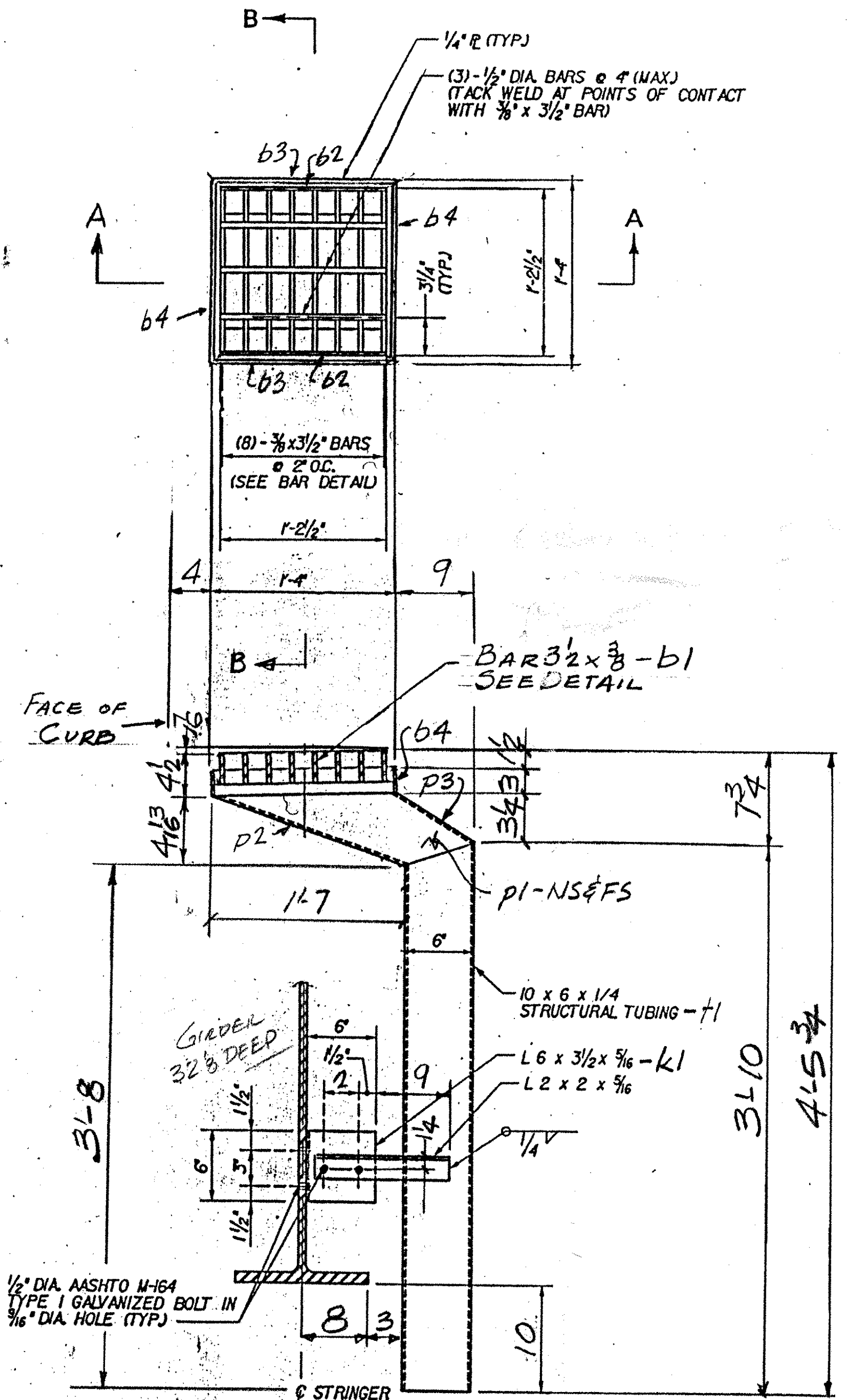
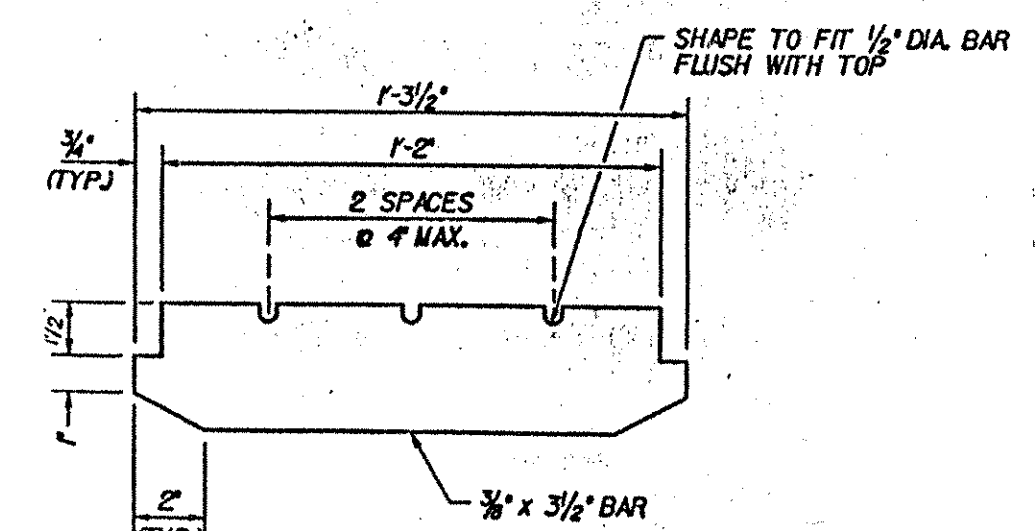


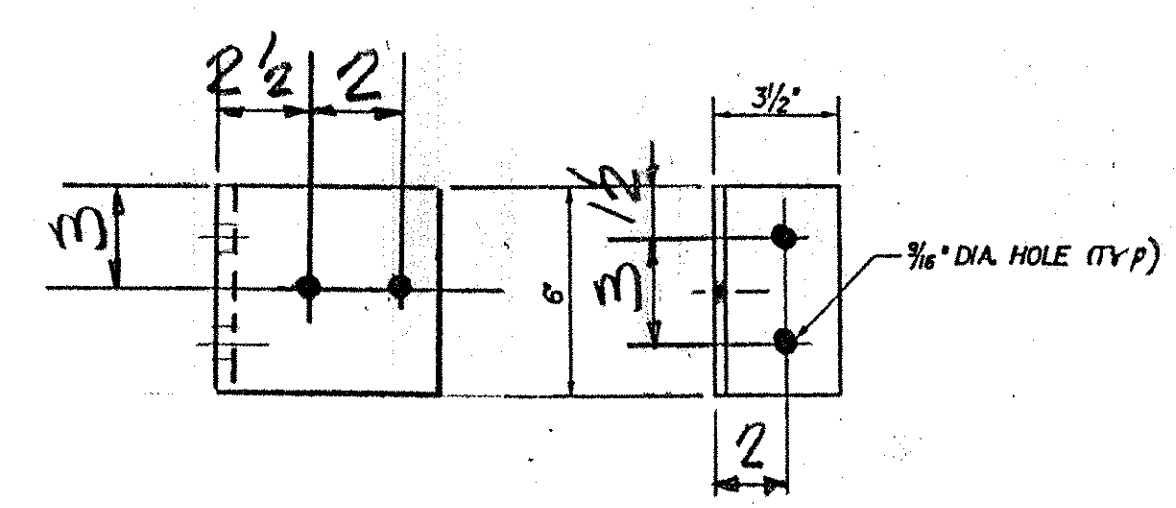
ABM INFO		SHOP BILL		JOB NO.	DRG. NO.				
PAGE	LINE	NO.	DESCRIPTION	FT	IN	ASSEM. MARK	SHIPPING MARK	REMARKS	WEIGHT
	1		SCUPPER	4	6		5505		
		1	TS 10x6x4	3	10	f1			
		3	BAR 3/2 x 3/8	1	3/2	b1			
		2	BAR 1/2 x 1/4	1	4	b2			
		2	BAR 1/2 x 1/4	1	4	b3		BEND.	
		2	BAR 3 x 4	1	3/2	b4			
		3	1/2" BAR	1	2 1/2	f1			
		2	L6 x 5/4	2	1	p1			
		1	L6 x 9/2	1	7/2	p2			
		1	DO	1	9/2	p3			
		1	L6 x 3/2 x 4	6		k1			
		1	L2 x 2 x 5/16	1	3	k2			



SECTION B-B



DETAIL - BAR b1



DETAIL - k1  
SHOP BOLT TO k2 FOR SHIPMENT

5505-ONE REQ'D

PAY ITEM 506.55

OUT FOR APPROVAL	2-2-01								
ISSUED TO SHOP									
FIELD & OFFICE									

REV.	REMARKS	DATE	DWN	CHK	APP	Q.A.	NO.	DIA.	LGT	TYPE	WASHER
	PROJECT NO. IM-089-2 (26) STATE BRIDGE NO. 505										
	MATERIAL: M220636 ELECTRODES: PER HOLES: AS NOTED SHOP BOLTS: 2 HS.										
	SURFACE PREP. & PAINT:										

GALVANIZED AFTER FAB.

DESCRIPTION: SCUPPER DETAILS	DRAWN BY	DATE
JOB: BRIDGE 505	JPF	2-01
I 89 OVER U.S. ROUTE 12	CHKD BY	
MIDDLESEX-BOLTON, VT.	EJ	
	APPROV BY	
	Q.A.	
CUSTOMER: WINTER SET INC.		
CASCO BAY STEEL STRUCTURES, INC.	JOB NO.	DRG. NO.
75 SPRING HILL ROAD SACO, MAINE 04072	127-505	SC1
PHONE (207) 282-7360 FAX. (207) 282-1179		

TVGA  
Engineering, Surveying, P.C.

NO EXCEPTIONS TAKEN  REJECTED  
 FINISH AS CORRECTED  
 REVISE AND RESUBMIT

ENGINEER has reviewed Shop Drawings and Samples and other data which Contractor is required to submit, and for compliance with the provisions given in the Contract Documents and compliance with the design details in the Contract Documents. Shop drawings are to be reviewed, checked, approved or rejected by the Engineer. Contractor is responsible for obtaining the necessary permits and for the installation and for the completion of the work at all times.

BY: W. S. E.  
DATE: 2/19/01