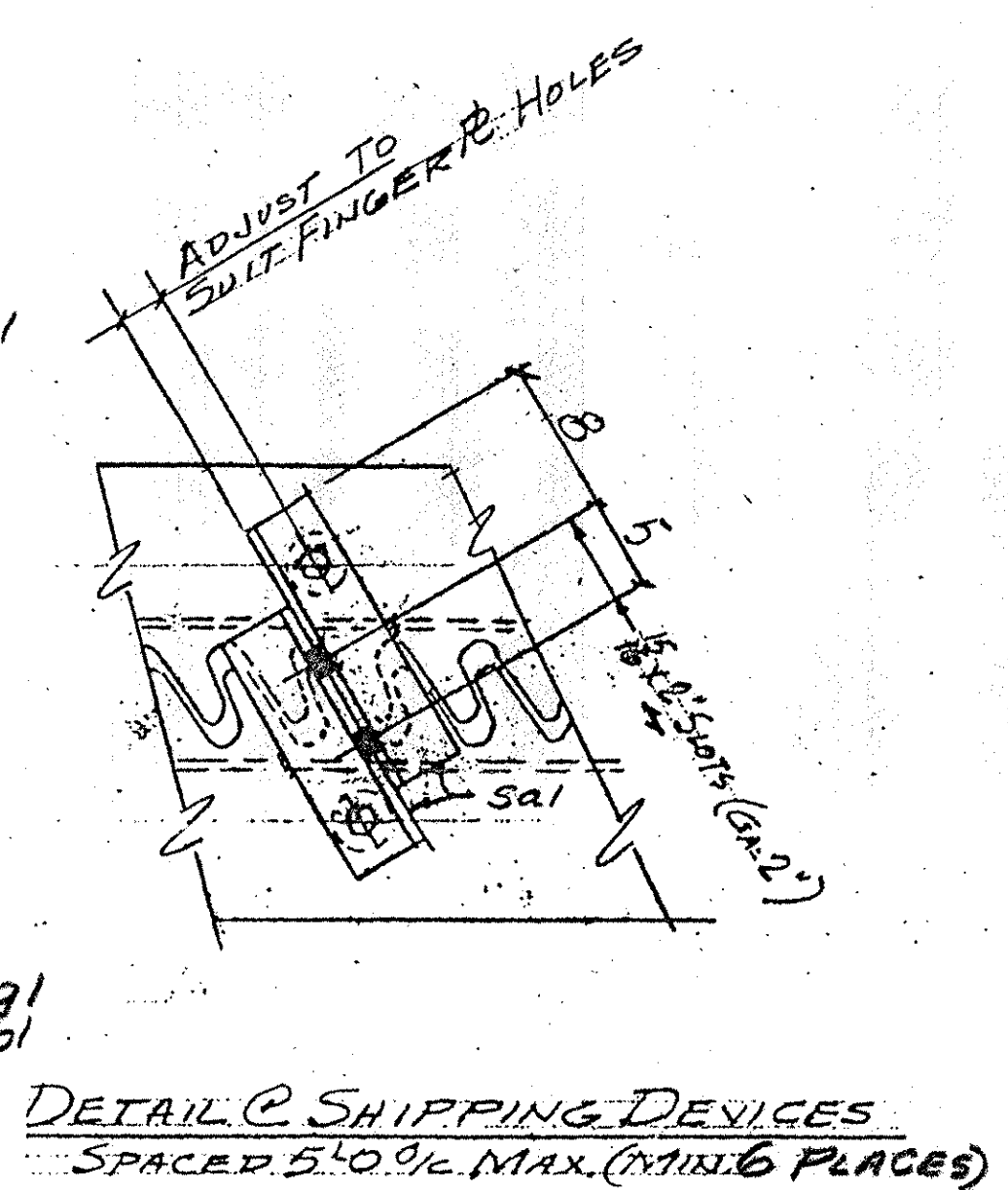
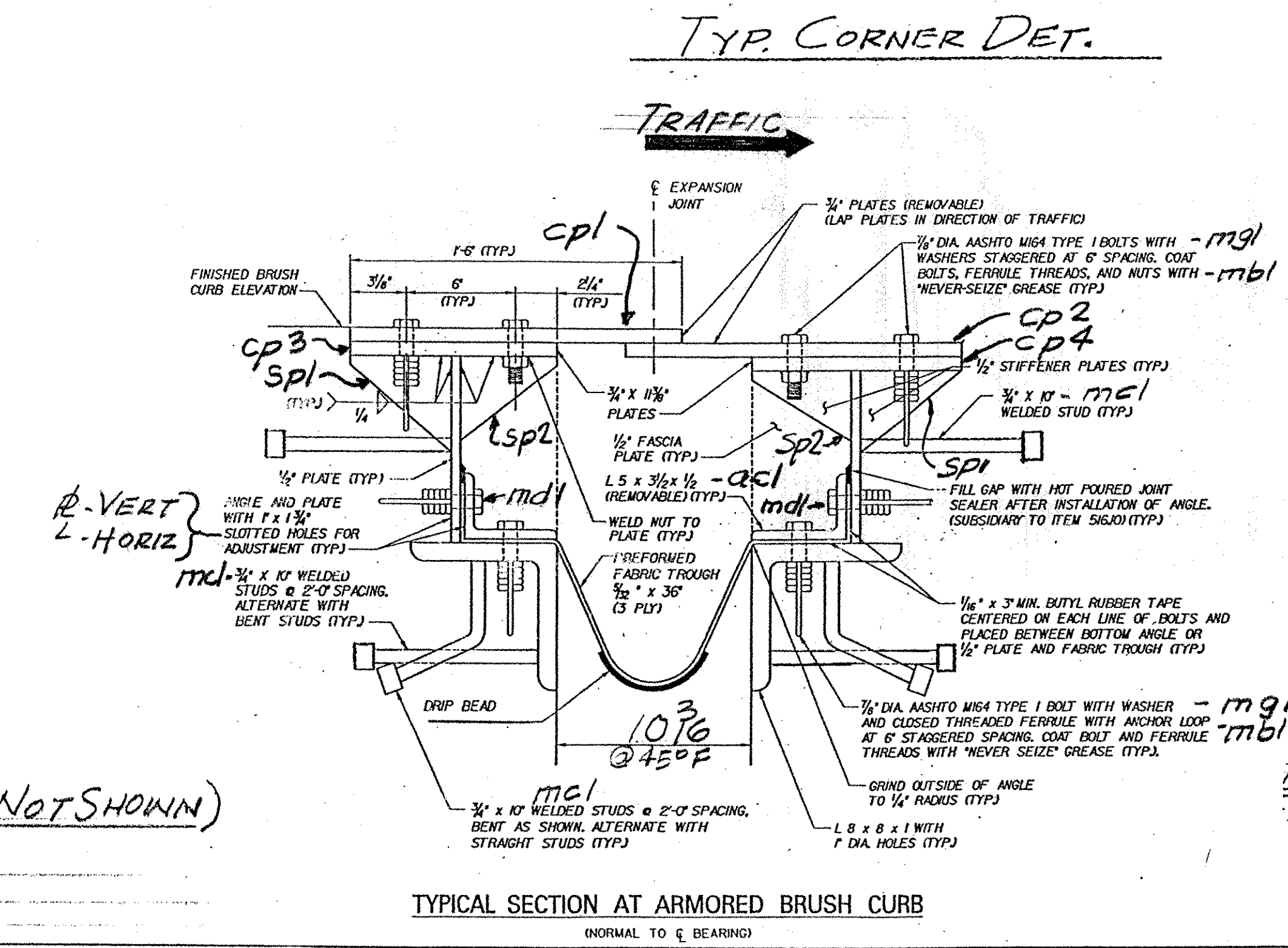
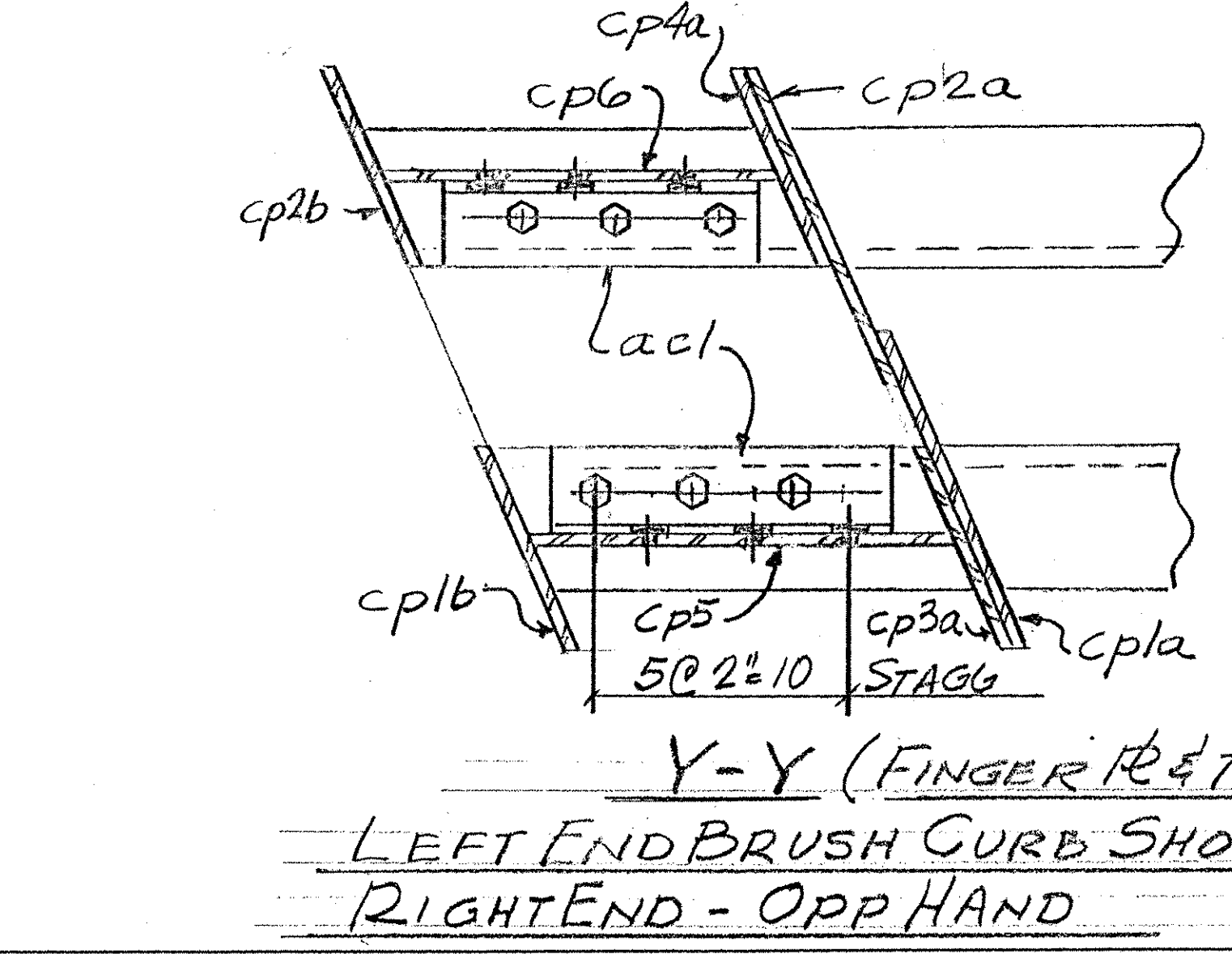


TVGA
Engineering, Surveying, P.C.
 NO EXCEPTIONS TAKEN REJECTED
 FURNISH AS CORRECTED
 REVISE AND RESUBMIT
ENGINEER has reviewed Shop Drawings and Samples and other data which Contractor is required to submit, only for conformance with the information given in the Contract Documents and compliance with the design concept of the Contract Documents. Such review is not intended to constitute or to be taken as a warranty, or a procedure of construction or to safety precautions and programs incident thereto. Contractor is responsible for dimensions to be confirmed and controlled at the job site for information that construction and for coordination of the work of all trades.
BY: P. W. S.
DATE: 4/9/01

WORK THIS DWG.
W/ DWG J2



OUT FOR APPROVAL	3-14-01									
ISSUED TO SHOP										
FIELD & OFFICE										
REV. REMARKS	DATE	DWN	CHK	APP	Q.A.	NO.	DIA.	LGT	TYPE	WASHER
PROJECT NO. IM-089-2(26)	STATE BRIDGE NO. 48N									
MATERIALS: AASHTO	ELECTRODES: PER SPEC									
SURFACE PREP. & PAINT: GALVANIZED AFTER FAB. V.N.										
DESCRIPTION: EXP. JOINT - ABUT. 2	DRAWN BY		DATE							
JOB: BRIDGE 48N	JPF		2-01							
I 89 OVER LITTLE RIVER	CHKD BY									
MIDDLESEX-BOLTON, VT.	APPROV BY									
CUSTOMER: WINTER SET INC.	Q.A.									
CASCO BAY STEEL STRUCTURES, INC.	JOB NO.		DRG. NO.							
75 SPRING HILL ROAD SACO, MAINE 04072	12548N		J2A							
PHONE (207) 282-7360 FAX. (207) 282-1179	REV.		△							