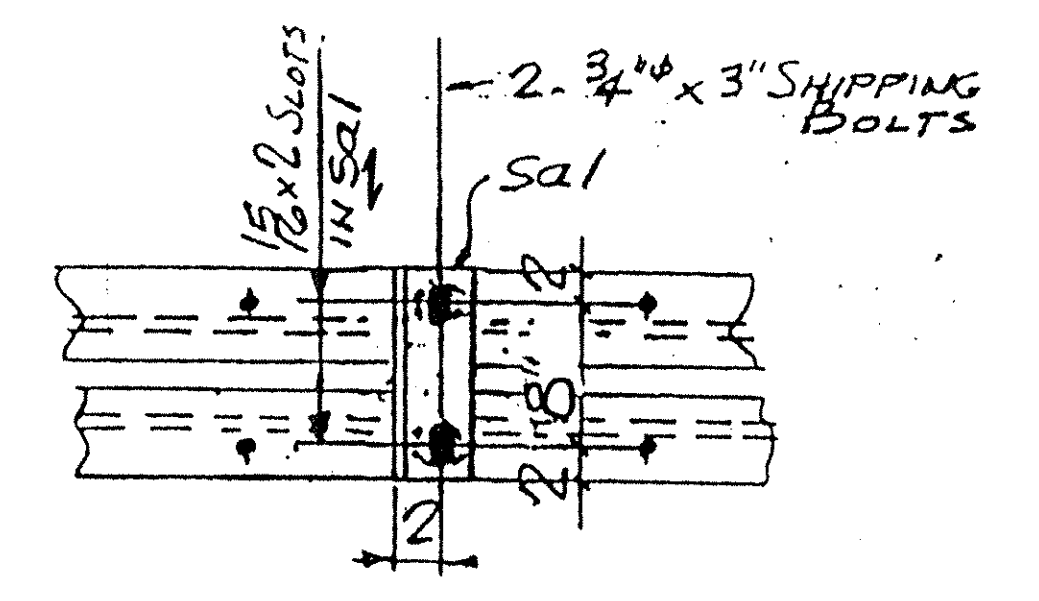
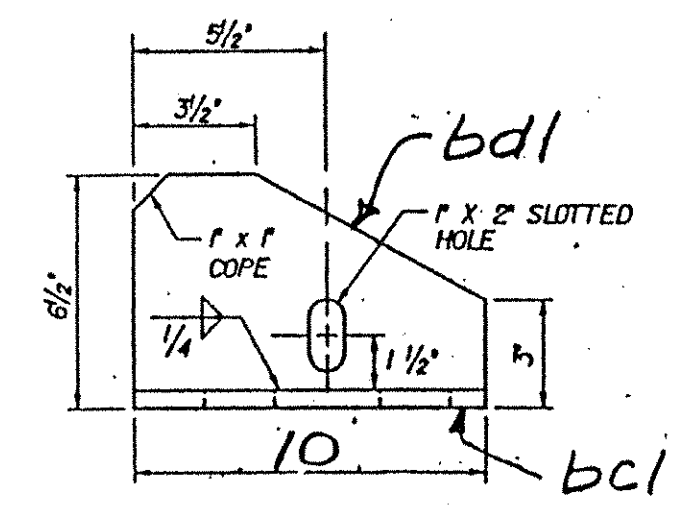


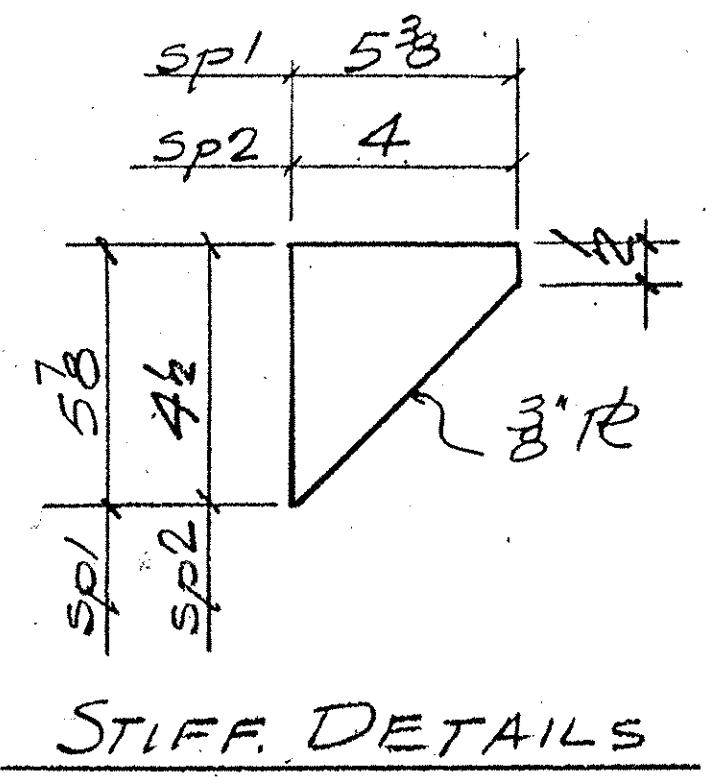
BRACKET PLAN



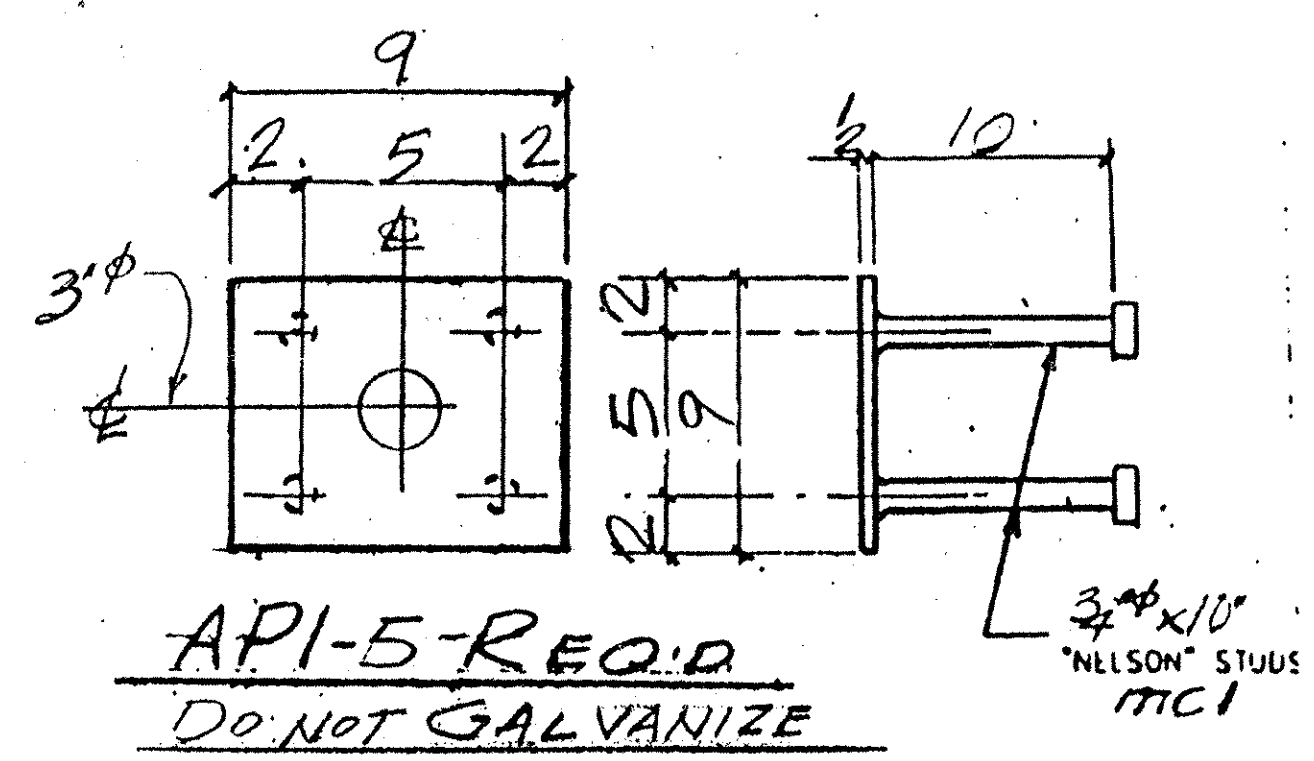
SHIPPING DEVICE
SPACED 540.00. MAX (9 REQ'D)
EA JNT.



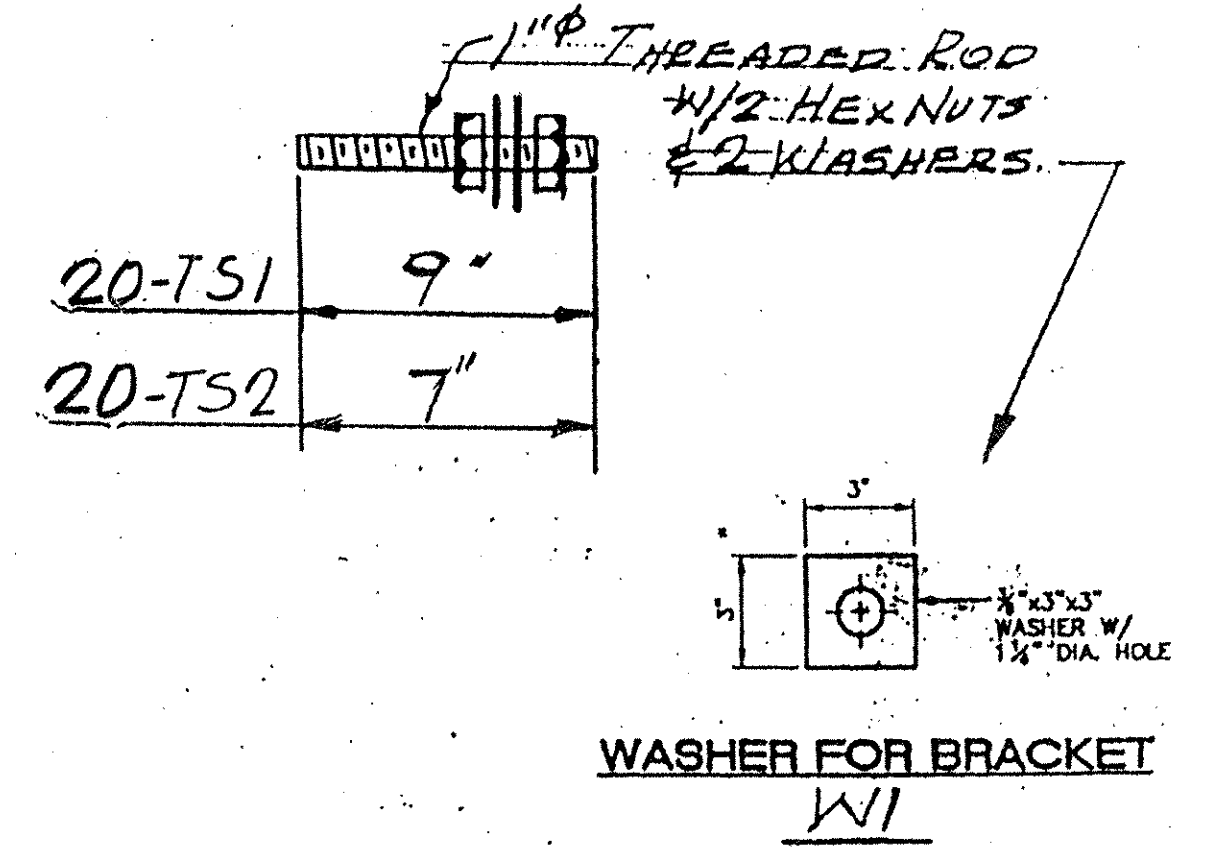
BRACKET ELEVATION



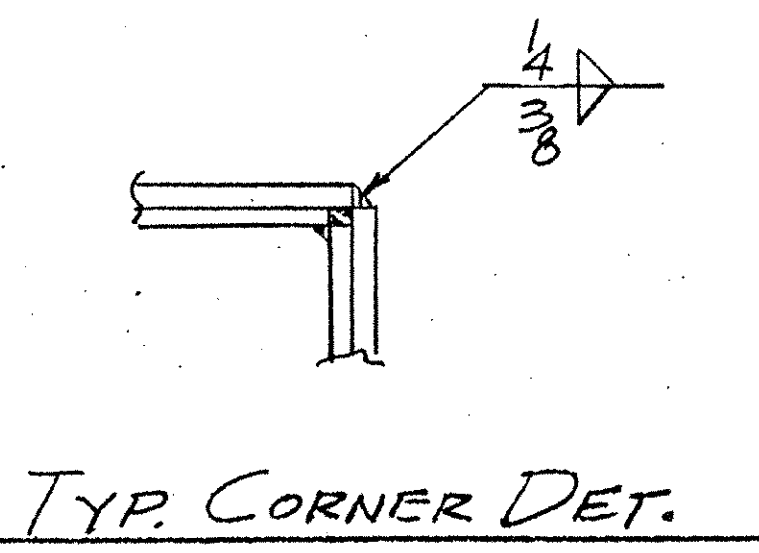
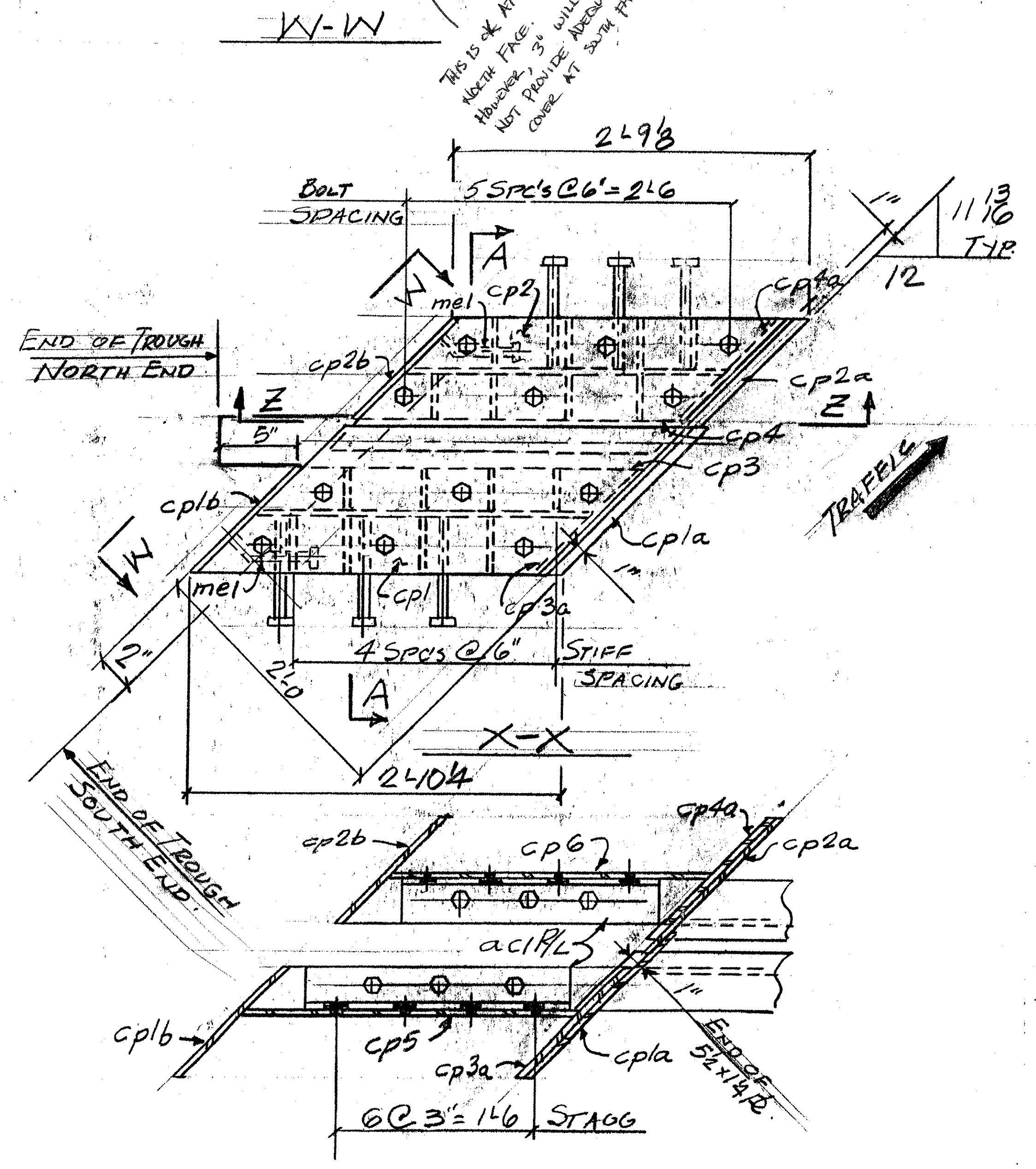
STIFF. DETAILS



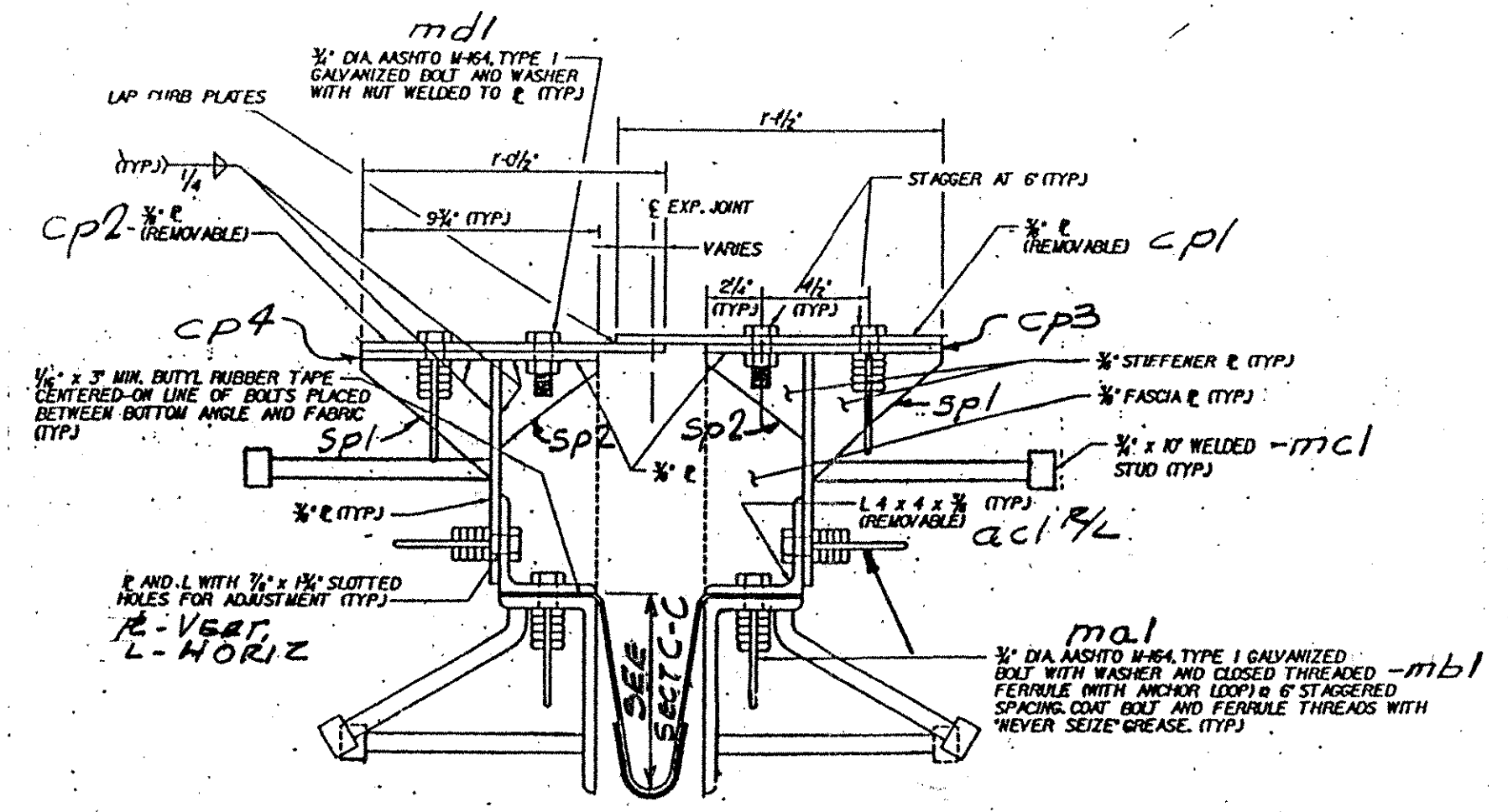
API-5 REQ'D
DO NOT GALVANIZE



WASHER FOR BRACKET
W1



TYP. CORNER DET.



A-A

TVGA
Engineering, Surveying, P.C.

NO EXCEPTIONS TAKEN REJECTED
 FURNISH AS CORRECTED
 REVISE AND RESUBMIT

ENGINEER has reviewed Shop Drawings and Samples and other data which Contractor is required to submit, only for conformance with the information given in the Contract Documents. Such review is not intended to insure methods, techniques, sequences or procedures of construction or to safety precautions and programs incident thereto. Contractor is responsible for dimensions to be confirmed and correlated at the job site, for information that pertains safety to the fabrication processes or to techniques of construction, and for coordination of the work of all trades.

BY: Pat W. SE
DATE: 2/13/21

WORK THIS DWG. W/ DWG. J1

OUT FOR APPROVAL	1-26-01																		
OUT FOR APPROVAL																			
ISSUED TO SHOP																			
FIELD & OFFICE																			
REV.	REMARKS	DATE	DWN	CHK	APP	Q.A.	NO.	DIA.	LGT	TYPE	WASHER								
	PROJECT NO. IM-089-2 (26) STATE BRIDGE NO. 435																		
	MATERIAL M2 TO G236																		
	SURFACE PREP. & PAINT:																		
	GALVANIZED AFTER FAB																		
	DESCRIPTION: EXP. JOINT-ABUT. 1																		
	JOB: BRIDGE-435																		
	I 89 OVER U.S. ROUTE 2																		
	MIDDLESEX-BOLTON VT																		
	CUSTOMER: WINTERSET INC.																		
	CASCO BAY STEEL STRUCTURES, INC.																		
	75 SPRING HILL ROAD SAGO, MAINE 04072																		
	PHONE (207) 282-7360 FAX (207) 282-1179																		
	JOB NO. 124-435																		
	DRG. NO. J1A																		
	REV.																		