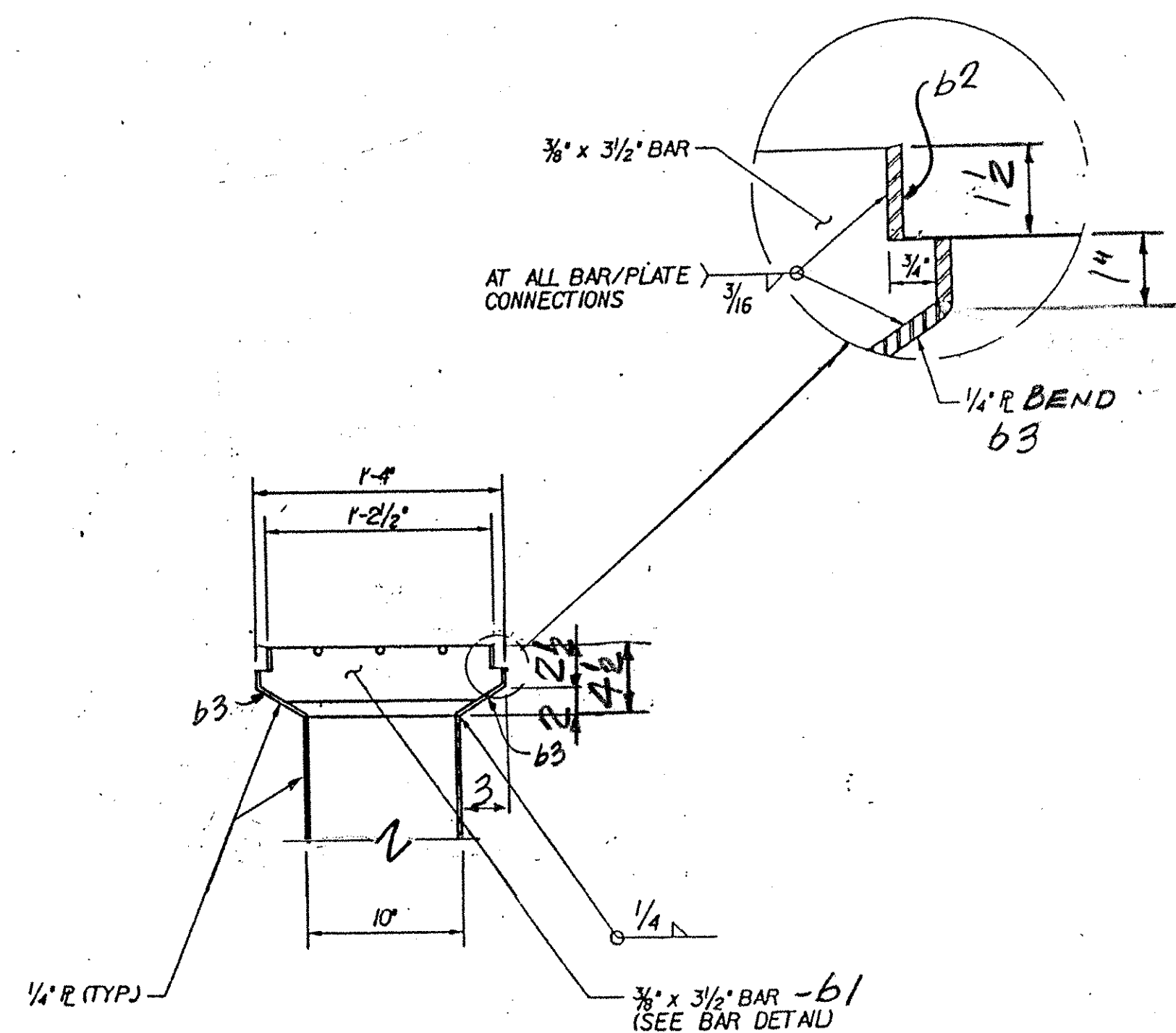
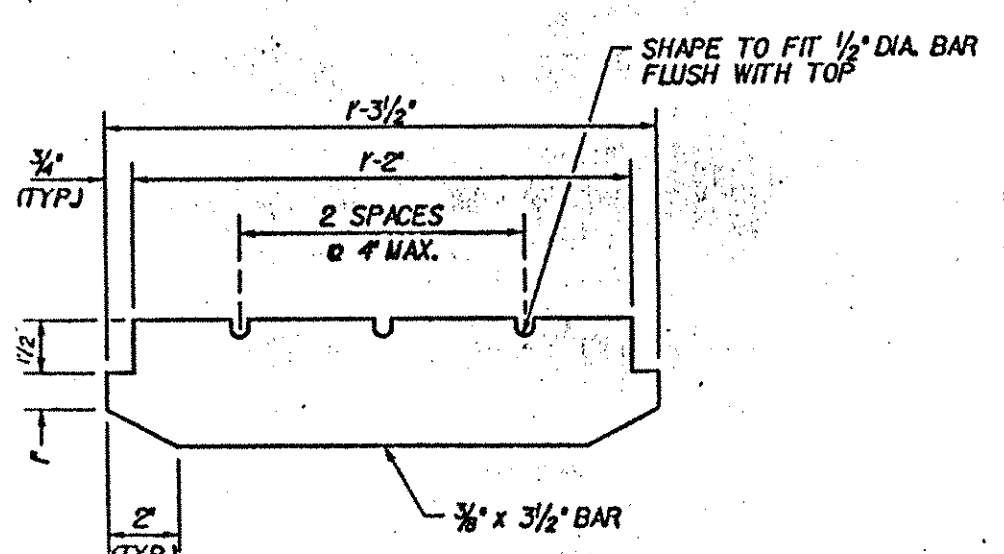


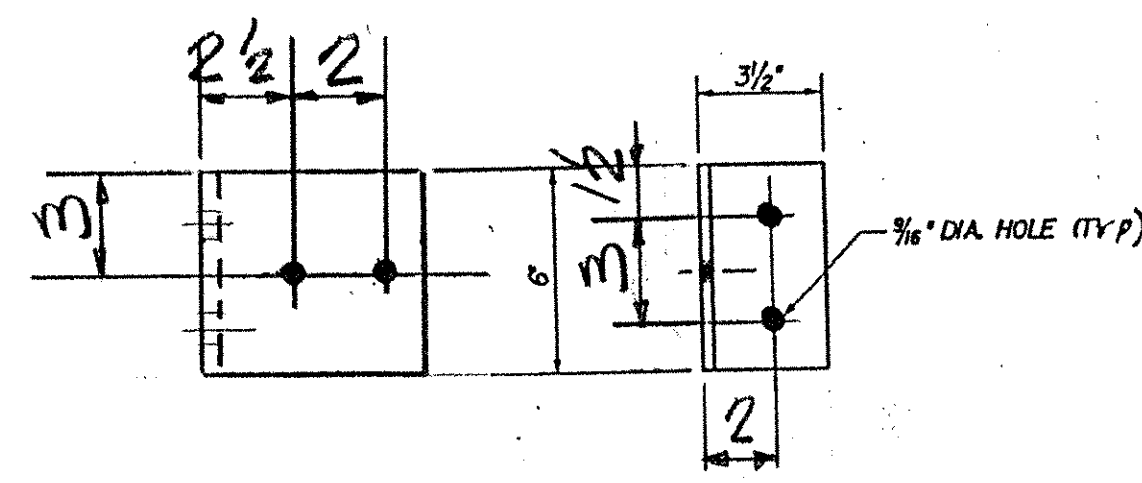
550S-ONE REQ'D



SECTION B-B



DETAIL - BAR b1



DETAIL - K1

SHOP BOLT TO K2 FOR SHIPMENT

SHOP BILL				JOB NO. 127-505	DRG. NO. SC1				
PAGE	LINE	NO.	DESCRIPTION	FT	IN	ASSEM. MARK	SHIPPING MARK	REMARKS	WEIGHT
	1		SCUPPER	4	6	#	5505		
	1	TS	10x6x4	3	10	#1			97.52
	8	BAR	3/2 x 3/8	1	3/2	b1			46.09
	2	BAR	1/2 x 1/4	1	4	b2			3.42
	2	BAR	4x4	1	4	b3		BEND.	10.19
	2	BAR	3 x 4	1	3/2	b4			3.29
	3	1/2\"/>							
	2	L	4 x 5/4	2	1	b1			19.59
	1	L	4 x 9/2	1	7/2	b2			18.75
	1	DO			9/2	b3			6.79
	1	L	6 x 3 1/2 x 4		6	k1			3.95
	1	L	2 x 2 x 3/8		1	3	k2		4.70
505 - SCUPPER PL									210

PAY ITEM 506.55

OUT FOR APPROVAL	2-2-01
ISSUED TO SHOP	
FIELD & OFFICE	

REV.	REMARKS	DATE	DWN	CHK	APP	Q.A.	NO.	DIA.	LGT	TYPE	WASHER
PROJECT NO. IM-089-2 (20) STATE BRIDGE NO. 505											
MATERIAL: AASHTO M-164 TYPE I GALVANIZED BOLT IN 3/16\"/>											
SURFACE PREP. & PAINT:											

GALVANIZED AFTER FAB.

DESCRIPTION: SCUPPER DETAILS	DRAWN BY: JPF	DATE: 2-01
JOB: BRIDGE 505	CHKD BY: EJ	
I-89 OVER U.S. ROUTE 2	APPROV BY:	
MIDDLESEX-BOLTON, VT.	Q.A.	

CUSTOMER: WINTER SET INC.	JOB NO. 127-505	DRG. NO. SC1
CASCO BAY STEEL STRUCTURES, INC.	75 SPRING HILL ROAD	SACO, MAINE 04072
PHONE (207) 282-7360	FAX (207) 282-1179	REV. Δ

TVGA  
Engineering, Surveying, P.C.  
NO EXCEPTIONS TAKEN  
ENGINEER has reviewed Shop Drawings and Samples and either certifies that they conform to the contract documents and specifications or indicates in the Contract Documents, each revision, and means, methods, techniques, equipment or procedures of construction or for safety precautions and programs incident thereto. Contractor is responsible for dimensions to be confirmed and controlled at the job site; for information that pertains solely to the fabrication processes or to techniques of construction; and for coordination of the work of all trades.  
DATE: 4/9/01