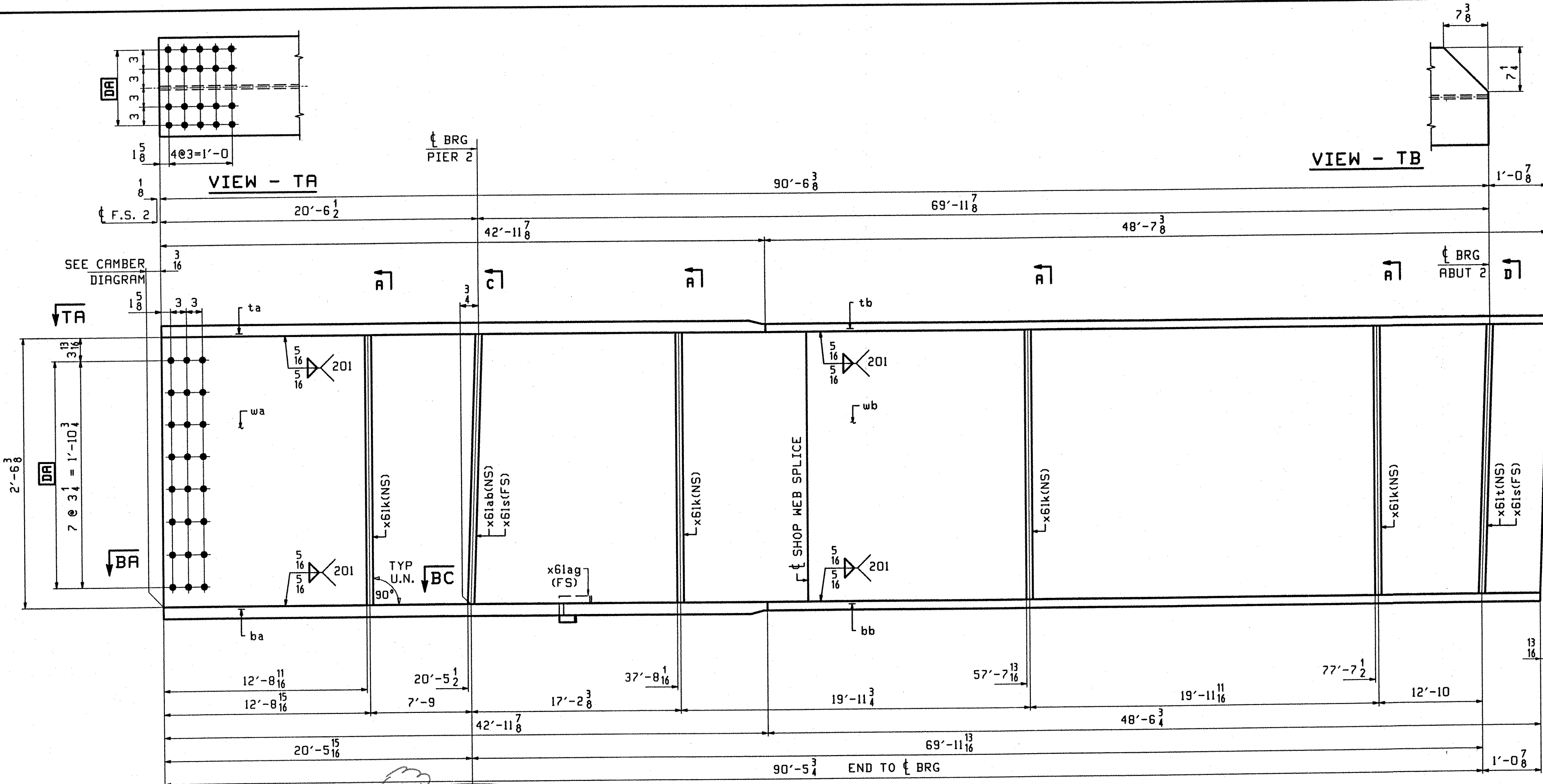


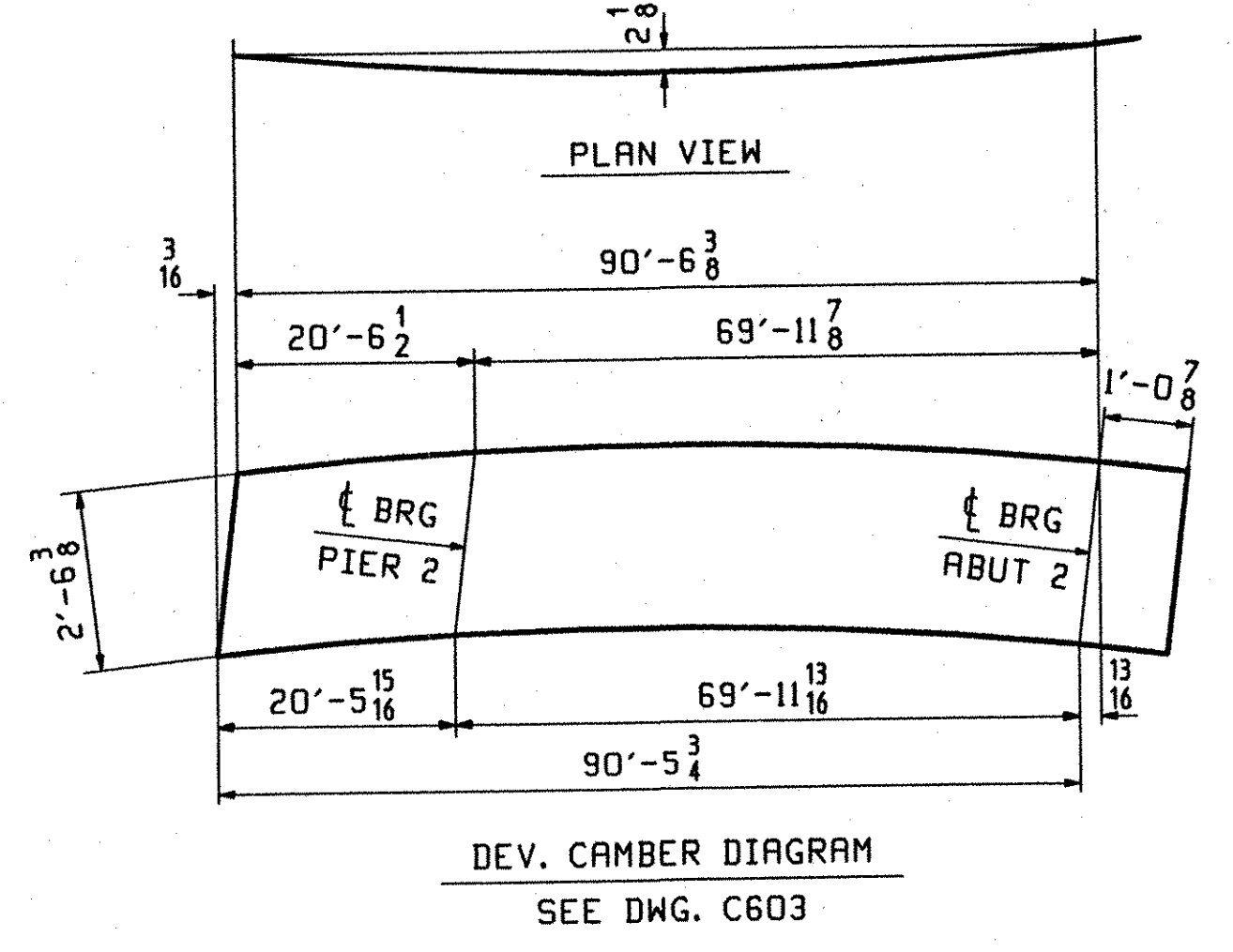
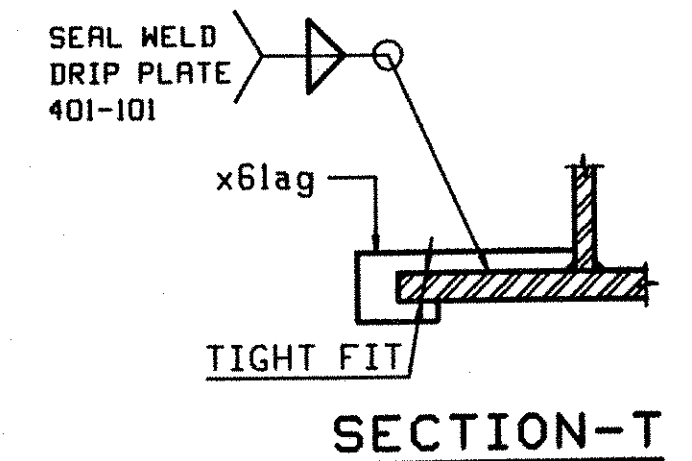
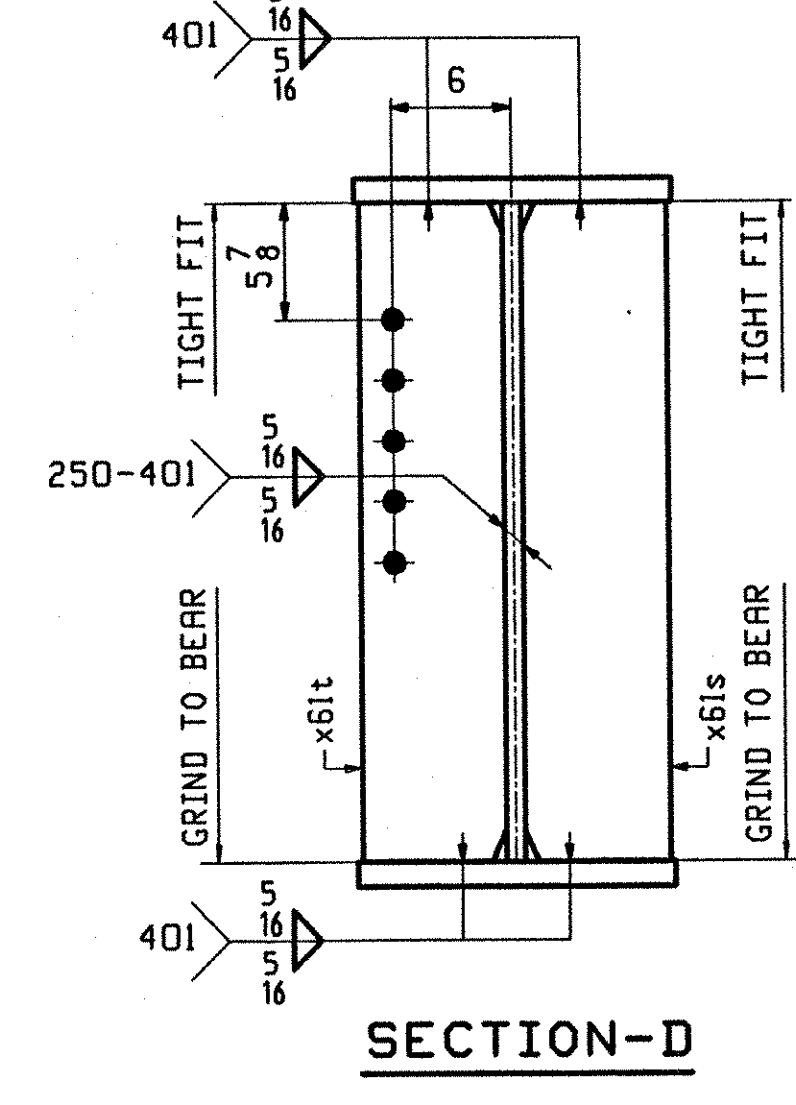
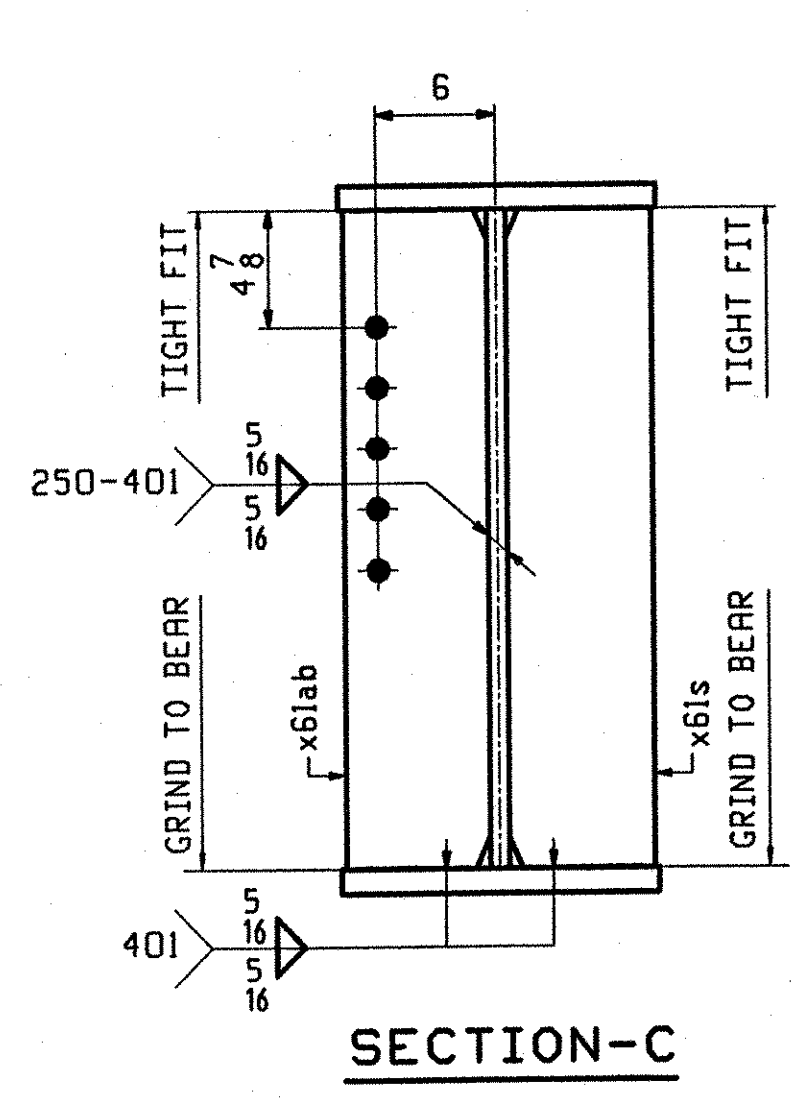
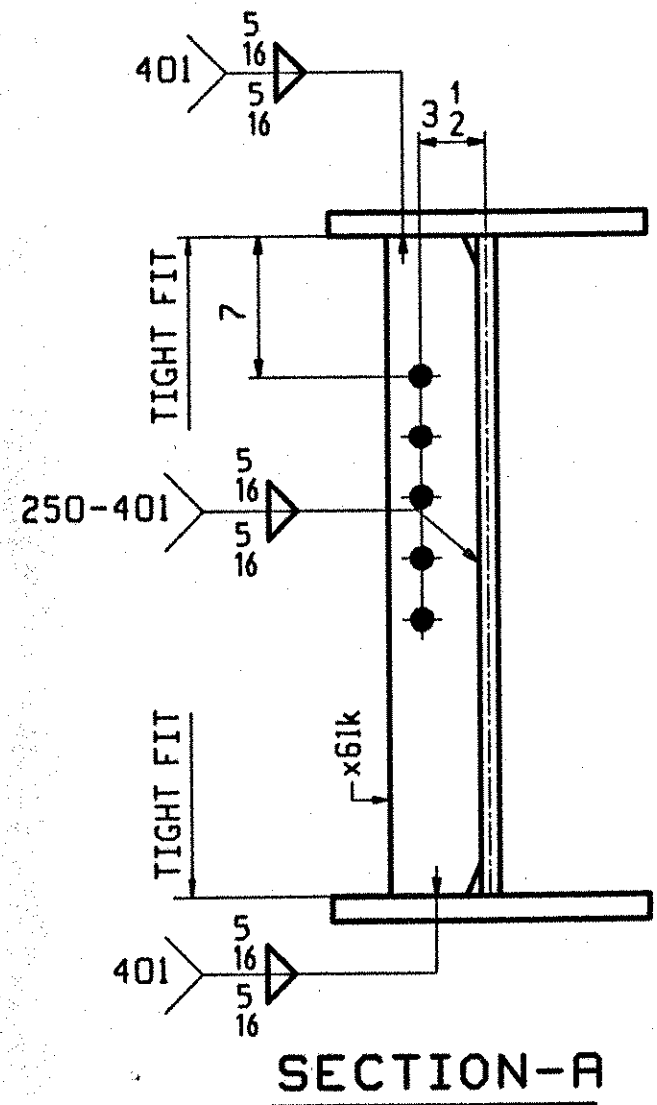
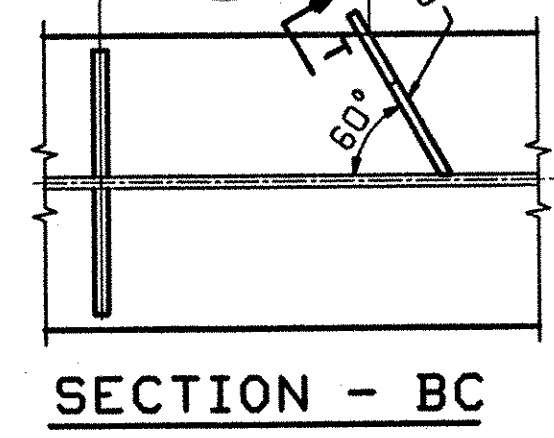
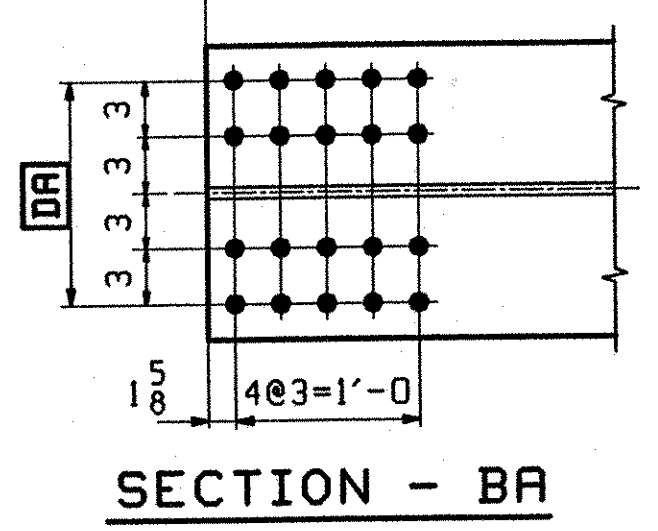
PAGE	LINE	MARK	QTY	MARK	MATERIAL	LENGTH		REMARKS	WT	PROCUREMENT NOTES
						FT	INCHES			
				GIC	1	GIRDER			15987	
602	S		1	wa	PL 1/2 x 3 1/4	45	7/8	(M270-50W)2		
602	J		1	wb	PL 1/2 x 3 1/4	45	11/16	(M270-50W)2		
601	A		1	ta	PL 1/2 x 16	42	11/16	(M270-50W)2		
601	S		1	tb	PL 1/2 x 16	48	7/8	(M270-50W)2		
601	A		1	ba	PL 1/2 x 16	42	11/16	(M270-50W)2		
601	S		1	bb	PL 1/2 x 16	48	6/4	(M270-50W)2		
603	N		4	x61k	PL 1/2 x 5	2	6/8	(M270-50W)		
603	M		1	x61ab	PL 1/2 x 7 1/4	2	6/8	(M270-50W)		
603	M		2	x61s	PL 1/2 x 7 1/4	2	6/8	(M270-50W)		
603	M		1	x61t	PL 1/2 x 7 1/4	2	6/8	(M270-50W)		
603	P		1	x61ag	PL 1/2 x 3 1/4	0	10 1/16	(M270-50W)		



SEE CAMBER DIAGRAM

ONE - GIRDER - G1C

1. FOR GIRDER STANDARD DETAILS SEE DRAWING X61.
2. FOR CAMBER AND FLANGE DIAGRAMS SEE DRAWING C603.
3. FOR HORIZONTAL CURVING DIAGRAM SEE DRAWING HC601.
4. FOR GENERAL NOTES SEE DRAWING GNS01.



TVGA
Engineering, Surveying, P.C.

NO EXCEPTIONS TAKEN REJECTED
 FURNISH AS CORRECTED
 REVISE AND RESUBMIT

ENGINEER has reviewed Shop Drawings and Samples and other data which Contractor is required to submit for conformance with the information given in the Contract Documents and responsibility with the reasonability of the completed Project as a functioning whole as indicated in the Contract Documents. Such review is limited to errors, methods, techniques, sequences or procedures of construction or to safety precautions and programs incident thereto. Contractor is responsible for dimensions to be confirmed and controlled at the job site; for information that pertains solely to the fabrication processes or to techniques of construction; and for coordination of the work of all trades.

BY: *[Signature]*
DATE: 07-16-2002

OUT FOR APPROVAL	10-9-01									
OUT FOR APPROVAL										
ISSUED TO SHOP										
FIELD & OFFICE										
REV. REMARKS	DATE	DWN	CHK	APP	Q.A.	NO.	DIA.	LGT	TYPE	WASHER
MATERIAL:	ELECTRODES:		HOLES:		SHOP BOLTS:					
M270 GR 50W			15/16 φ (UN)		7/8 φ (UN)					
SURFACE PREP. & PAINT:										
-STEEL WITHIN 10'-0" OF ABUT 2 SHALL BE PAINTED (SEE GNS01)										
-ALL OTHER STEEL SHALL BE BLAST CLEANED AND LEFT UNPAINTED.										
DESCRIPTION:	GIRDER - G1C							DRAWN BY	DATE	
JOB:	BRIDGE NO. 50N							BW	09/25	
	I-89 NB OVER U.S. ROUTE 2							CHKD BY		
	I-89 IMPROVEMENTS							DO	09/28	
	TOWN OF MIDDLESEX-BOLTON, VERMONT							APPROV BY		
								SUPERVISOR	M. J. GATTI	
PROJ NO.	IM-089-2(26)									
CUSTOMER: VERMONT AGENCY OF TRANSPORTATION										
CASCO BAY STEEL STRUCTURES, INC.										
75 SPRING HILL ROAD			SACO, MAINE 04072			JOB NO.		DRG. NO.		
PHONE (207) 282-7360			FAX (207) 282-1179			123-50N		611		
										REV. <input type="checkbox"/>