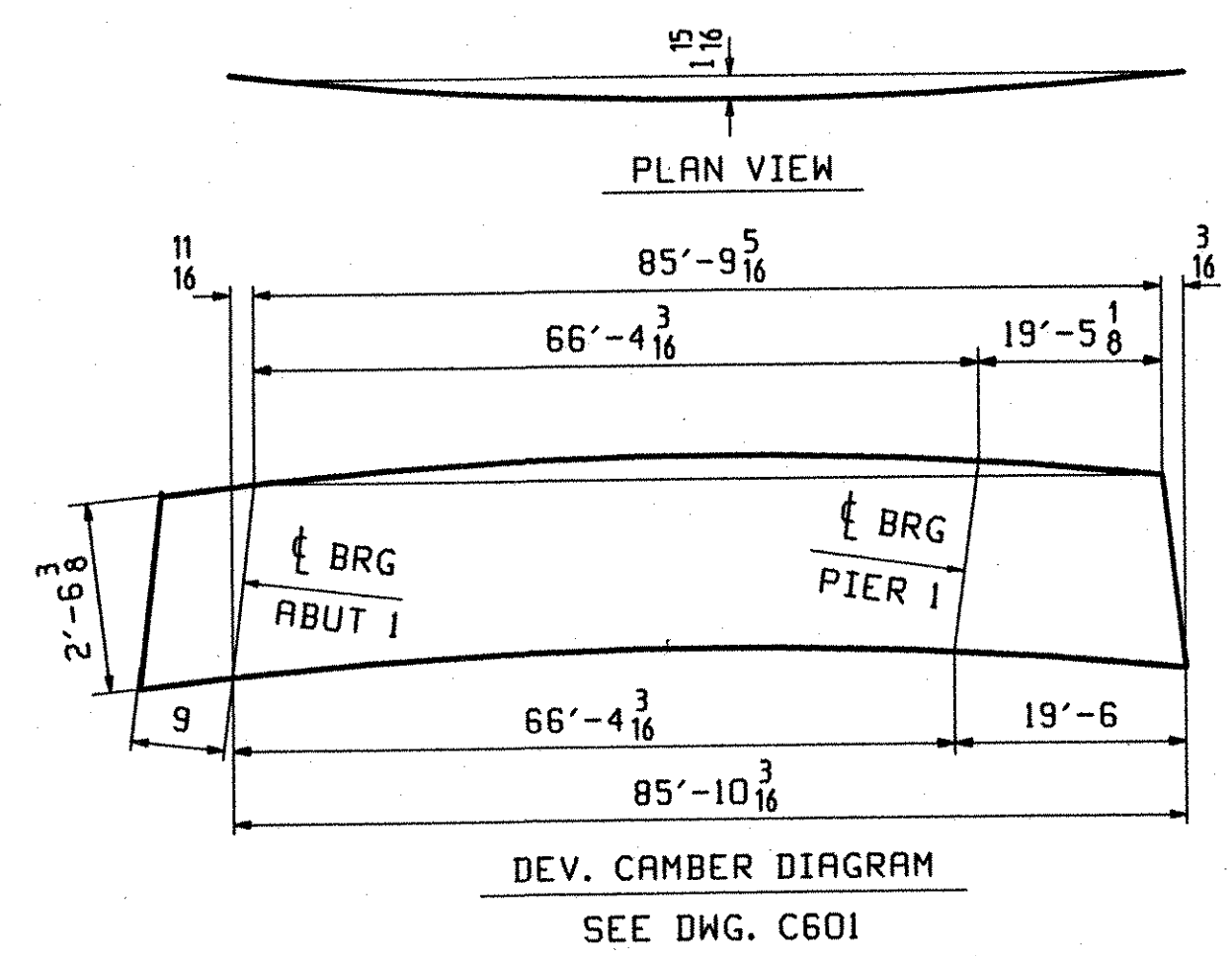
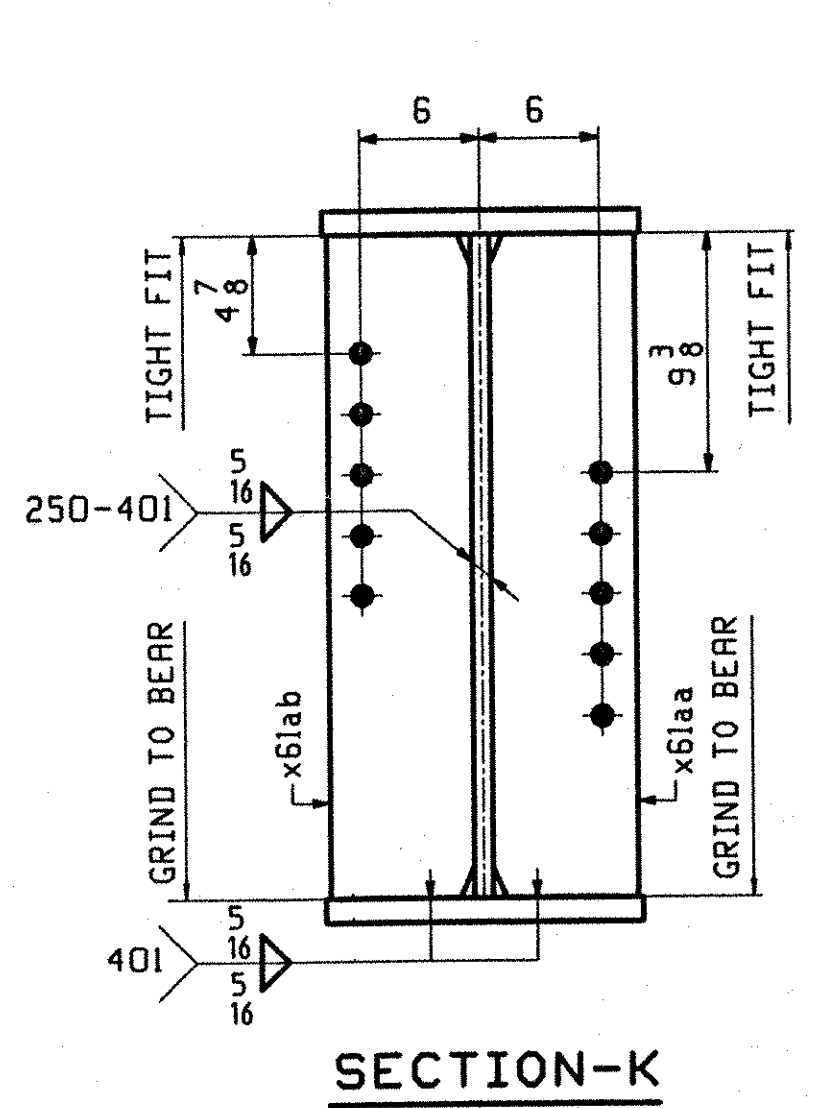
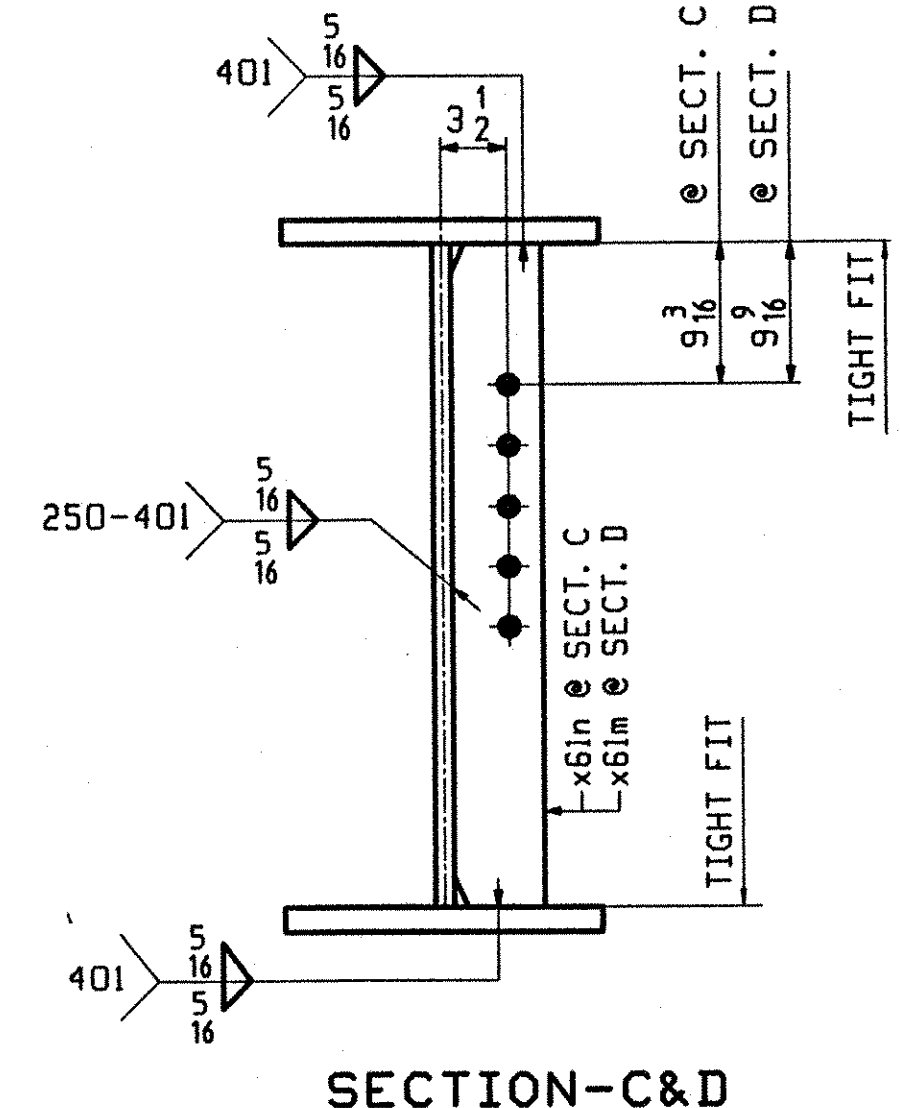
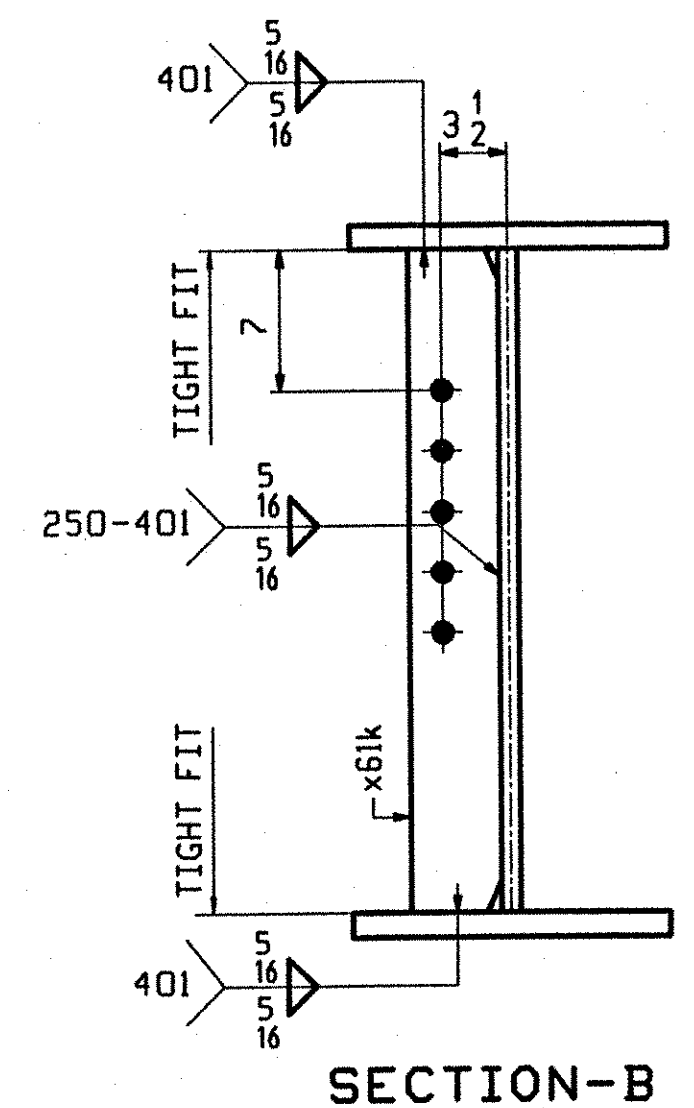
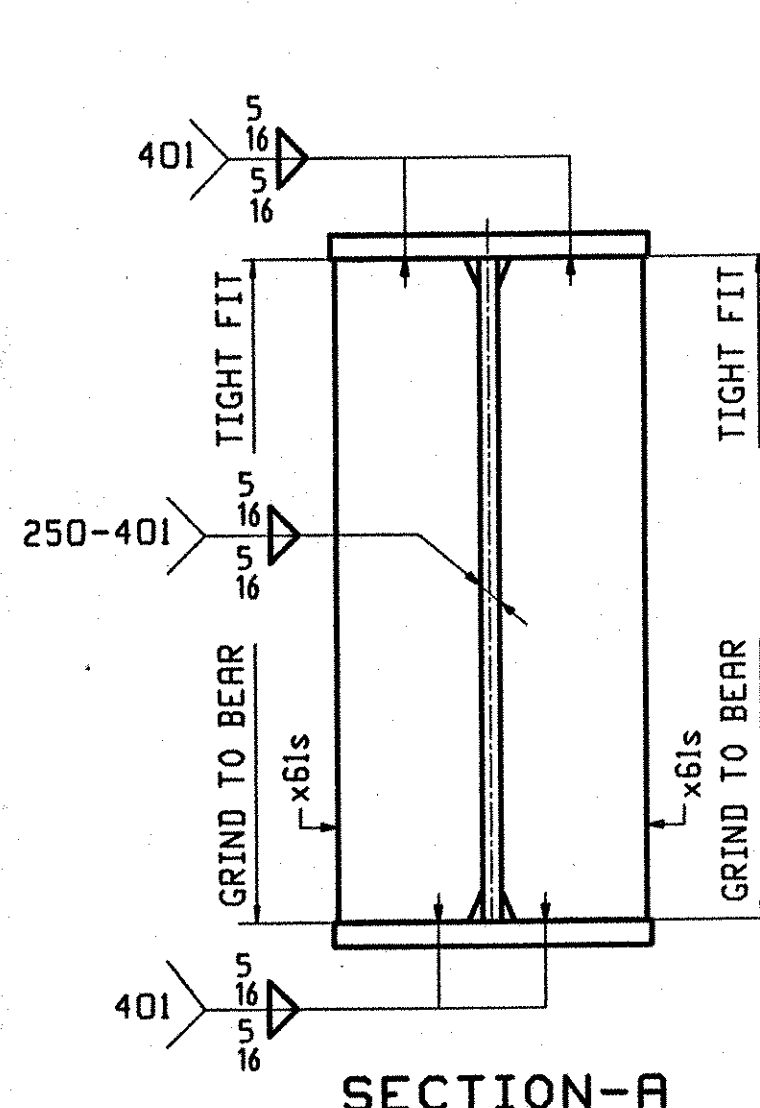


VIEW - TB

SECTION - BB

ONE - GIRDER - G3A

1. FOR GIRDER STANDARD DETAILS SEE DRAWING X61.
2. FOR CAMBER AND FLANGE DIAGRAMS SEE DRAWING C601.
3. FOR GENERAL NOTES SEE DRAWING GN501.



DEV. CAMBER DIAGRAM
SEE DWG. C601

JOB NO.		DRAWING NO.		REV.		
603		603				
ABR INFO	SHIP	BILL OF MATERIAL		REMARKS	WT	PROCUREMENT NOTES
PAGE	LINE	MARK	QTY	MARK	MATERIAL	LENGTH FT INCHES
		G3A	1		GIRDER	
602	N	1	wa	PL	1/2 x 3 1/2	42 11 5/8 (M270-50HT2)
602	U	1	wb	PL	1/2 x 3 1/4	43 7 7/8 (M270-50HT2)
601	Y	1	ta	PL	1/2 x 16	44 9 7/8 (M270-50HT2)
601	C	1	tb	PL	1/2 x 16	41 8 7/8 (M270-50HT2)
601	H	1	ba	PL	1/2 x 16	44 10 1/8 (M270-50HT2)
601	C	1	bb	PL	1/2 x 16	41 8 7/8 (M270-50HT2)
603	M	2	x61s	PL	7/8 x 7 3/4	2 6 3/8 (M270-50W)
603	N	2	x61n	PL	2 x 5	2 6 3/8 (M270-50W)
603	N	4	x61k	PL	2 x 5	2 6 3/8 (M270-50W)
603	N	2	x61m	PL	2 x 5	2 6 3/8 (M270-50W)
603	M	1	x61ab	PL	7/8 x 7 3/4	2 6 3/8 (M270-50W)
603	M	1	x61aa	PL	7/8 x 7 3/4	2 6 3/8 (M270-50W)

TVGA
Engineering, Surveying, P.C.

NO EXCEPTIONS TAKEN
FURNISH AS CORRECTED
REVISE AND RESUBMIT
ENGINEER has retained Shop Drawings and Samples and other data which Contractor is required to submit, etc. for compliance with the instructions given in the Contract Documents and compliance with the design concept of the Consultant. Project as a function, whole or in part, of the Consultant's design. Such drawings shall extend to the actual construction documents. Such drawings shall include all methods, materials, equipment or processes of construction or to safety precautions and programs installed thereon. Contractor is responsible for dimensions to his cutlines and supervised at the job site for installation and remains solely the fabricator's process or to the design of construction and for coordination of the work of all trades.

BY: *[Signature]*
DATE: 01-16-2007

OUT FOR APPROVAL	10-9-07										
OUT FOR APPROVAL											
ISSUED TO SHOP											
FIELD & OFFICE											
REV.	REMARKS	DATE	DWN	CHK	APP	Q.A.	NO.	DIA.	LGT	TYPE	WASHER
	MATERIAL: M270 GR 50W										
	ELECTRODES:										
	HOLES:										
	SHOP BOLTS:										
	15/16 Ø (UN)										
	7/8 Ø (UN)										
SURFACE PREP. & PAINT:											
-STEEL WITHIN 10'-0" OF ABUT 2 SHALL BE PAINTED (SEE GN501)											
-ALL OTHER STEEL SHALL BE BLAST CLEANED AND LEFT UNPAINTED.											
DESCRIPTION: GIRDER - G3A											
JOB: BRIDGE NO. 50N											
1-89 NB OVER U.S. ROUTE 2											
1-89 IMPROVEMENTS											
TOWN OF MIDDLESEX-BOLTON, VERMONT											
PROJ NO. 1M-089-2(26)											
CUSTOMER: VERMONT AGENCY OF TRANSPORTATION											
CASCO BAY STEEL STRUCTURES, INC.											
75 SPRING HILL ROAD SACO, MAINE 04072											
PHONE (207) 282-7360 FAX. (207) 282-1179											
DRAWN BY		DATE		APPROV BY		SUPERVISOR		JOB NO.		DRG. NO.	
BW		09/24		DO		H. J. GATTI		123-50N		603	
										REV. Δ	