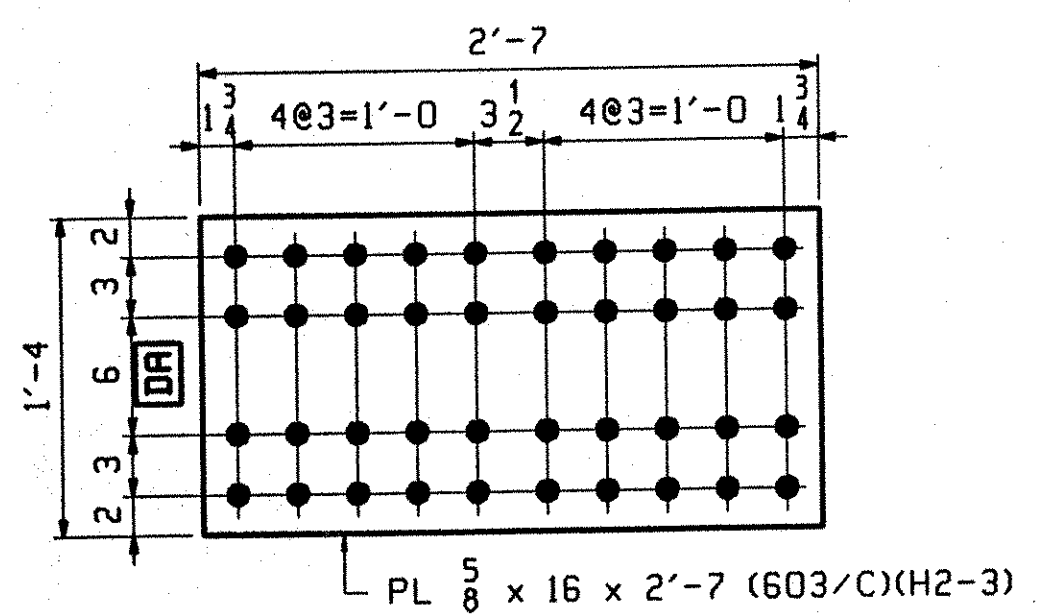
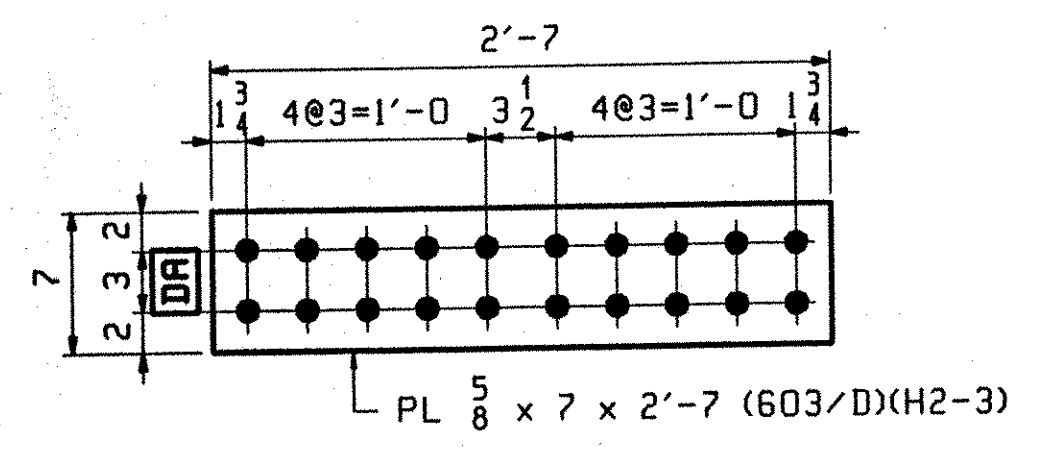


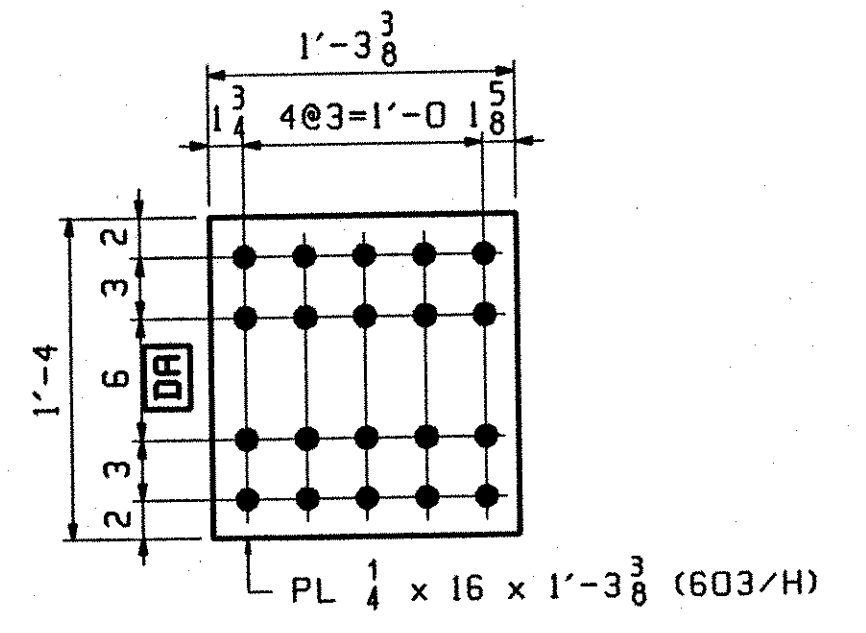
D.O.R.
20 ~ x61a



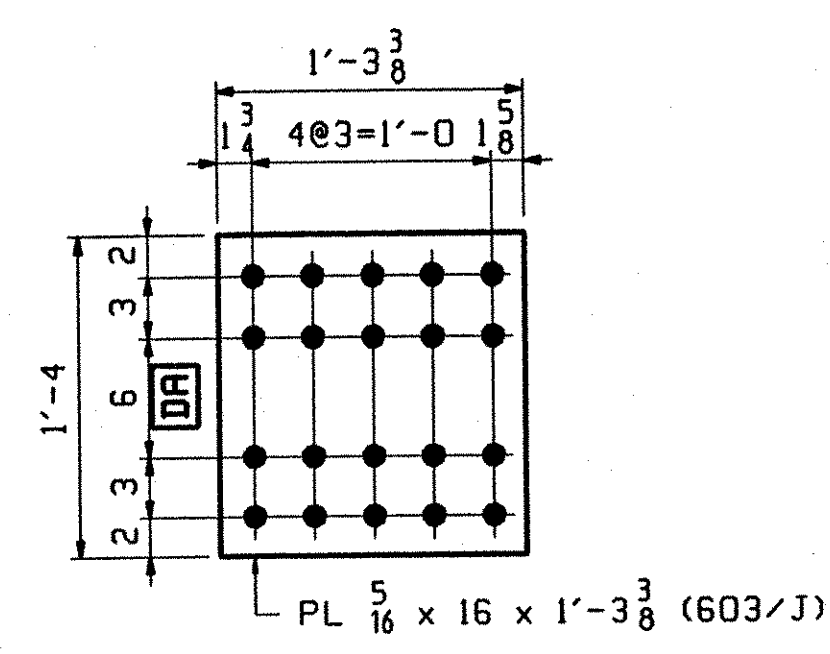
D.O.R.
20 ~ x61b



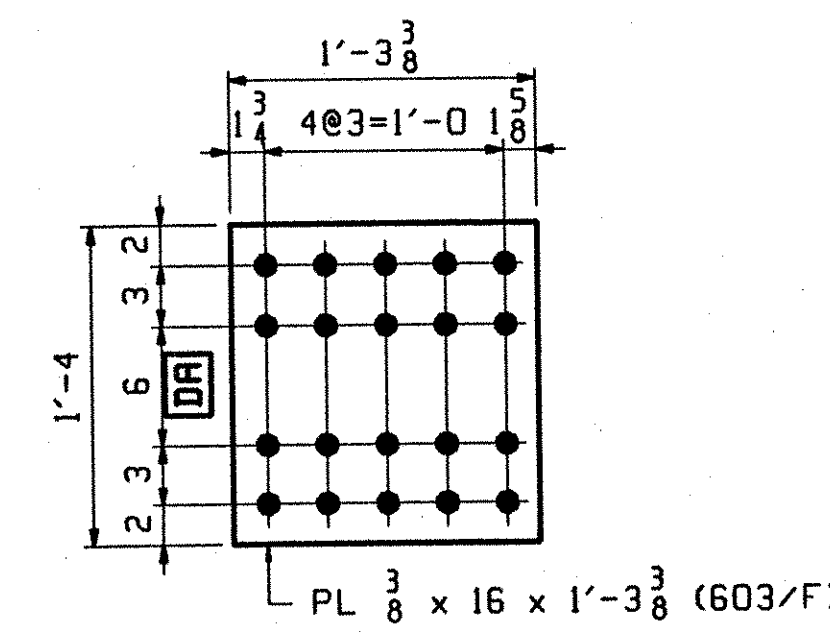
D.O.R.
40 ~ x61c



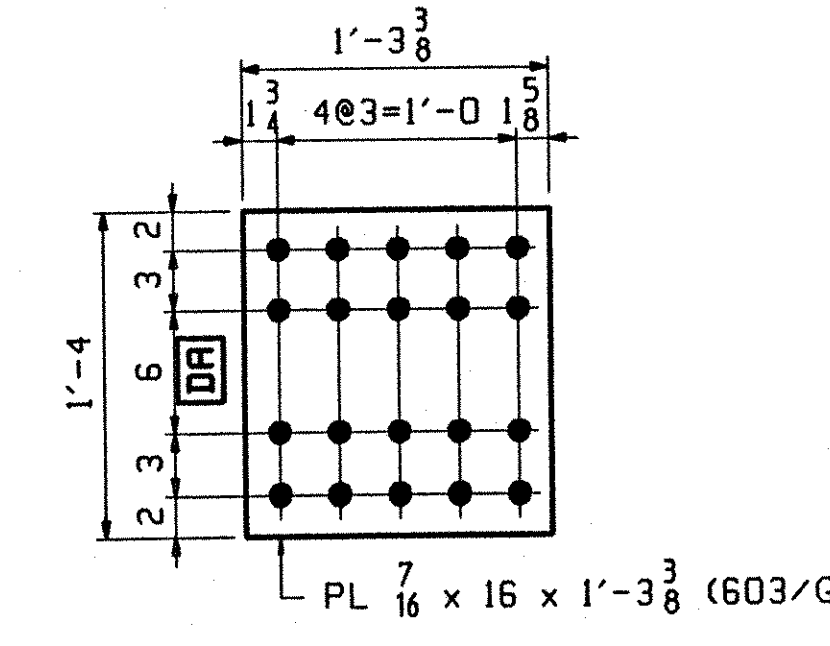
5 ~ x61d
(BOTT. FILL)



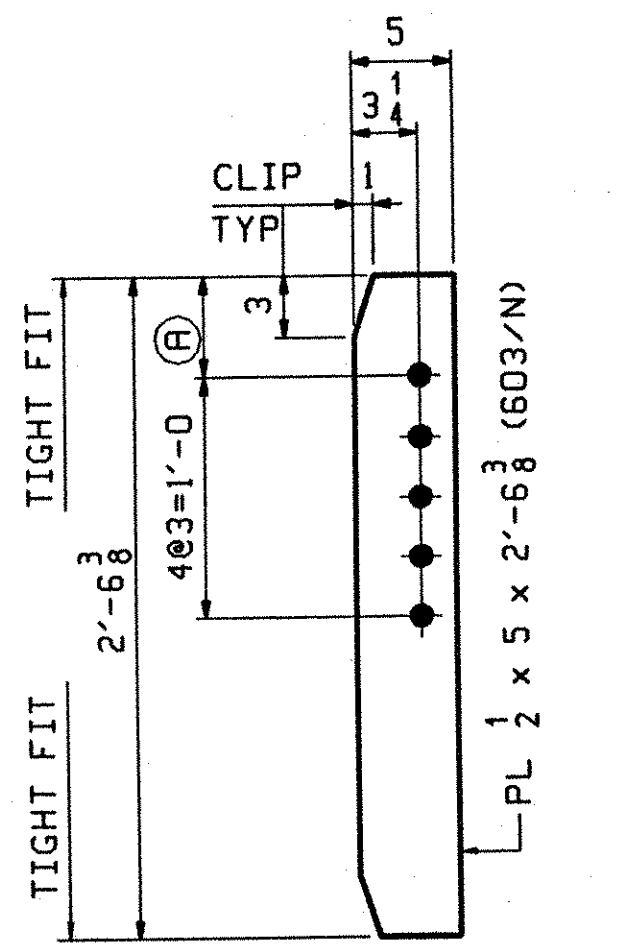
5 ~ x61f
(BOTT. FILL)



5 ~ x61g
(TOP FILL)

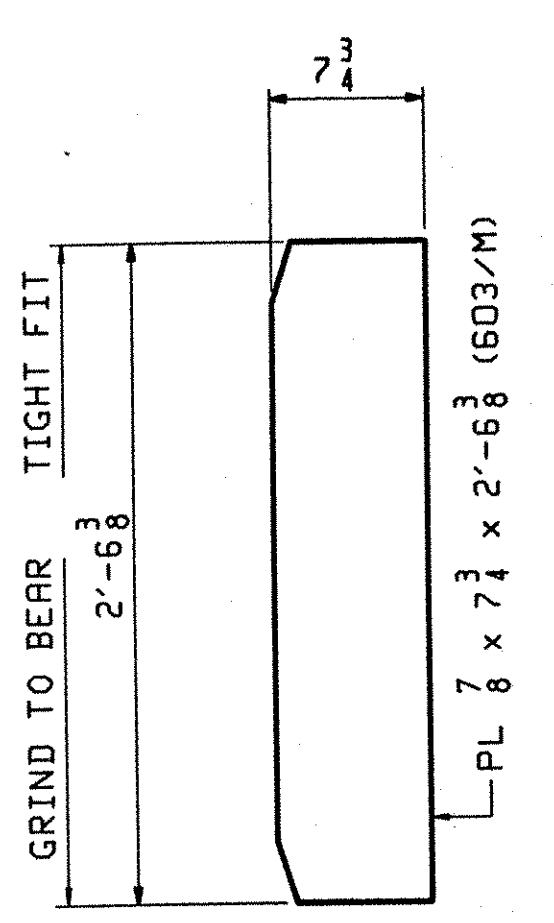


5 ~ x61h
(TOP FILL)

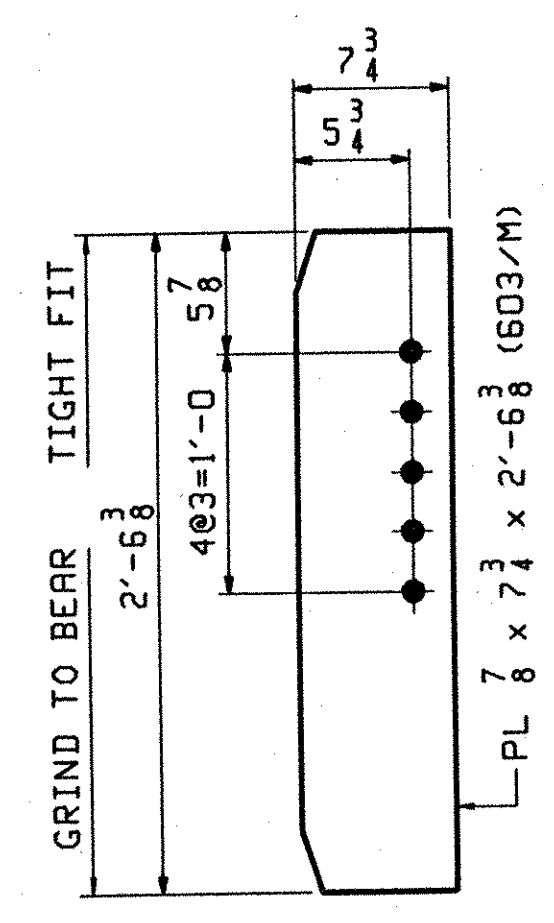


INT. CONN STIFF

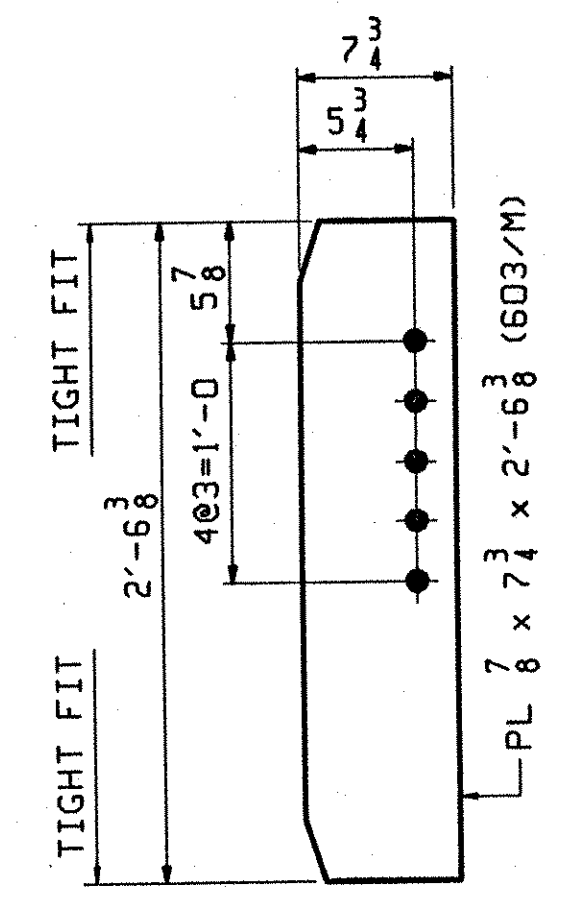
MARK	REQ'D	(A)
x61k	40	7
x61m	20	9 1/16
x61n	20	9 3/16



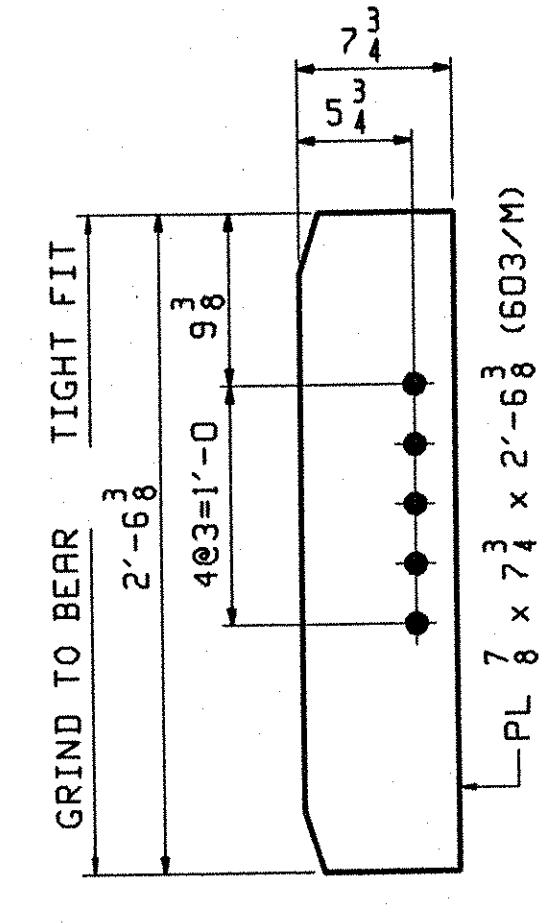
20 ~ x61s
BRG STIFF @ ABUT & PIERS



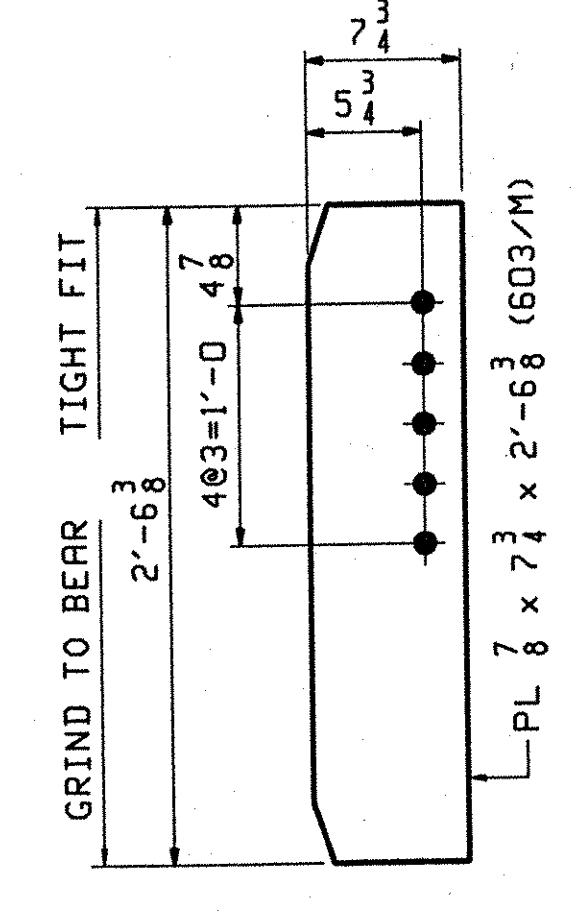
4 ~ x61t
BRG STIFF @ ABUT



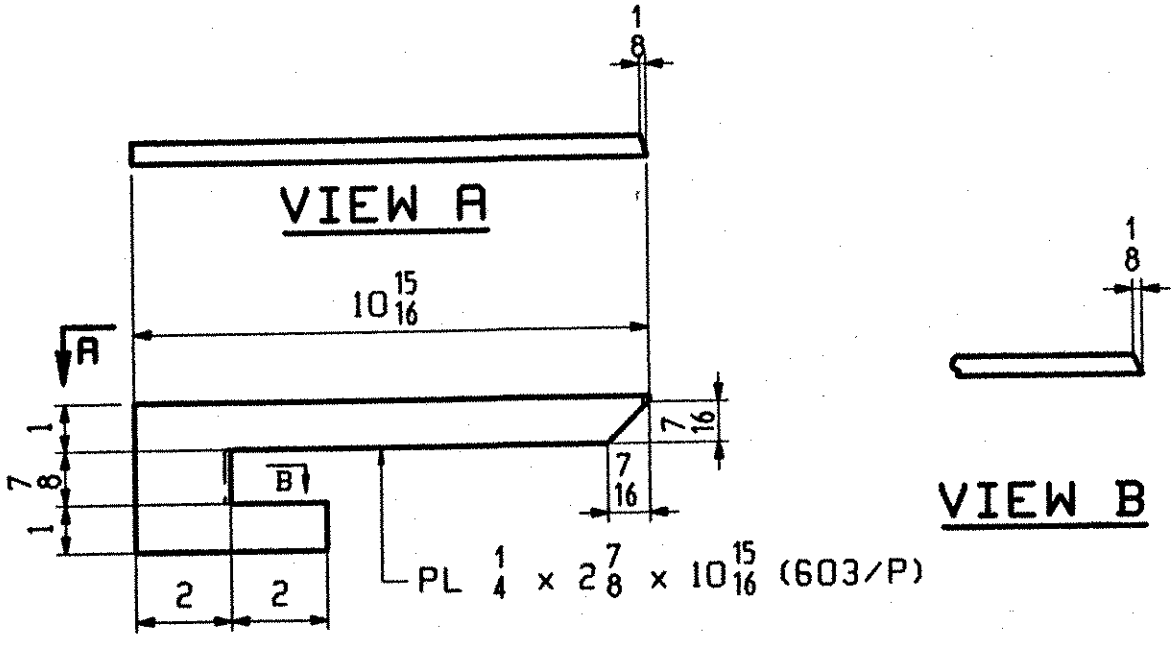
4 ~ x61v
CONN STIFF @ ABUT



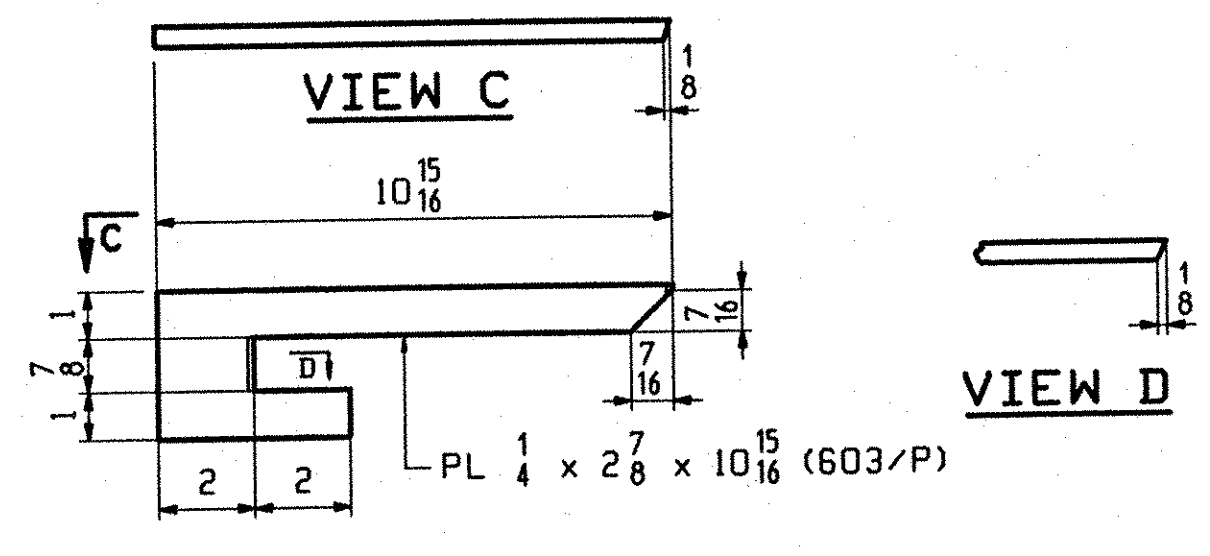
8 ~ x61aa
BRG STIFF @ PIERS



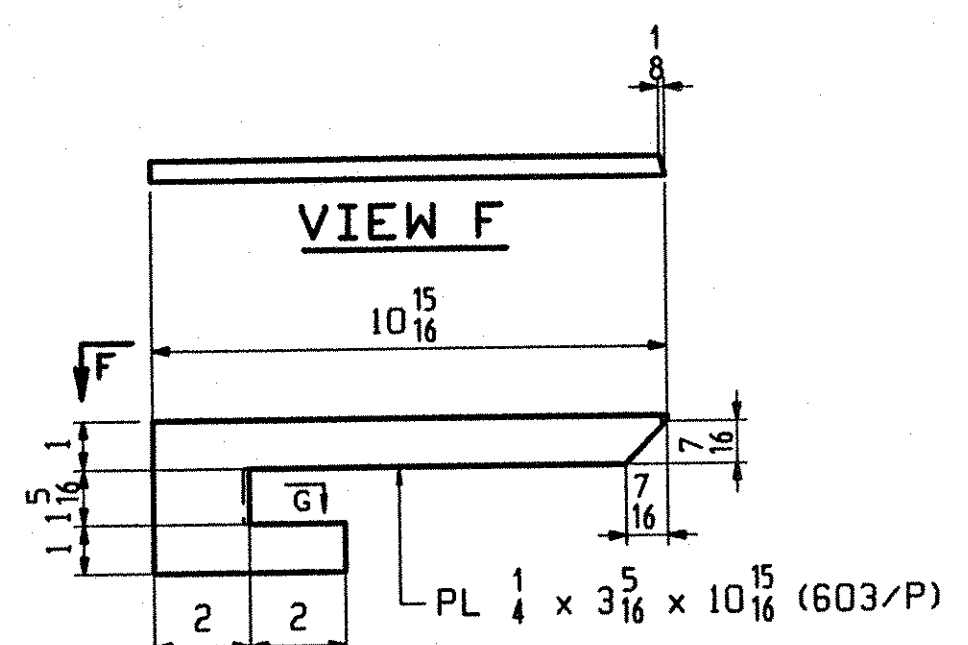
8 ~ x61ab
BRG STIFF @ PIERS



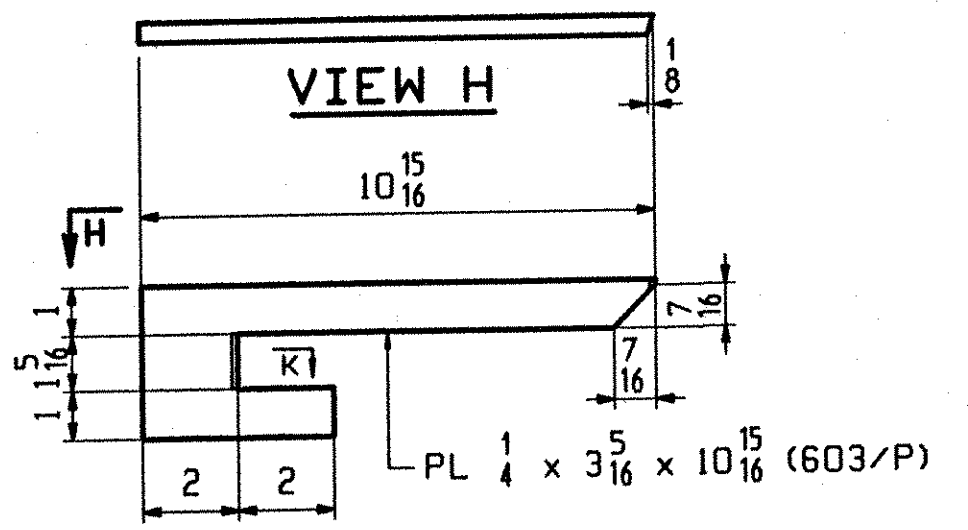
1 ~ x61ac
DRIP PL



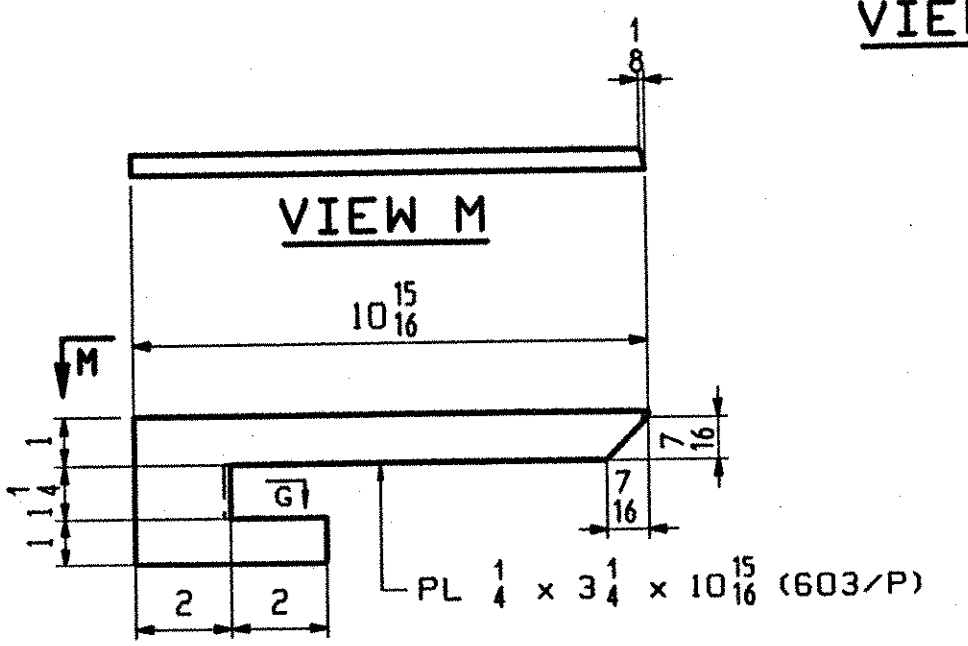
1 ~ x61ad
DRIP PL



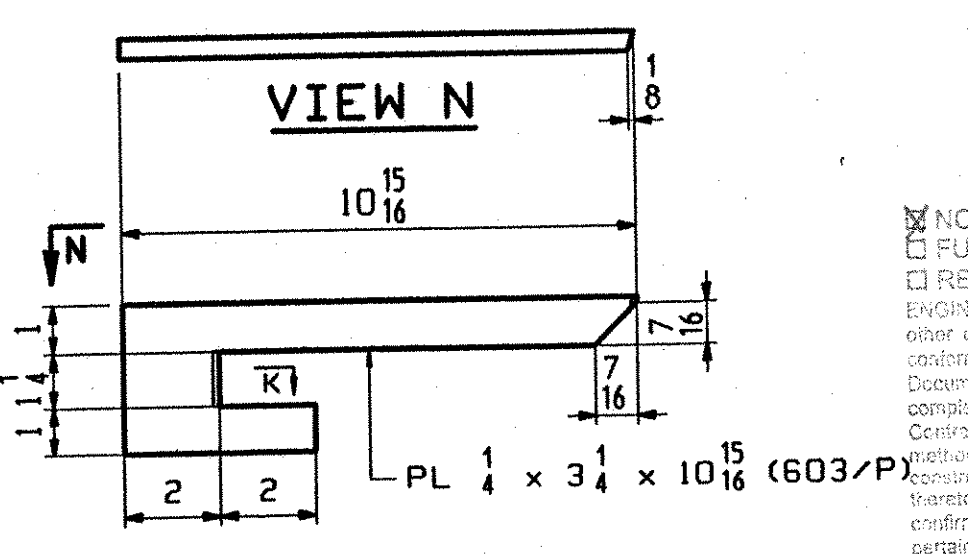
1 ~ x61af
DRIP PL



1 ~ x61ag
DRIP PL



1 ~ x61ak
DRIP PL



1 ~ x61am
DRIP PL

TVGA
Engineering, Surveying, P.C.

NO EXCEPTIONS TAKEN REJECTED
 FURNISH AS CORRECTED
 REVISE AND RESUBMIT

ENGINEER HAS REVIEWED SHOP DRAWINGS AND SAMPLES AND CONFIRMS THAT THE CONTRACTOR IS REQUIRED TO SUBMIT ONLY FOR WORK DONE WITHIN THE BOUNDARIES OF THE CONTRACT. THE CONTRACTOR IS RESPONSIBLE FOR OBTAINING ALL NECESSARY PERMITS AND APPROVALS FROM THE TOWN OF MIDDLESEX-BOLTON, VERMONT. THE CONTRACTOR IS RESPONSIBLE FOR OBTAINING ALL NECESSARY PERMITS AND APPROVALS FROM THE TOWN OF MIDDLESEX-BOLTON, VERMONT. THE CONTRACTOR IS RESPONSIBLE FOR OBTAINING ALL NECESSARY PERMITS AND APPROVALS FROM THE TOWN OF MIDDLESEX-BOLTON, VERMONT.

BY: *[Signature]*
DATE: 04-16-2002

NOTES:
FOR GENERAL NOTES SEE GNS01
H2-3 DENOTES MATERIAL SUBJECT TO CHARPY V-NOTCH TESTING.
D.O.R. DENOTES DIRECTION OF MILL ROLLING

OUT FOR APPROVAL	10-9-21										
OUT FOR APPROVAL											
ISSUED TO SHOP											
FIELD & OFFICE											
REV.	REMARKS	DATE	DWN	CHK	APP	Q.A.	NO.	DIA.	LGT	TYPE	WASHER
MATERIAL:	M270 GR 50W	ELECTRODES:						HOLES: 15/16 φ (UN)		SHOP BOLTS: 7/8 φ (UN)	
SURFACE PREP. & PAINT:											
-STEEL WITHIN 10'-0 OF ABUT 2 SHALL BE PAINTED (SEE GNS01)											
-ALL OTHER STEEL SHALL BE BLAST CLEANED AND LEFT UNPAINTED.											
DESCRIPTION:		GIRDER STANDARDS					DRAWN BY		DATE		
JOB:		BRIDGE NO. 50N I-89 NB OVER U.S. ROUTE 2 I-89 IMPROVEMENTS TOWN OF MIDDLESEX-BOLTON, VERMONT					BW		09/21		
							CHKD BY		DO		
							APPROV BY		H. J. GATTI		
							SUPERVISOR		Q.A.		
PROJ NO.		IM-089-2(26)									
CUSTOMER:		VERMONT AGENCY OF TRANSPORTATION									
CASCO BAY STEEL STRUCTURES, INC.		JOB NO.		DRG. NO.		PHONE		FAX		REV.	
75 SPRING HILL ROAD		123-50N		X61		(207) 282-7360		(207) 282-1179		△	