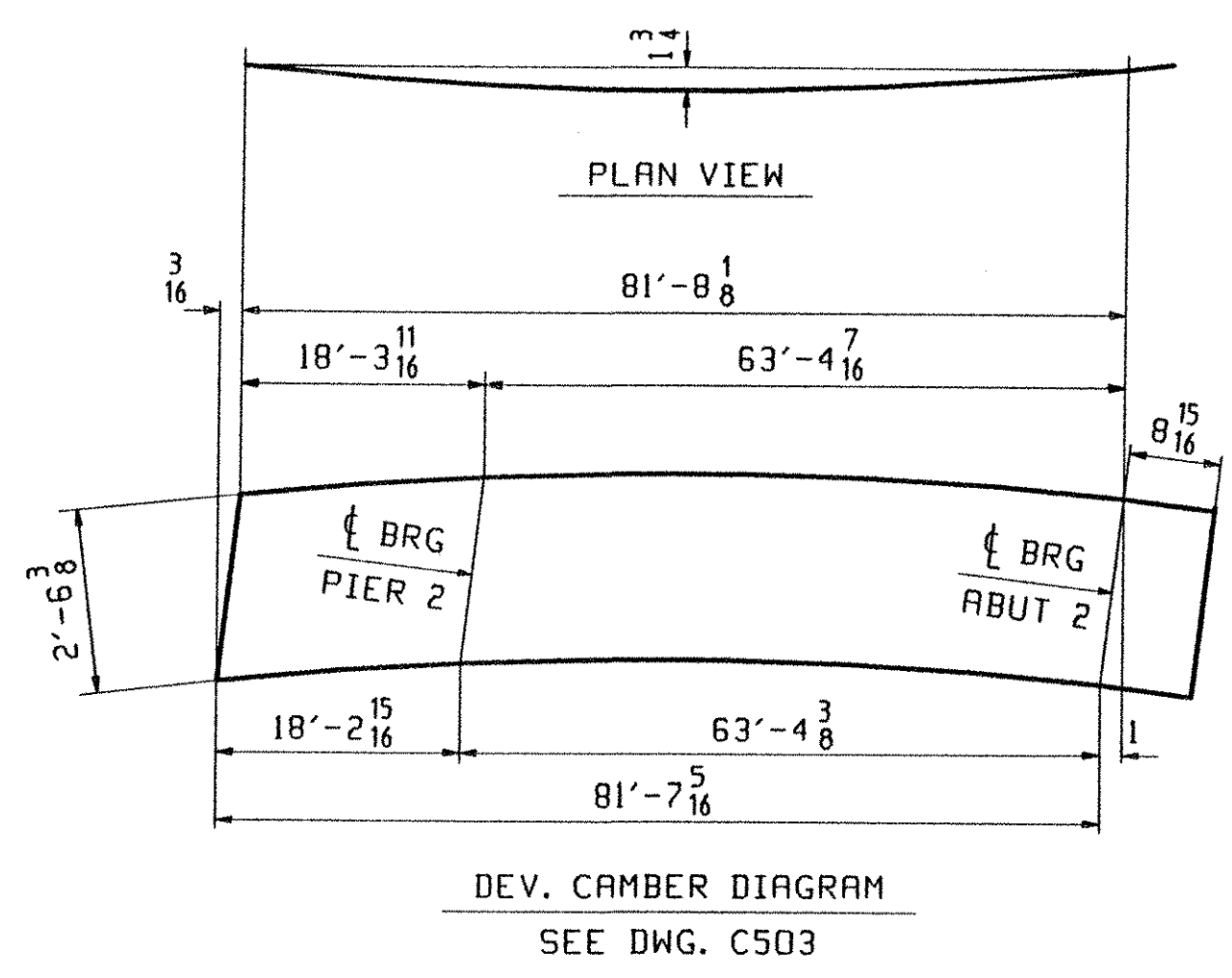
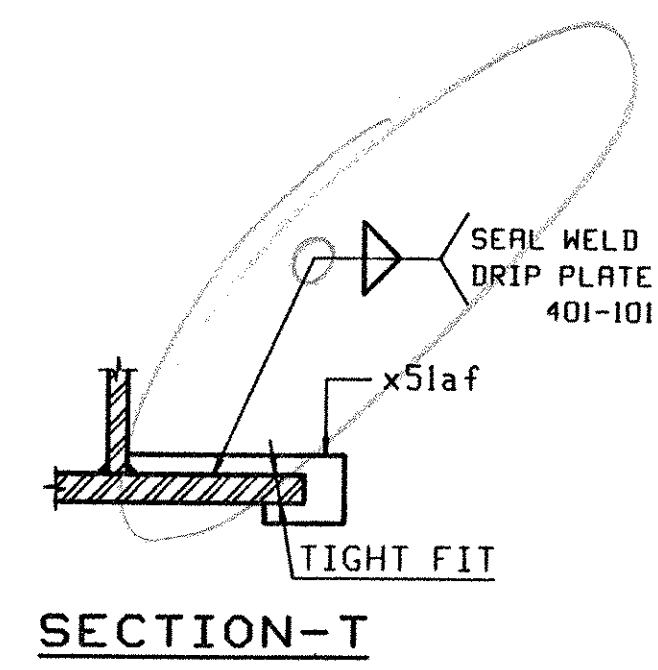
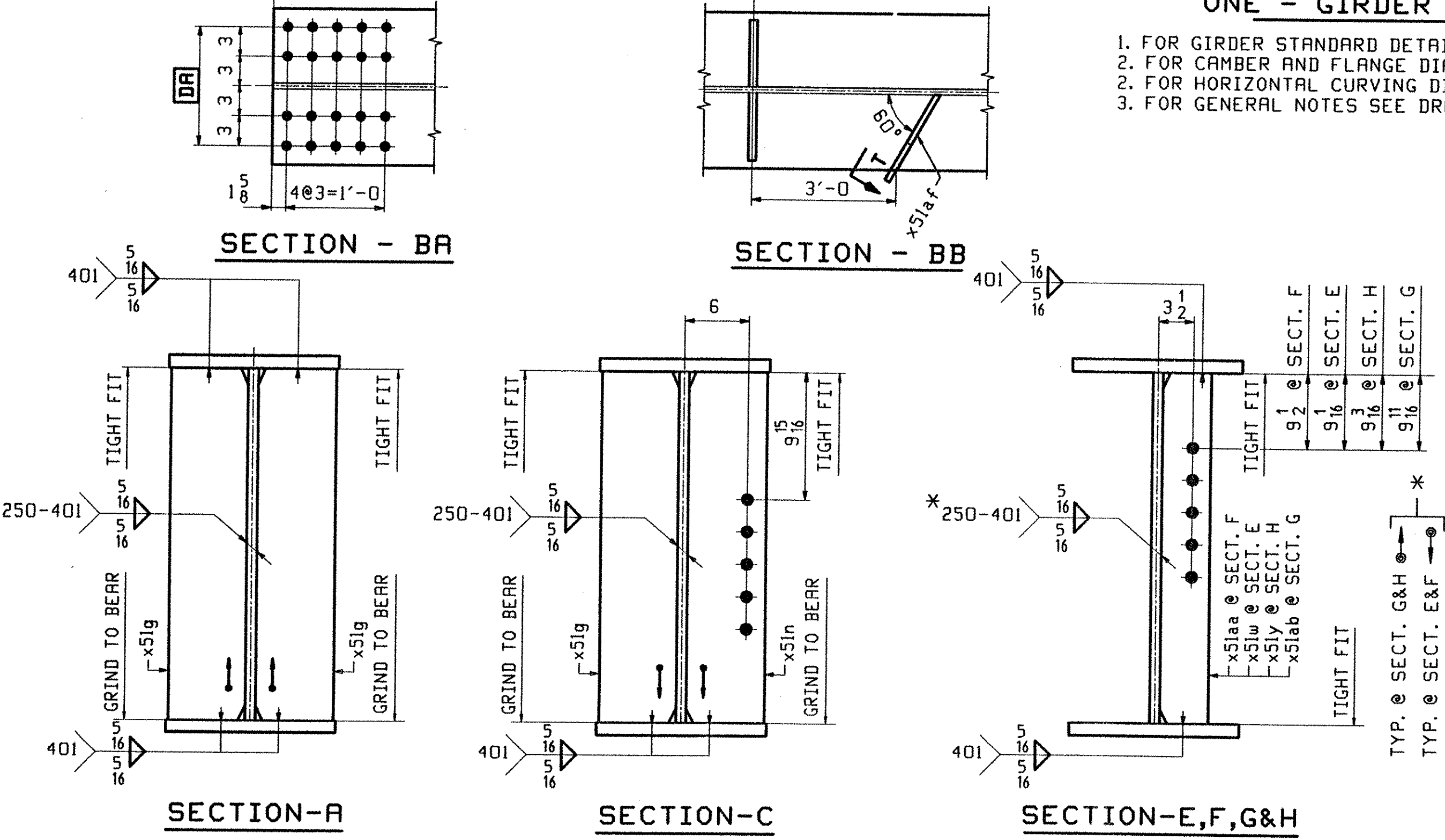


ONE - GIRDER - G5C

1. FOR GIRDER STANDARD DETAILS SEE DRAWING X51.
2. FOR CAMBER AND FLANGE DIAGRAMS SEE DRAWING C503.
3. FOR HORIZONTAL CURVING DIAGRAM SEE DRAWING HC501.
4. FOR GENERAL NOTES SEE DRAWING GN501.



ABM INFO		SHIP				BILL OF MATERIAL		JOB NO.		DRAWING NO.		REV.
PAGE	LINE	MARK	QTY	MARK	MATERIAL	LENGTH		REMARKS	HT	PROCUREMENT NOTES		
						FT	INCHES					
		G5C	1		GIRDER					13626		
502	N		1	wa	PL 1/2 x 30 3/8	41	4 7/8	(M270-50HT2) (H2-3)				
502	L		1	wb	PL 1/2 x 30 3/8	41	0 8/8	(M270-50HT2) (H2-3)				
501	H		1	ta	PL 1/2 x 16	38	11 7/8	(M270-50HT2) (H2-3)				
501	X		1	tb	PL 7/8 x 16	43	9 1/8	(M270-50HT2) (H2-3)				
501	D		1	ba	PL 1/4 x 16	38	11 7/8	(M270-50HT2) (H2-3)				
501	X		1	bb	PL 7/8 x 16	43	4 3/8	(M270-50HT2) (H2-3)				
503	M		1	x51aa	PL 1/2 x 5	2	6 3/8	(M270-50W)				
503	M		1	x51w	PL 1/2 x 5	2	6 3/8	(M270-50W)				
503	M		1	x51y	PL 1/2 x 5	2	6 3/8	(M270-50W)				
503	M		1	x51ab	PL 1/2 x 5	2	6 3/8	(M270-50W)				
503	K		3	x51g	PL 7/8 x 7 1/4	2	6 3/8	(M270-50W)				
503	K		1	x51n	PL 7/8 x 7 1/4	2	6 3/8	(M270-50W)				
503	P		1	x51af	PL 1/4 x 3 1/8	0	10 5/16	(M270-50W)				

TVGA
Engineering, Surveying, P.C.

NO EXCEPTIONS TAKEN REJECTED
 FURNISH AS CORRECTED REVISE AND RESUBMIT

ENGINEER has reviewed Shop Drawings and Certificates and other data which Contractor is required to furnish for the completed Project as a condition precedent to the Contract Documents. Each party is to be bound by the terms, conditions, methods, techniques, sequences or procedures of construction or to safety practices and programs and to comply with the applicable laws, regulations, codes and standards. Contractor is responsible for compliance with all applicable laws, regulations, codes and standards. For information that pertains to the construction and for coordination of the work of all trades.

BY: *Pete W. S.C.*
DATE: *5/3/01*

OUT FOR APPROVAL	<i>4/5/01</i>											
ISSUED TO SHOP												
FIELD & OFFICE												
REV.	REMARKS	DATE	DWN	CHK	APP	O.A.	NO.	DIA.	LGT	TYPE	WASHER	
	MATERIAL:											
	M270 GR 50W											
	ELECTRODES:											
	HOLES:											
	15/16 Ø (UN)											
	SHOP BOLTS:											
	7/8 Ø (UN)											
SURFACE PREP. & PAINT:												
-STEEL WITHIN 10'-0 OF ABUT 1 SHALL BE PAINTED (SEE GN501)												
-ALL OTHER STEEL SHALL BE BLAST CLEANED AND LEFT UNPAINTED.												
DESCRIPTION: GIRDER - G5C												
JOB:	BRIDGE NO. 50S											
	I-89 SB OVER U.S. ROUTE 2											
	I-89 IMPROVEMENTS											
	TOWN OF MIDDLESEX-BOLTON, VERMONT											
PROJ NO.	IM-089-2(26)											
CUSTOMER:	VERMONT AGENCY OF TRANSPORTATION											
	CASCO BAY STEEL STRUCTURES, INC.											
	75 SPRING HILL ROAD SACO, MAINE 04072											
	PHONE (207) 282-7360 FAX. (207) 282-1179											
JOB NO.	122-50S											
DRG. NO.	515											
REV.	△											