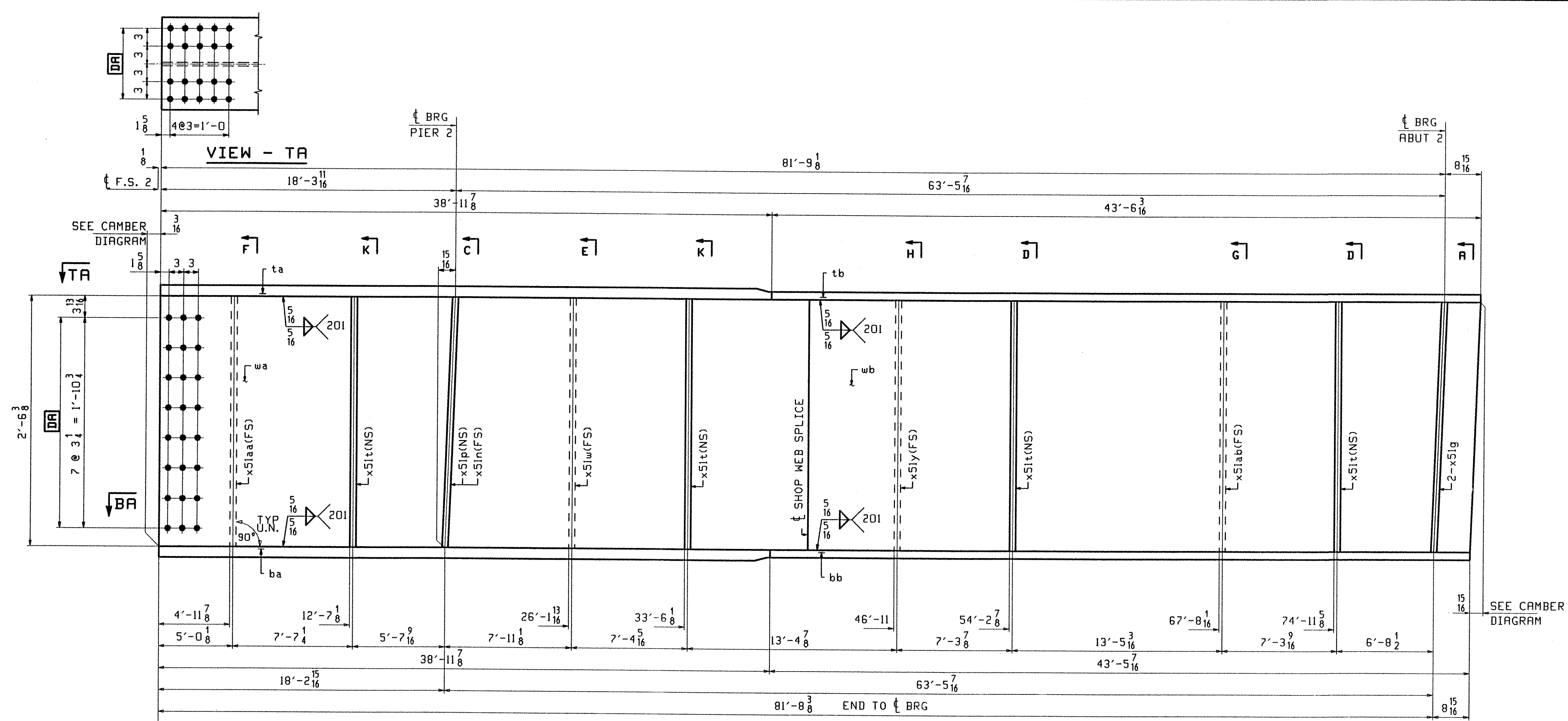


ABM INFO		BILL OF MATERIAL				JOB NO.		DRAWING NO.		REV.
PAGE	LINE	MARK	QTY	MATERIAL	LENGTH	REMARKS	WT	514		PROCUREMENT NOTES
					FT					
					INCHES					
		G4C	1	GIRDER				13723		
502	N		1	wa	PL 1/2x30 3/8	41 4/8		(M270-50HT2) (H2-3)		
502	L		1	wb	PL 1/2x30 3/8	41 1/8		(M270-50HT2) (H2-3)		
501	H		1	ta	PL 1/8x16	38 11/8		(M270-50HT2) (H2-3)		
501	X		1	tb	PL 7/8x16	43 6/16		(M270-50HT2) (H2-3)		
501	D		1	ba	PL 1/8x16	38 11/8		(M270-50HT2) (H2-3)		
501	X		1	bb	PL 7/8x16	43 5/16		(M270-50HT2) (H2-3)		
503	M		1	x51aa	PL 1/2x5	2 6/8		(M270-50H)		
503	M		4	x51t	PL 1/2x5	2 6/8		(M270-50H)		
503	K		1	x51p	PL 7/8x7 3/4	2 6/8		(M270-50H)		
503	K		1	x51n	PL 7/8x7 3/4	2 6/8		(M270-50H)		
503	M		1	x51w	PL 1/2x5	2 6/8		(M270-50H)		
503	M		1	x51y	PL 1/2x5	2 6/8		(M270-50H)		
503	M		1	x51ab	PL 1/2x5	2 6/8		(M270-50H)		
503	K		2	x51g	PL 7/8x7 3/4	2 6/8		(M270-50H)		

TVGA  
Engineering, Surveying, P.C.

NO EXCEPTIONS TAKEN. NO REVISIONS TO BE MADE WITHOUT THE WRITTEN APPROVAL OF THE ENGINEER. THE CONTRACTOR SHALL BE RESPONSIBLE FOR OBTAINING ALL NECESSARY PERMITS AND APPROVALS. THE CONTRACTOR SHALL BE RESPONSIBLE FOR THE PROTECTION OF ALL UTILITIES AND STRUCTURES EXISTING ON THE PROJECT. THE CONTRACTOR SHALL BE RESPONSIBLE FOR THE PROTECTION OF ALL ADJACENT PROPERTIES AND STRUCTURES. THE CONTRACTOR SHALL BE RESPONSIBLE FOR THE PROTECTION OF ALL ADJACENT PROPERTIES AND STRUCTURES. THE CONTRACTOR SHALL BE RESPONSIBLE FOR THE PROTECTION OF ALL ADJACENT PROPERTIES AND STRUCTURES.

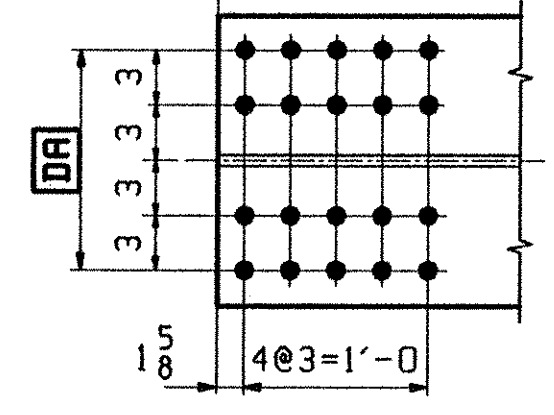
DATE: 5/3/01



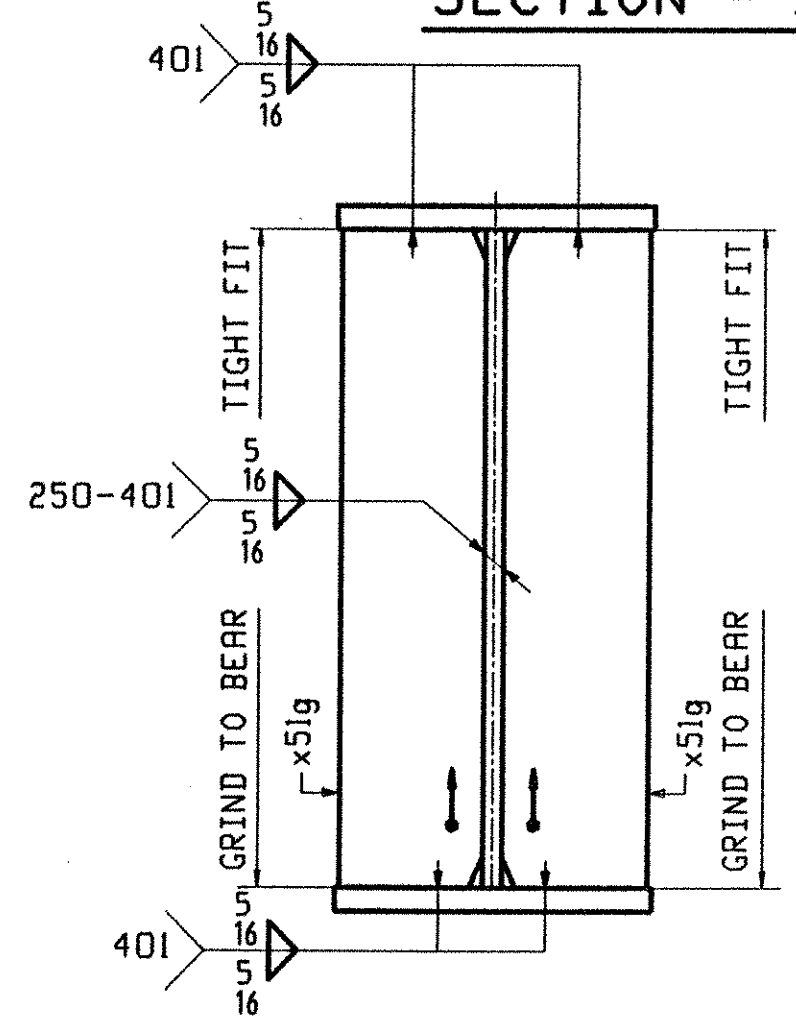
ONE - GIRDER - G4C

1. FOR GIRDER STANDARD DETAILS SEE DRAWING X51.
2. FOR CAMBER AND FLANGE DIAGRAMS SEE DRAWING C503.
2. FOR HORIZONTAL CURVING DIAGRAM SEE DRAWING HC501.
3. FOR GENERAL NOTES SEE DRAWING GN501.

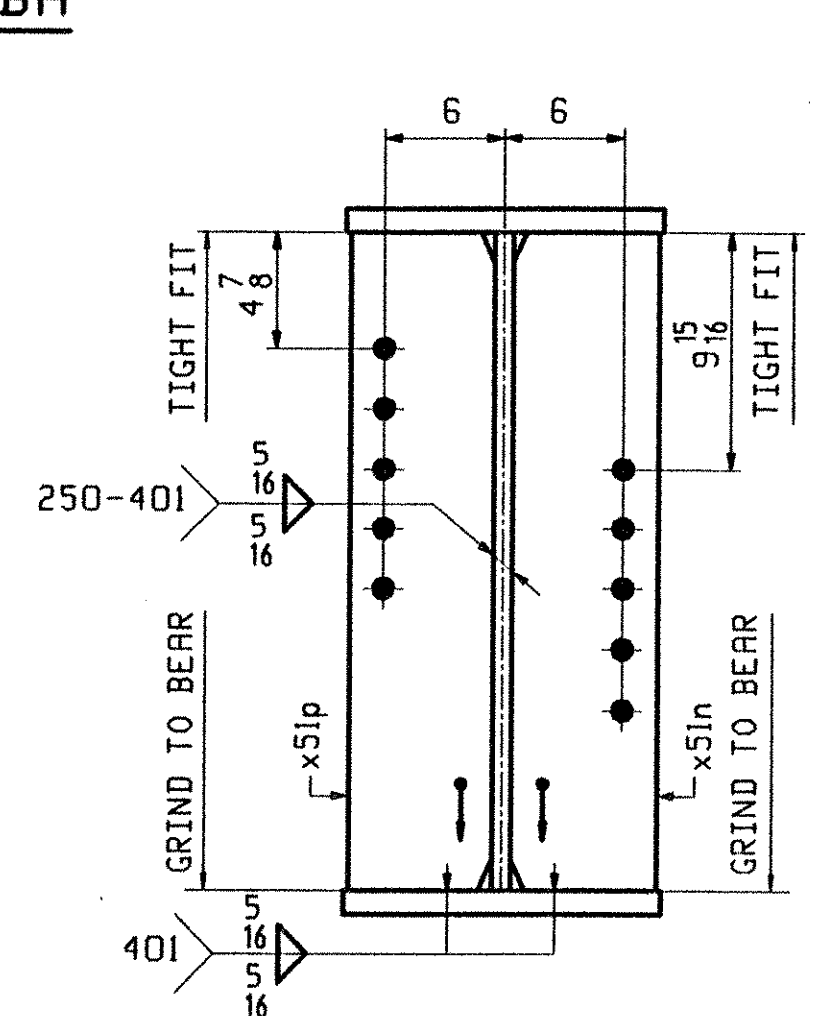
SEE CAMBER DIAGRAM



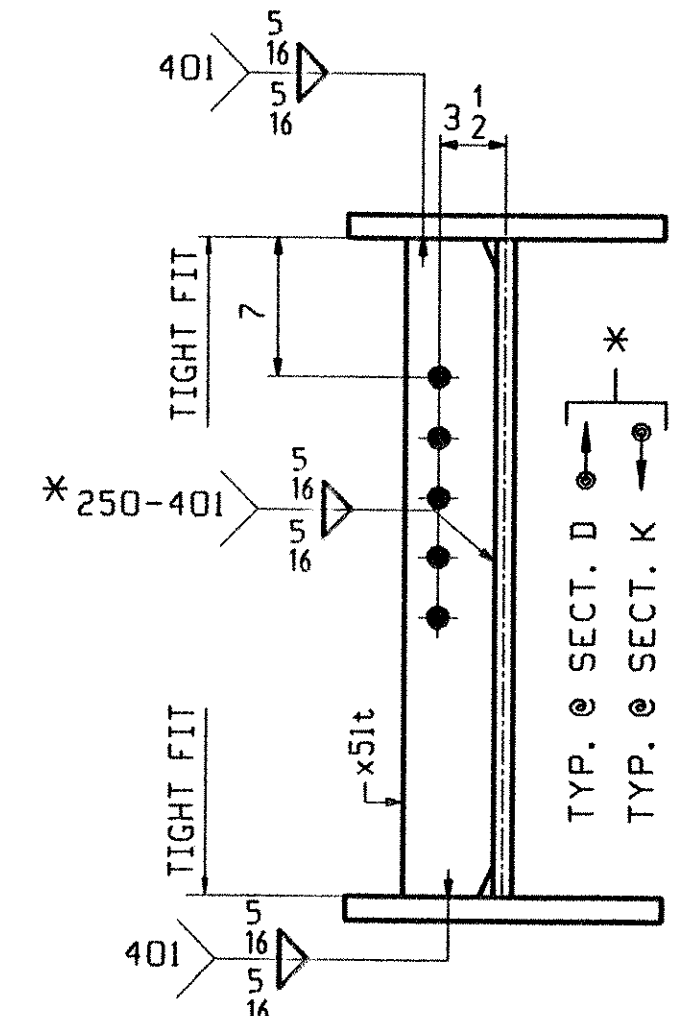
SECTION - BA



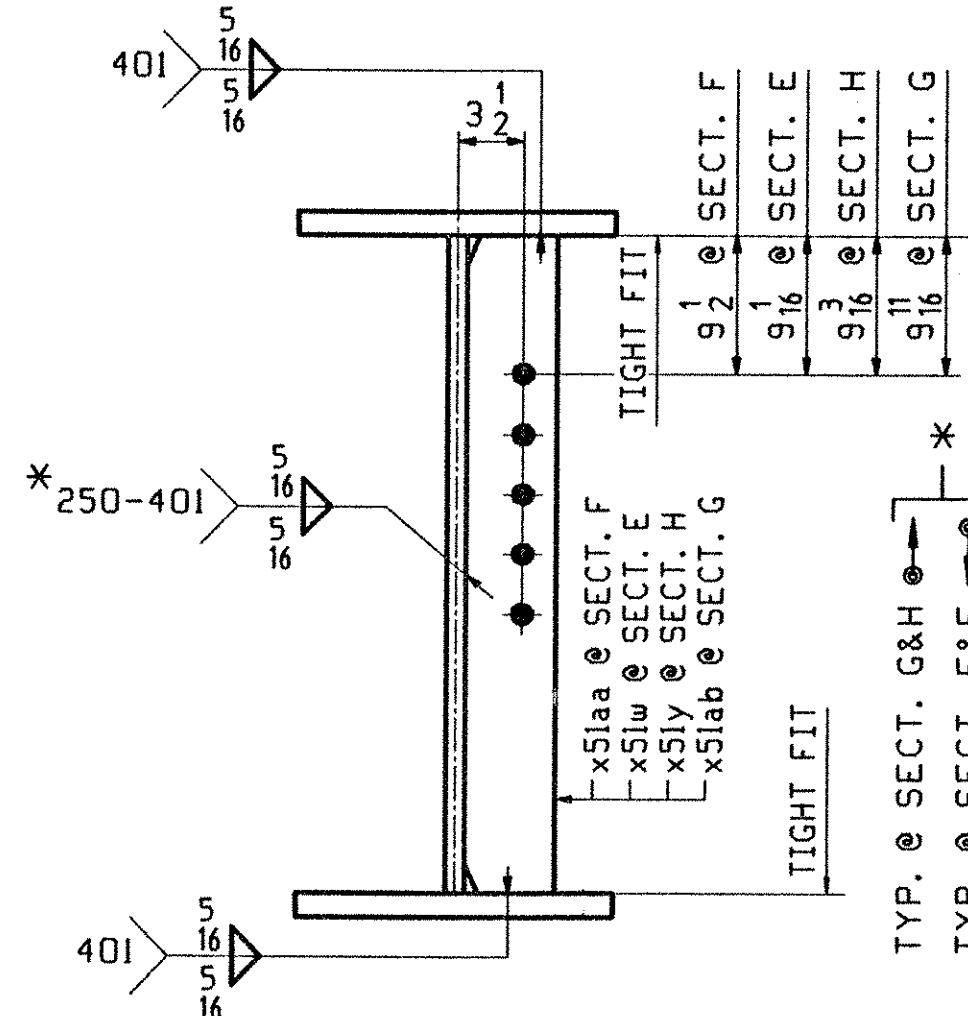
SECTION - A



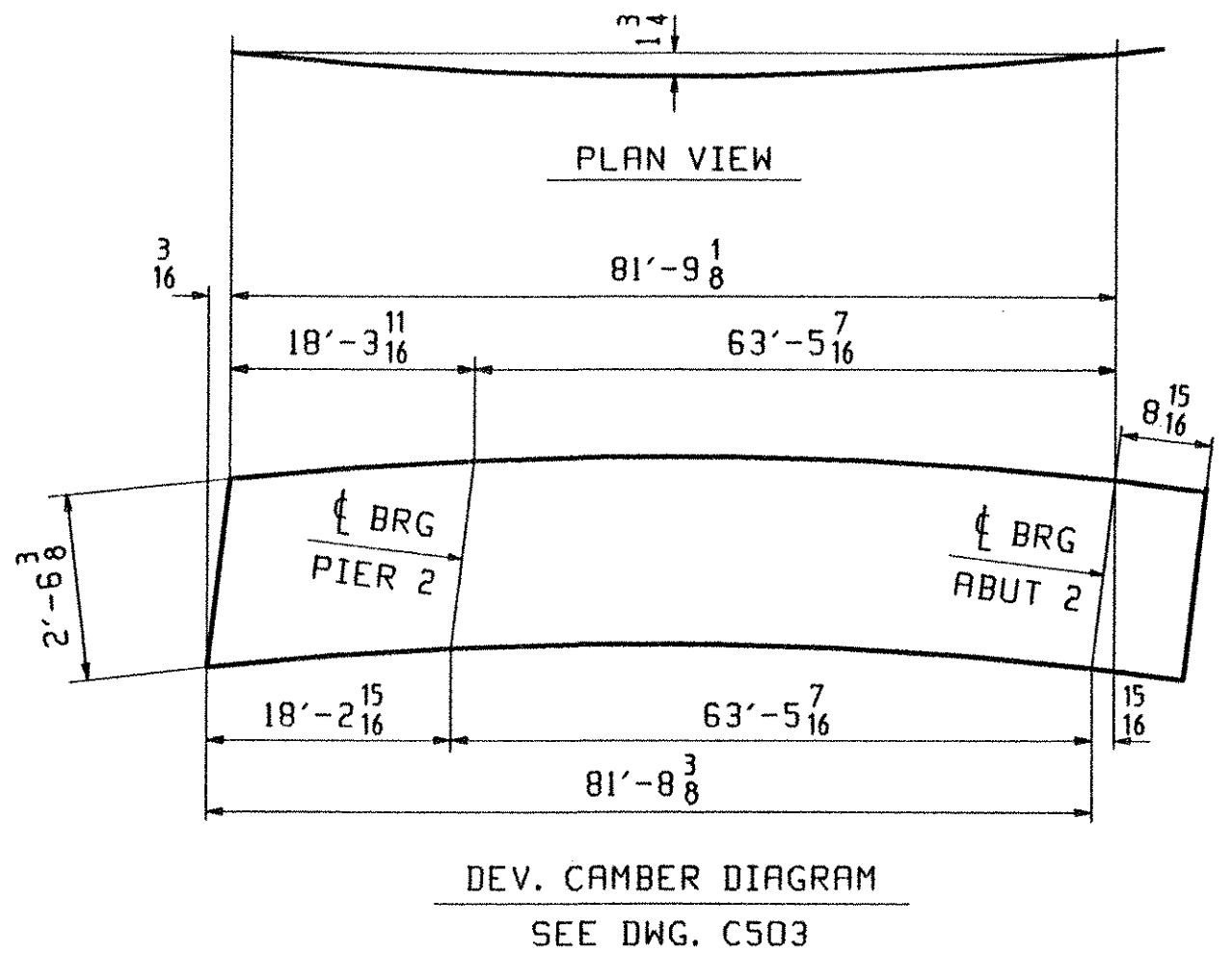
SECTION - C



SECTION - D & K



SECTION - E, F, G & H



DEV. CAMBER DIAGRAM  
SEE DWG. C503

OUT FOR APPROVAL	4.5.01										
ISSUED TO SHOP											
FIELD & OFFICE											
REV.	REMARKS	DATE	DWN	CHK	APP	Q.A.	NO.	DIA.	LGT	TYPE	WASHER
	MATERIAL:										
	ELECTRODES:										
	HOLES:										
	SHOP BOLTS:										
	SURFACE PREP. & PAINT:										
	-STEEL WITHIN 10'-0" OF ABUT 1 SHALL BE PAINTED (SEE GN501)										
	-ALL OTHER STEEL SHALL BE BLAST CLEANED AND LEFT UNPAINTED.										
	DESCRIPTION:	GIRDER - G4C								DRAWN BY	DATE
	JOB:	BRIDGE NO. 505								PHG	03/09/01
		I-89 SB OVER U.S. ROUTE 2								CHKD BY	
		I-89 IMPROVEMENTS								TRM	04/03/01
		TOWN OF MIDDLESEX-BOLTON, VERMONT								APPROV BY	
										SUPERVISOR	W. J. GATTI
	PROJ. NO.	IM-089-2(26)								Q.A.	
	CUSTOMER: VERMONT AGENCY OF TRANSPORTATION										
	<b>CASCO BAY STEEL STRUCTURES, INC.</b>										
	JOB NO.	122-505								DRG. NO.	514
	PHONE	(207) 282-7360								SACO, MAINE 04072	
										FAX.	(207) 282-1179
										REV.	△