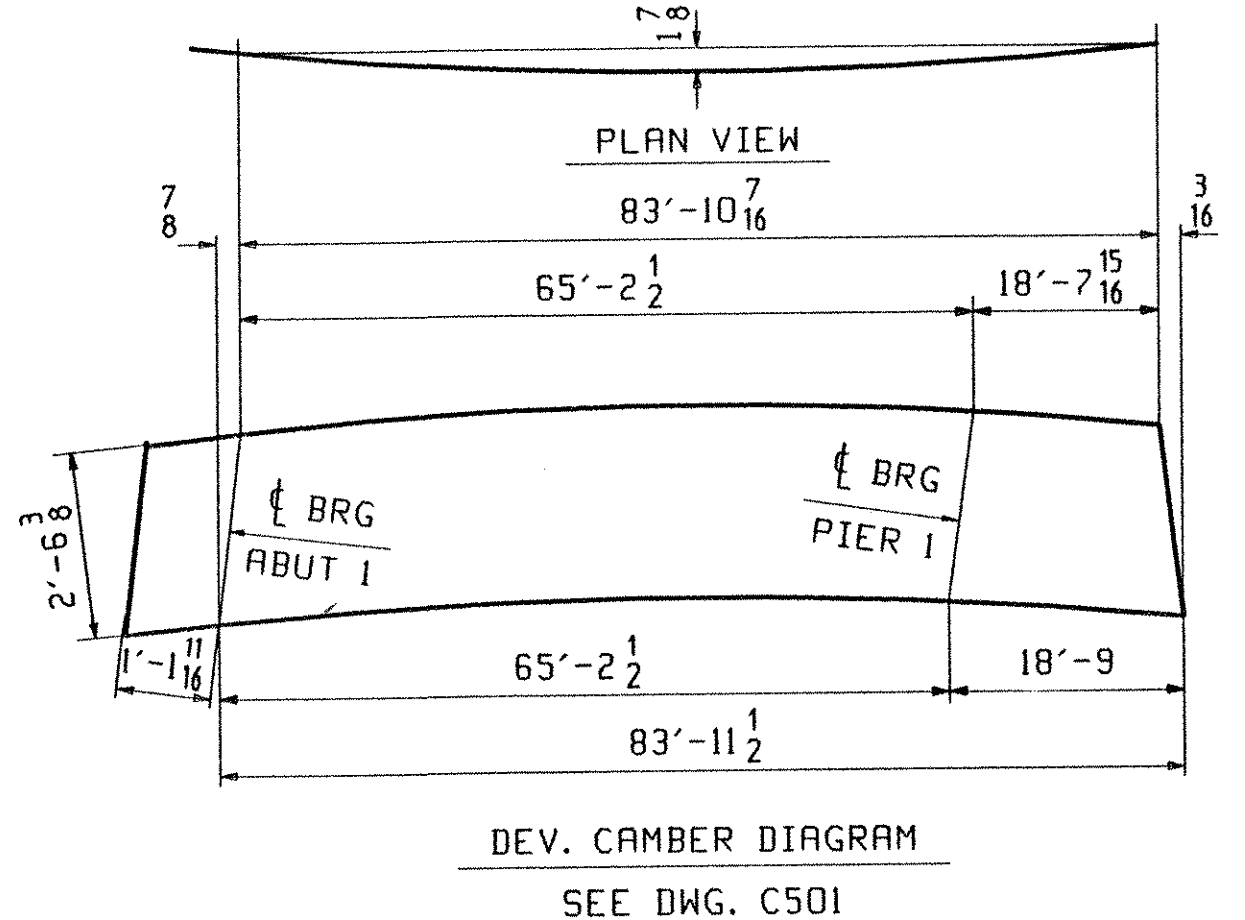
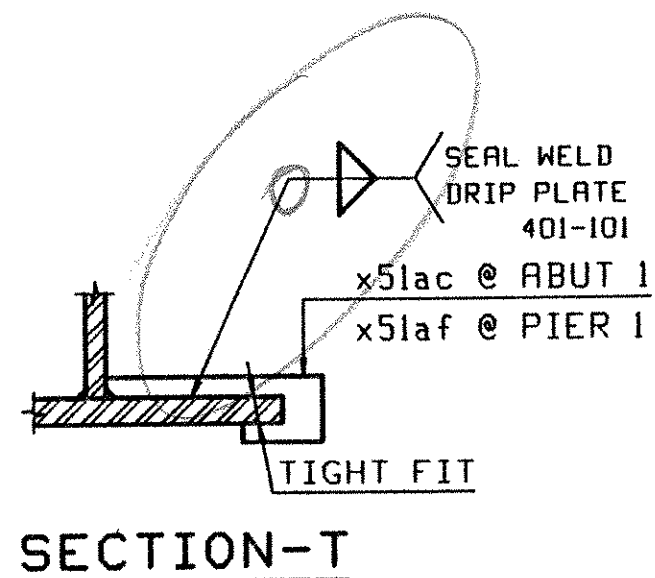
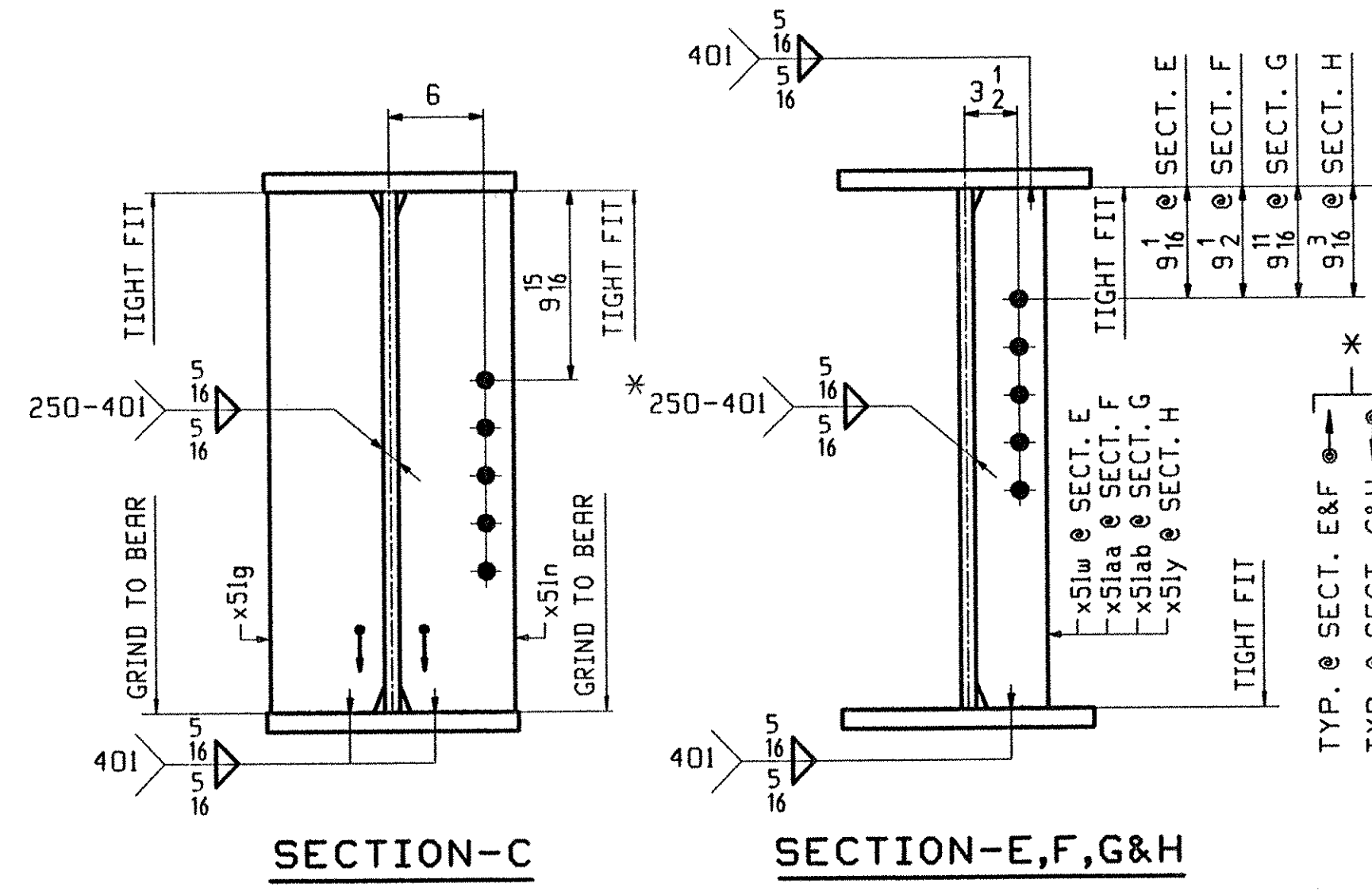
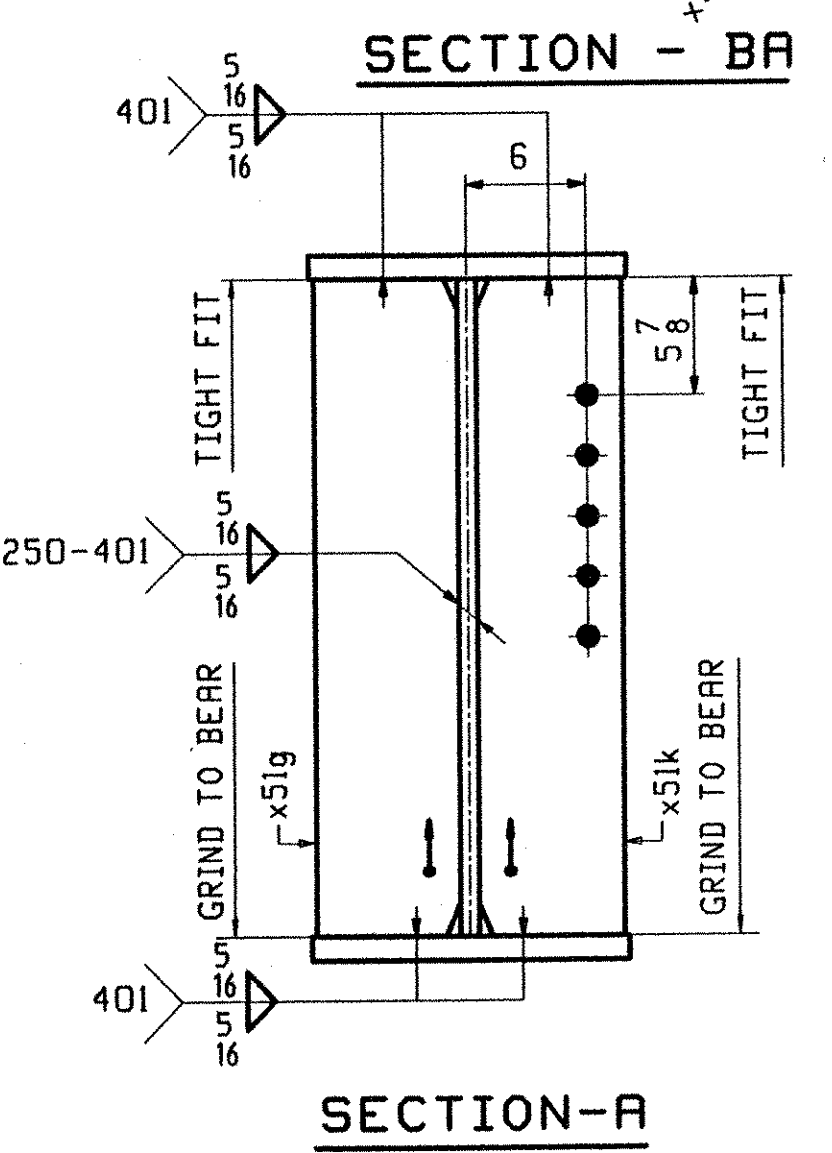
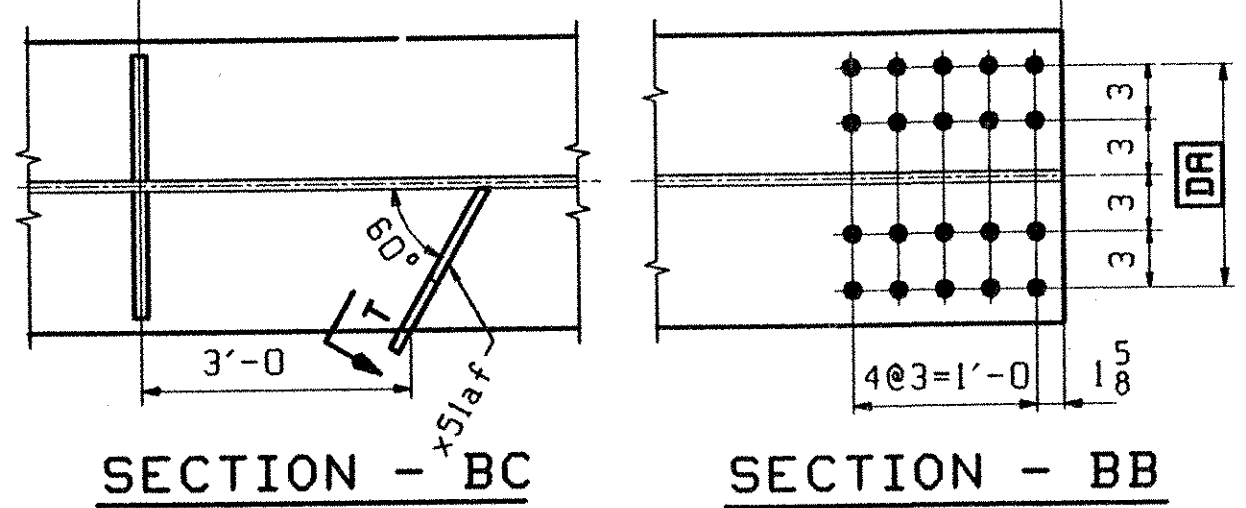


ONE - GIRDER - G5A

1. FOR GIRDER STANDARD DETAILS SEE DRAWING X51.
2. FOR CAMBER AND FLANGE DIAGRAMS SEE DRAWING C501.
3. FOR GENERAL NOTES SEE DRAWING GN501.



ABM INFO		BILL OF MATERIAL				JOB NO.	DRAWING NO.	REV.	
PAGE	LINE	MARK	QTY	MARK	MATERIAL	LENGTH FT INCHES	REMARKS	WT	PROCUREMENT NOTES
		G5A	1		GIRDER				14028
502	G		1	wa	PL 2x30 ³ / ₈	42 5 ⁵ / ₁₆	(M270-50HT2) (H2-3)		
502	S		1	wb	PL 2x30 ³ / ₈	42 7 ³ / ₈	(M270-50HT2) (H2-3)		
501	T		1	ta	PL 1/2x16	45 9 ¹ / ₄	(M270-50HT2) (H2-3)		
501	F		1	tb	PL 1/2x16	39 2 ⁷ / ₈	(M270-50HT2) (H2-3)		
501	T		1	ba	PL 1/2x16	45 10 ¹ / ₁₆	(M270-50HT2) (H2-3)		
501	B		1	bb	PL 1/2x16	39 2 ⁷ / ₈	(M270-50HT2) (H2-3)		
503	K		2	x51g	PL 7/8x2 ³ / ₄	2 6 ³ / ₈	(M270-50H)		
503	K		1	x51k	PL 7/8x2 ³ / ₄	2 6 ³ / ₈	(M270-50H)		
503	M		1	x51w	PL 1/2x5	2 6 ³ / ₈	(M270-50H)		
503	M		1	x51aa	PL 1/2x5	2 6 ³ / ₈	(M270-50H)		
503	M		1	x51ab	PL 1/2x5	2 6 ³ / ₈	(M270-50H)		
503	K		1	x51n	PL 7/8x2 ³ / ₄	2 6 ³ / ₈	(M270-50H)		
503	M		1	x51y	PL 1/2x5	2 6 ³ / ₈	(M270-50H)		
503	P		1	x51ac	PL 1/4x2 ⁷ / ₈	0 10 ¹⁵ / ₁₆	(M270-50H)		
503	P		1	x51af	PL 1/4x3 ¹ / ₁₆	0 10 ¹⁵ / ₁₆	(M270-50H)		

TVGA
Engineering, Surveying, P.C.

NO EXCEPTIONS TAKEN
FURNISH AS CORRECTED
REVISE AND RESUBMIT
ENGINEER HAS REVIEWED SHOP DRAWINGS AND SAMPLES AND OTHER DATA WHICH CONTRACTOR IS REQUIRED TO SUBMIT, ONLY FOR CONFORMANCE WITH THE INFORMATION SET IN THE CONTRACT DOCUMENTS AND COMPATIBILITY WITH THE DESIGN CONCEPT OF THE COMPLETE PROJECT AS A WHOLE, WHILE AS INDICATED IN THE CONTRACT DOCUMENTS. SHOP REVIEW IS NOT INTENDED TO INSURE, METHOD, TECHNIQUE, SEQUENCE OR PROCEDURES OF CONSTRUCTION OR TO SAFELY PRECAUTIONS AND PROGRAMS INCIDENT THERETO. CONTRACTOR IS RESPONSIBLE FOR DIMENSIONS TO BE CONFIRMED AND CONTROLLED AT THE JOB SITE, FOR INFORMATION THAT PERTAINS EARLY TO THE CONSTRUCTION PROCESS IS TO BE RESPONSIBLE OF CONSTRUCTION, AND FOR COORDINATION OF THE WORK OF ALL TRADES.

BY: *Pete W. S.T.*
DATE: 9/3/01

OUT FOR APPROVAL	4501								
OUT FOR APPROVAL									
ISSUED TO SHOP									
FIELD & OFFICE									

REV.	REMARKS	DATE	DWN	CHK	APP	O.A.	NO.	DIA.	LGT	TYPE	WASHER
	MATERIAL:										
	M270 GR 50W										
	ELECTRODES:										
	HOLES:										
	15/16 Ø (UN)										
	SHOP BOLTS:										
	7/8 Ø (UN)										
SURFACE PREP. & PAINT:											
-STEEL WITHIN 10'-0" OF ABUT I SHALL BE PAINTED (SEE GN501)											
-ALL OTHER STEEL SHALL BE BLAST CLEANED AND LEFT UNPAINTED.											
DESCRIPTION: GIRDER - G5A											
JOB: BRIDGE NO. 50S											
1-89 SB OVER U.S. ROUTE 2											
1-89 IMPROVEMENTS											
TOWN OF MIDDLESEX-BOLTON, VERMONT											
PROJ NO. IM-089-2(26)											
CUSTOMER: VERMONT AGENCY OF TRANSPORTATION											
CASCO BAY STEEL STRUCTURES, INC.											
75 SPRING HILL ROAD SACO, MAINE 04072											
PHONE (207) 282-7360 FAX. (207) 282-1179											
JOB NO. 122-505											
DRG. NO. 505											
REV. <input type="checkbox"/>											