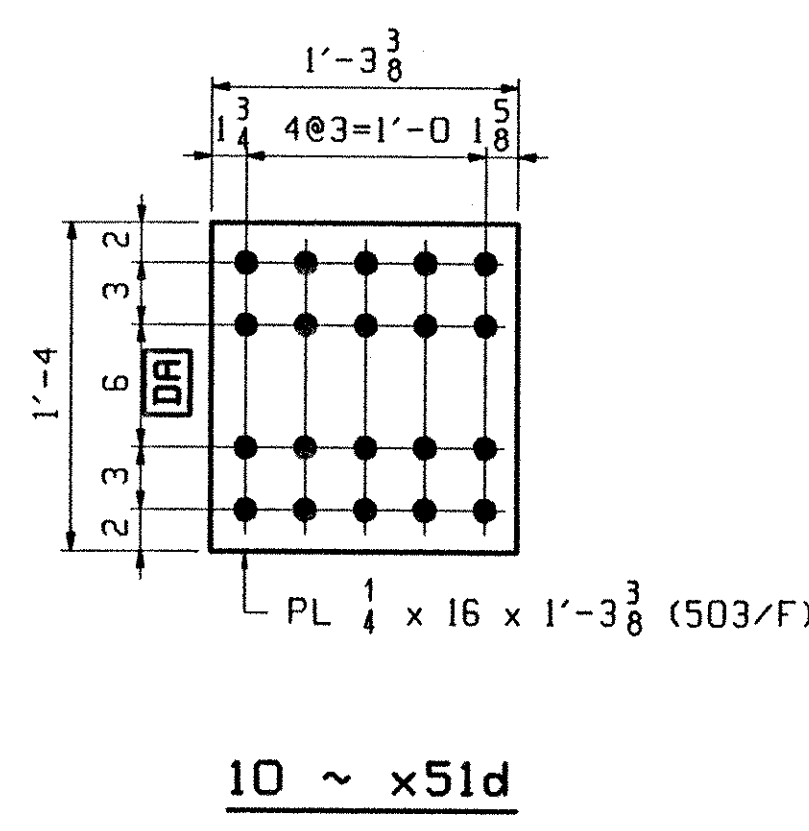
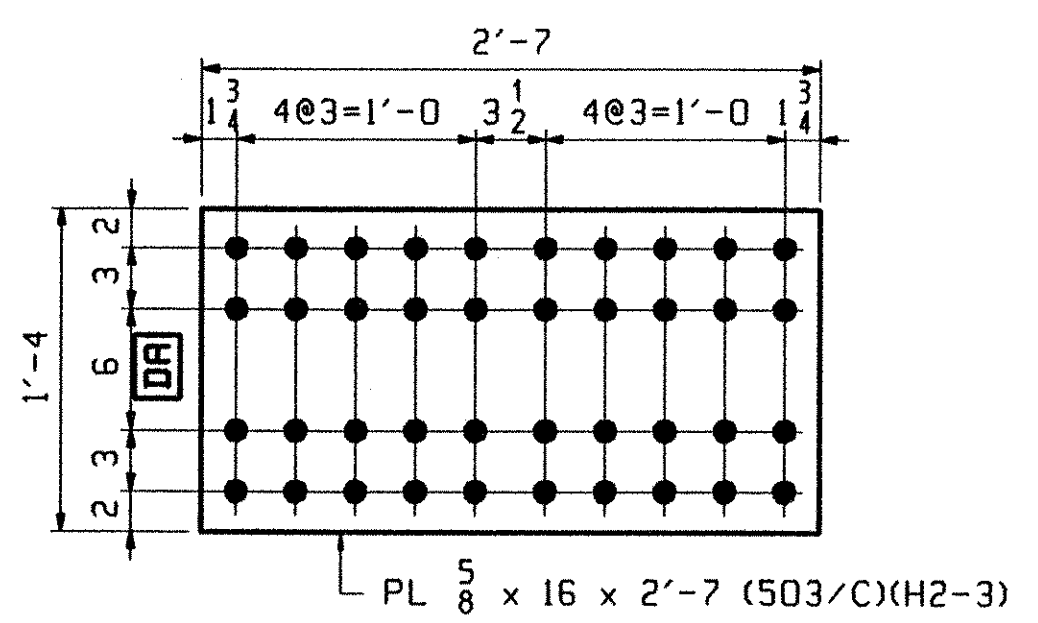


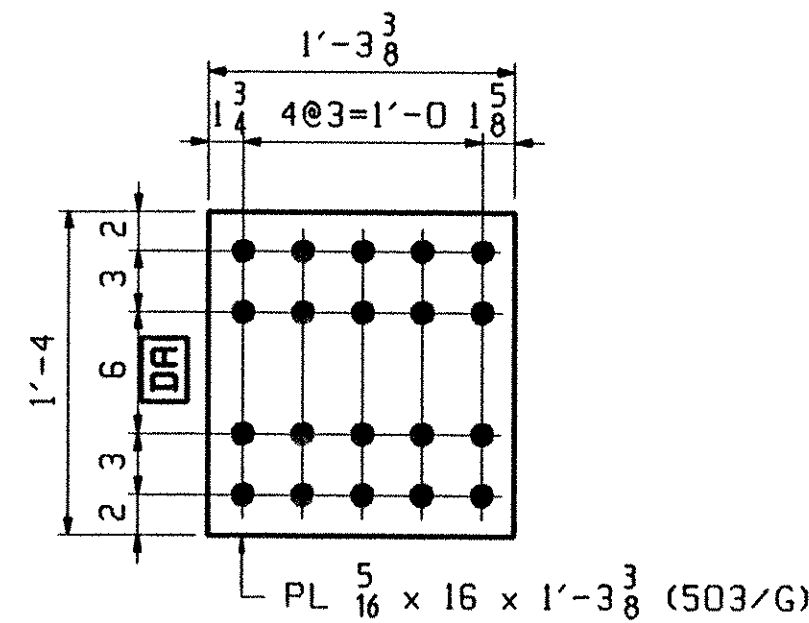
D.O.R.
20 ~ x51a



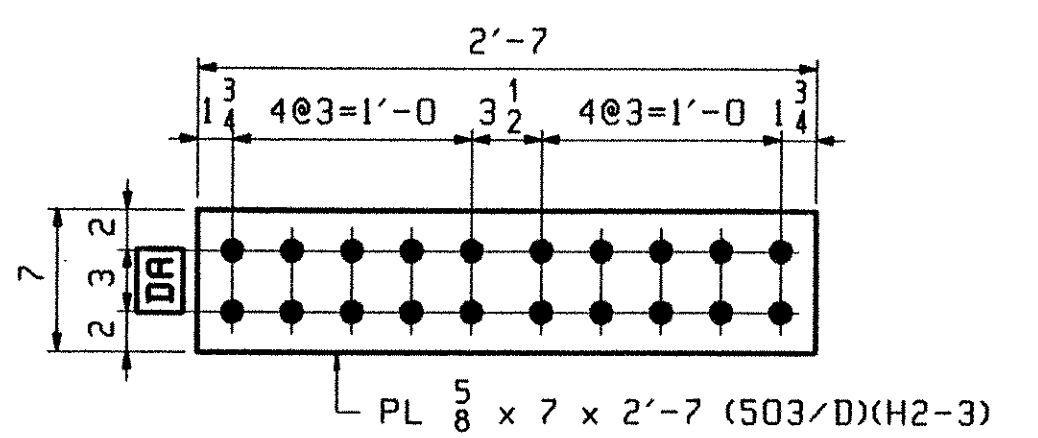
10 ~ x51d



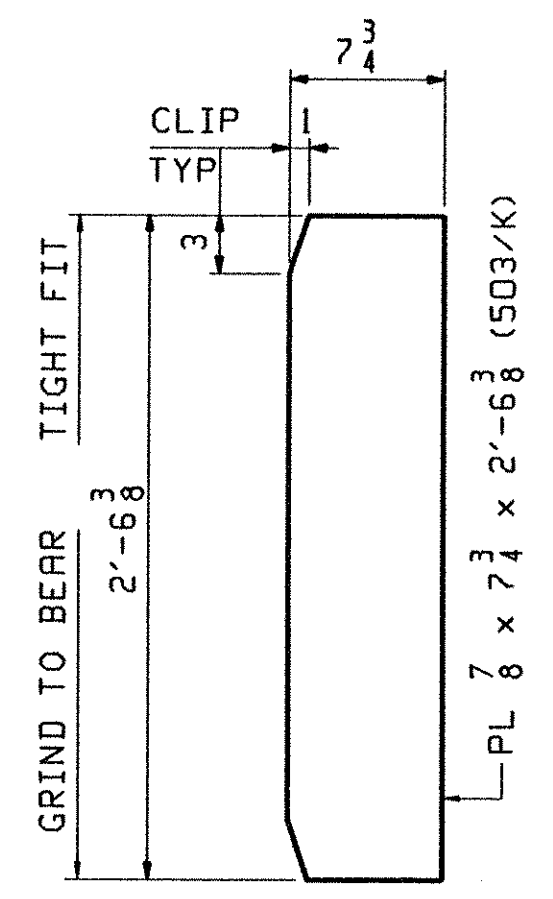
D.O.R.
20 ~ x51b



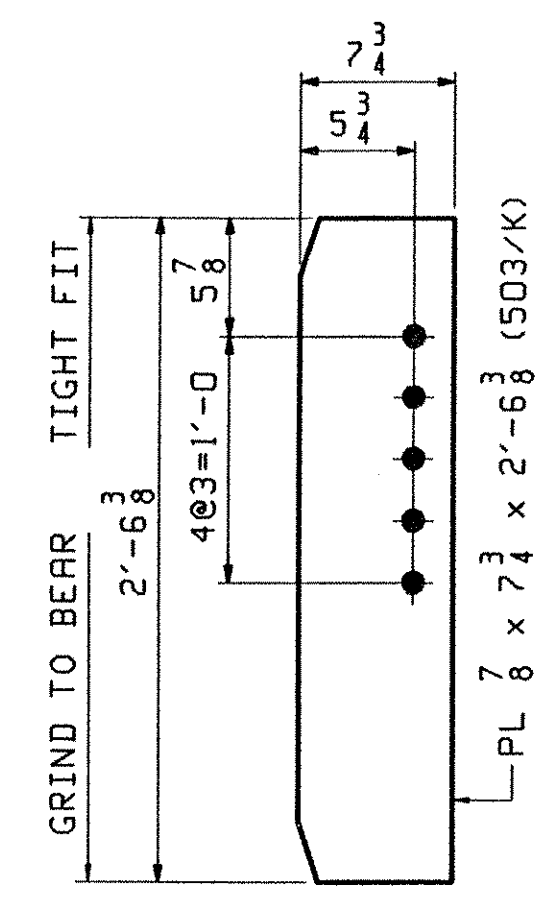
10 ~ x51f



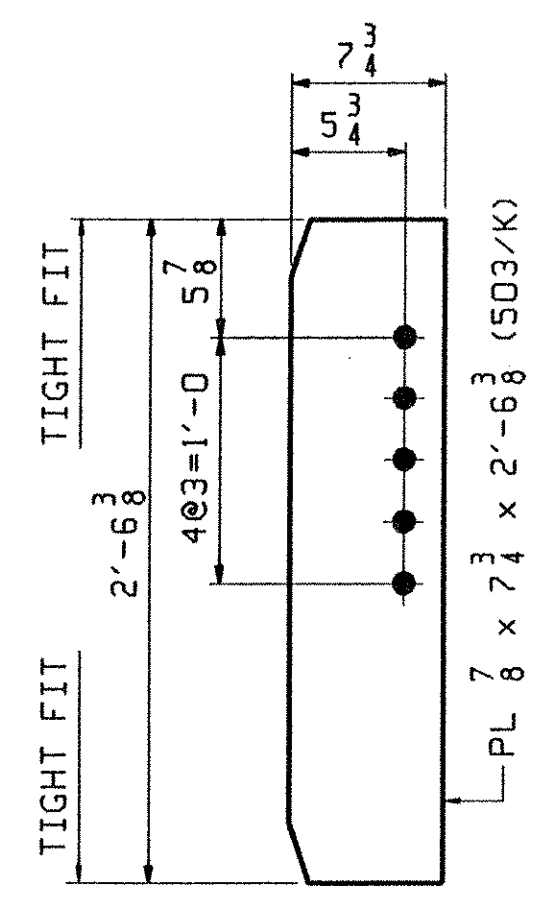
D.O.R.
40 ~ x51c



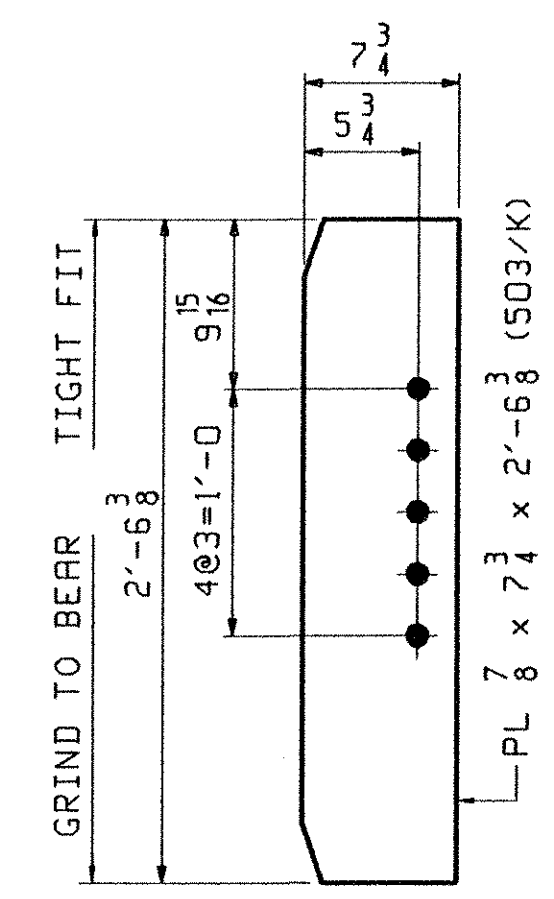
20 ~ x51g
BRG STIFF @ ABUT & PIERS



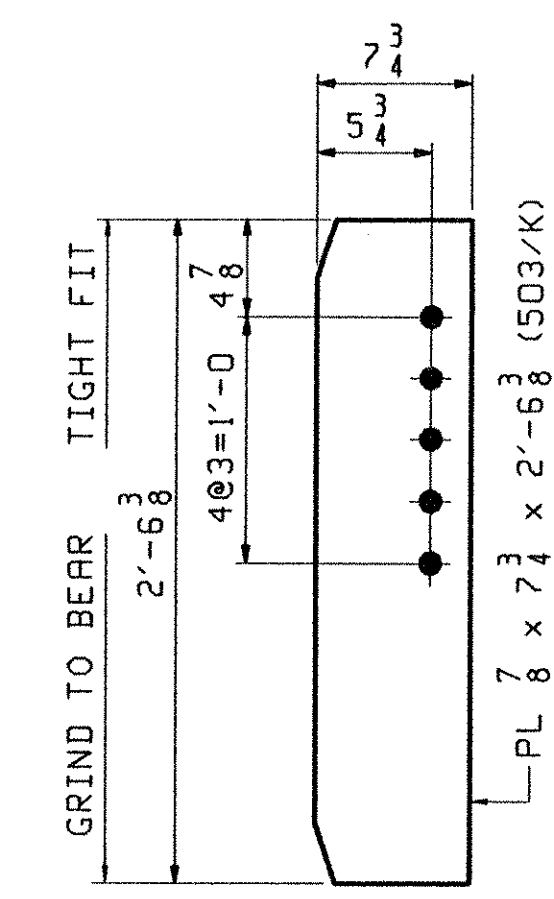
4 ~ x51k
BRG STIFF @ ABUT



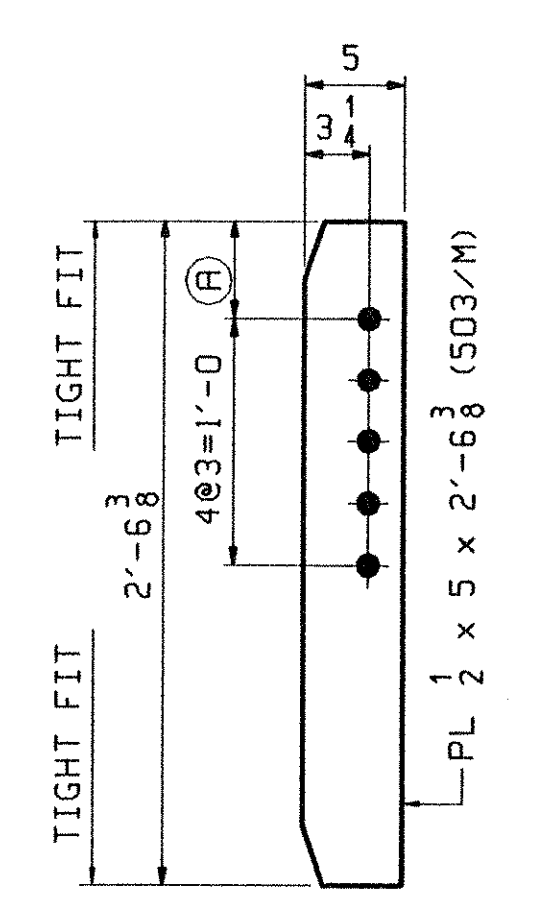
4 ~ x51m
CONN STIFF @ ABUT



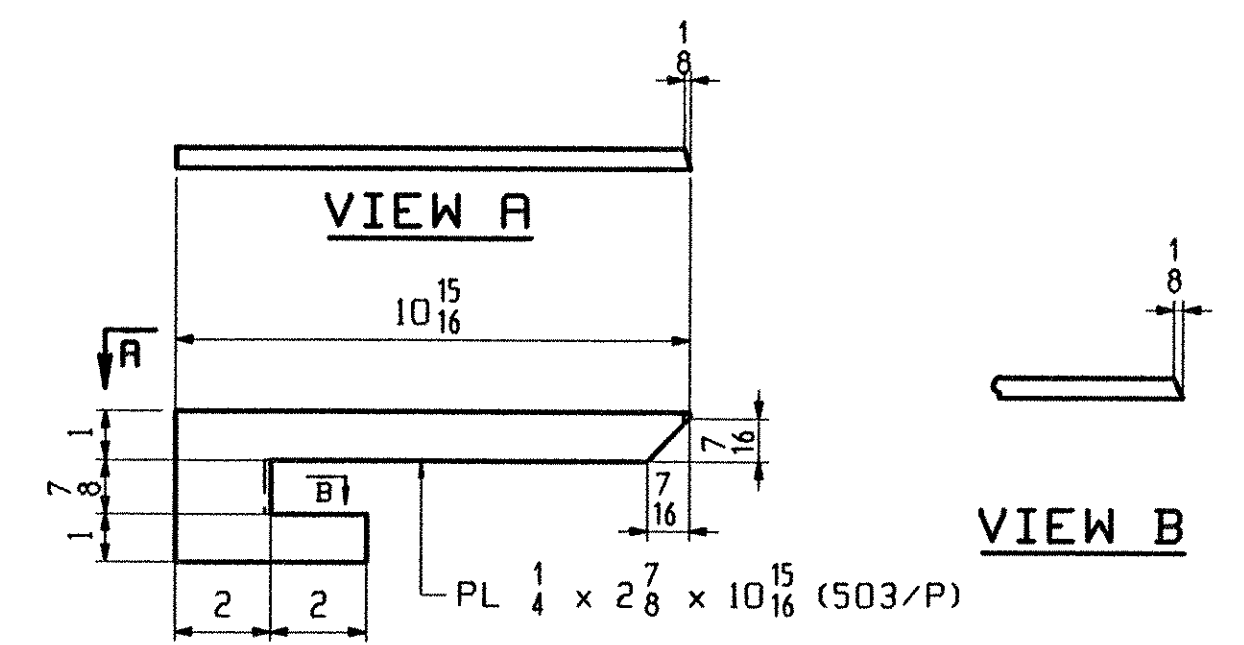
8 ~ x51n
BRG STIFF @ PIERS



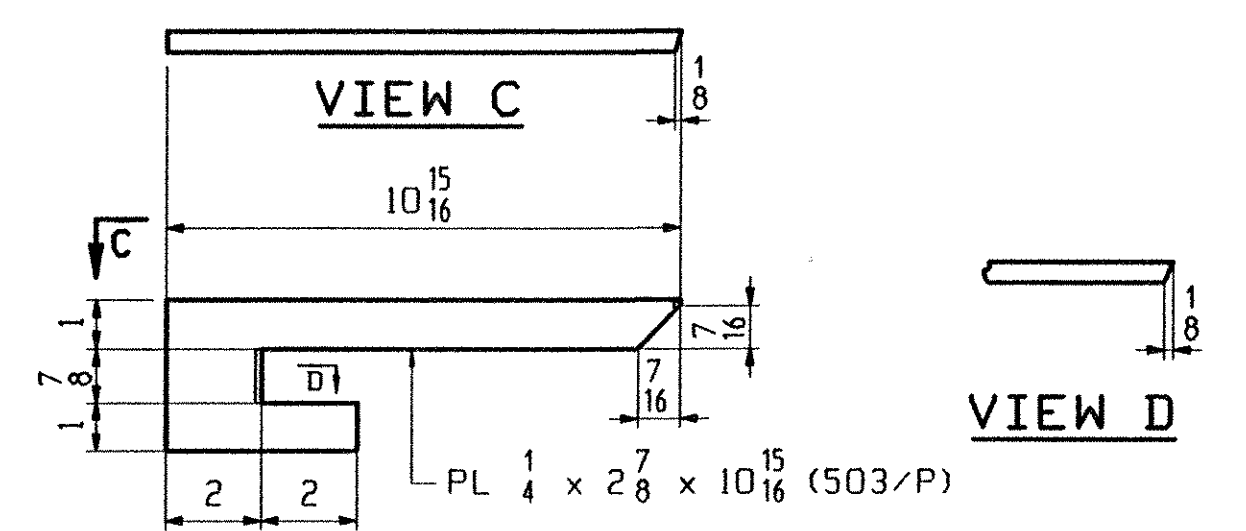
8 ~ x51p
BRG STIFF @ PIERS



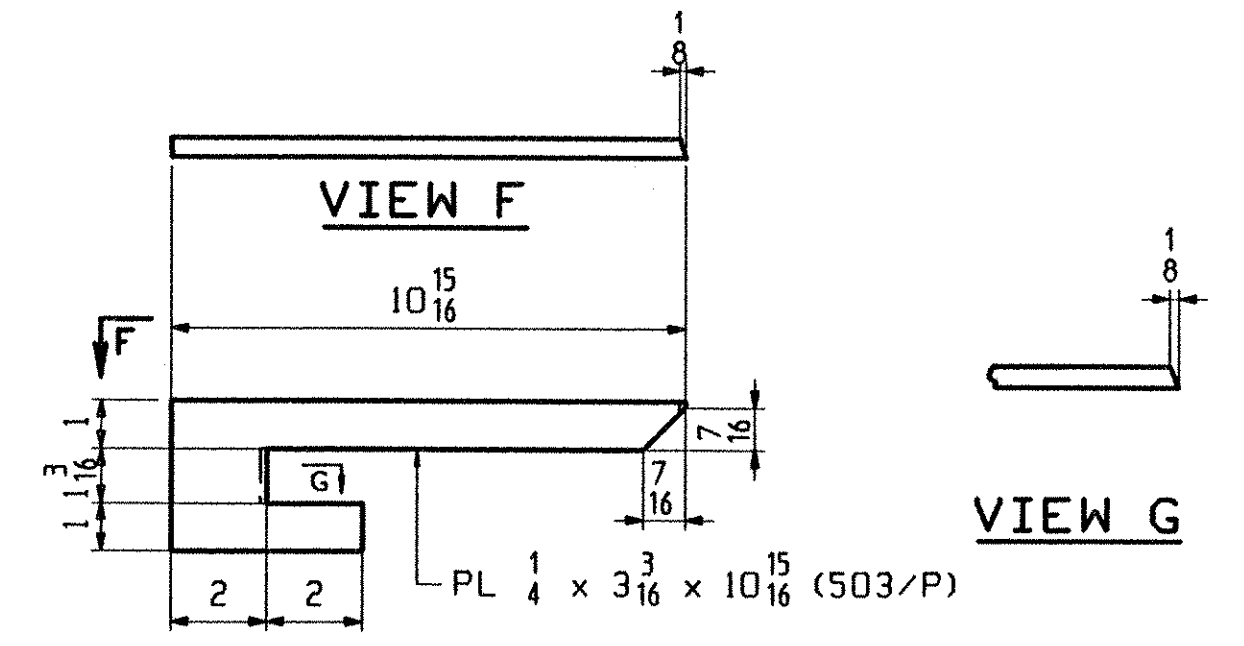
INT. CONN STIFF



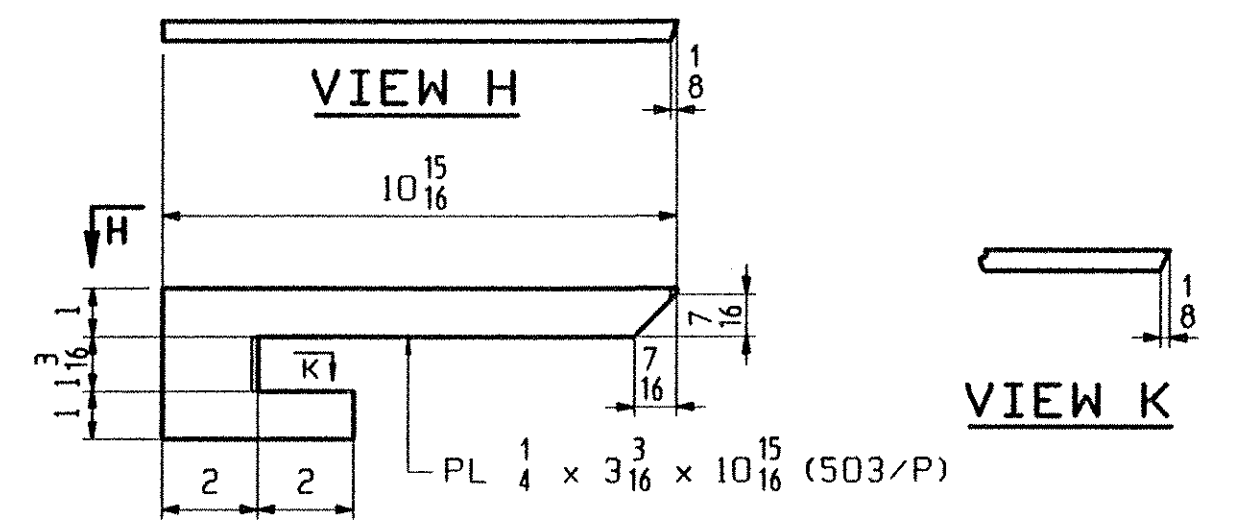
1 ~ x51ac
DRIP PL



1 ~ x51ad
DRIP PL



2 ~ x51af
DRIP PL



2 ~ x51ag
DRIP PL

MARK	REQ'D	(A)
x51t	40	7
x51w	12	9 1/16
x51y	8	9 3/16
x51aa	8	9 1/2
x51ab	12	9 11/16

NOTES:
FOR GENERAL NOTES SEE GN501
H2-3 DENOTES MATERIAL SUBJECT TO CHARPY V-NOTCH TESTING.
D.O.R. DENOTES DIRECTION OF MILL ROLLING

OUT FOR APPROVAL	4-5-01																		
ISSUED TO SHOP																			
FIELD & OFFICE																			

REV.	REMARKS	DATE	DWN	CHK	APP	O.A.	NO.	DIA.	LGT	TYPE	WASHER
	MATERIAL:										
	ELECTRODES:										
	HOLES:										
	SHOP BOLTS:										

SURFACE PREP. & PAINT:
-STEEL WITHIN 10'-0" OF ABUT I SHALL BE PAINTED (SEE GN501)
-ALL OTHER STEEL SHALL BE BLAST CLEANED AND LEFT UNPAINTED.

DESCRIPTION:	GIRDER STANDARDS	DRAWN BY	PHG	DATE	03/07/01
JOB:	BRIDGE NO. 505 I-89 SB OVER U.S. ROUTE 2 I-89 IMPROVEMENTS TOWN OF MIDDLESEX-BOLTON, VERMONT	CHKD BY	TRM	DATE	04/03/01
PROJ NO.	IM-089-2(26)	APPROV BY	W. J. GATTI	SUPERVISOR	

CUSTOMER:	VERMONT AGENCY OF TRANSPORTATION	JOB NO.	122-505	DRG. NO.	X51
CASCO BAY STEEL STRUCTURES, INC.	75 SPRING HILL ROAD PHONE (207) 282-7360	SACO, MAINE 04072	FAX. (207) 282-1179	REV.	△

TVGA
Engineering, Surveying, P.C.
 NO EXCEPTIONS TAKEN REJECTED
 FURNISH AS CORRECTED
 REVISE AND RESUBMIT
ENGINEER has reviewed Shop Drawings and Samples and other data which Contractor is required to submit, only for conformance with the information given in the Contract Documents and compatibility with the design concept of the completed Project as a functioning whole as indicated in the Contract Documents. Such review does not extend to means, methods, techniques, sequences or procedures of construction or to safety precautions and programs incident thereto. Contractor is responsible for dimensions to be confirmed and corrected at the job site; for information that pertains solely to the fabrication process or to techniques of construction, and for coordination of the work of all trades.
BY: *P. W. S. E.*
DATE: 5/3/01