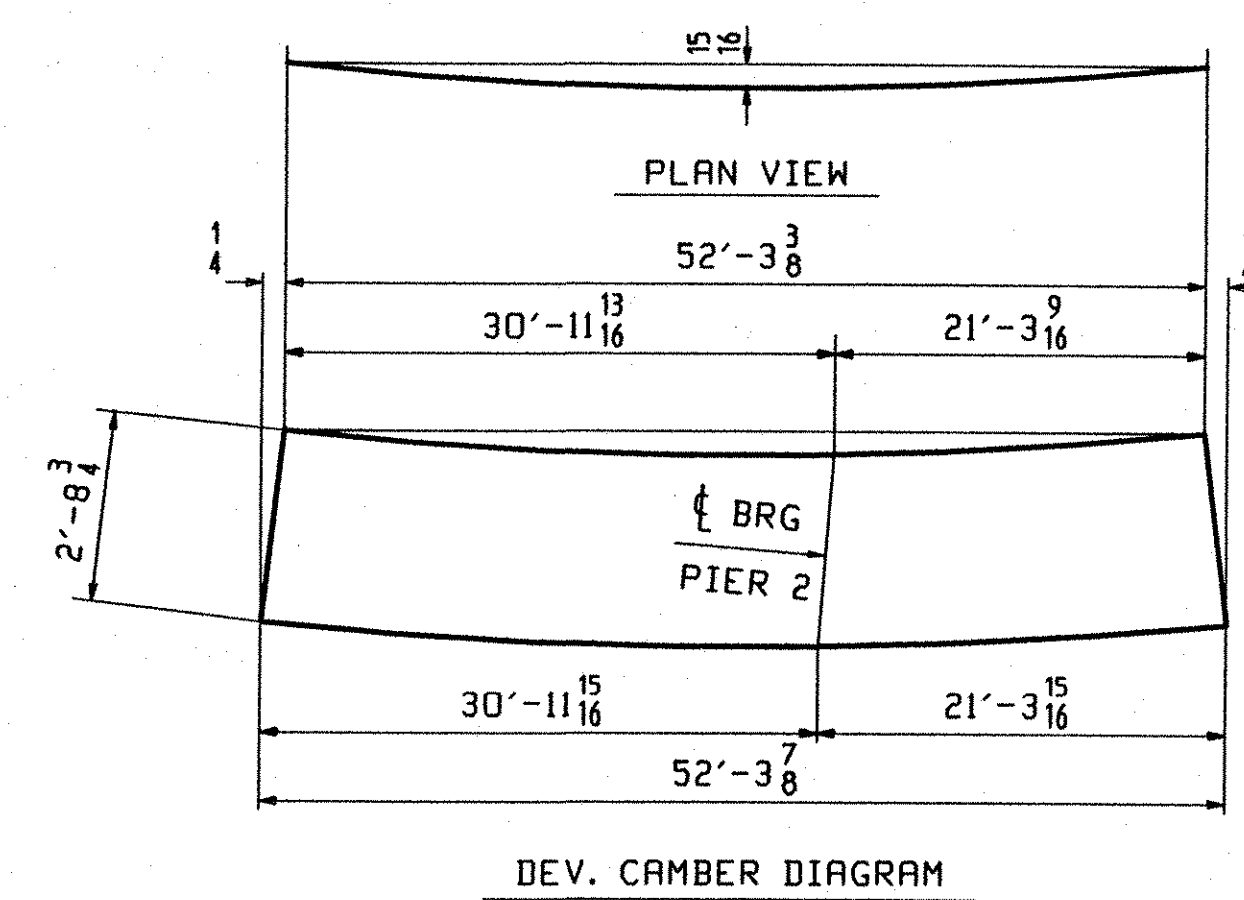
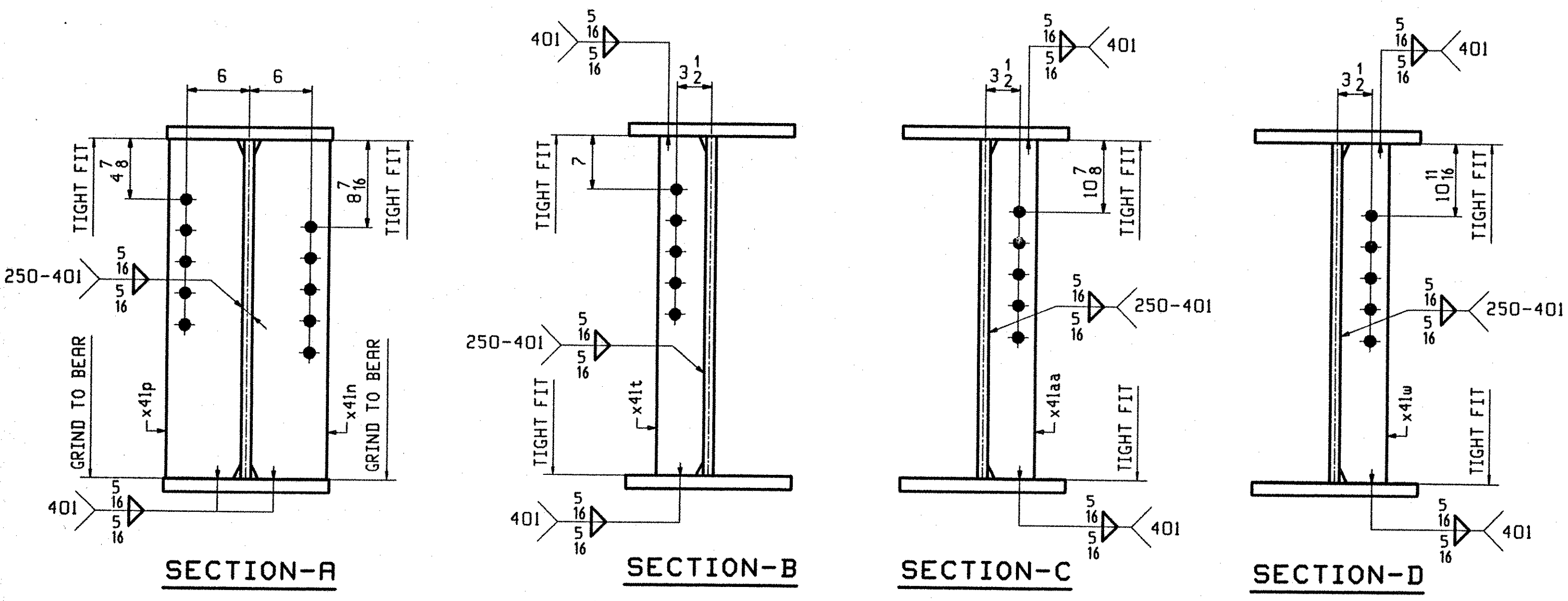
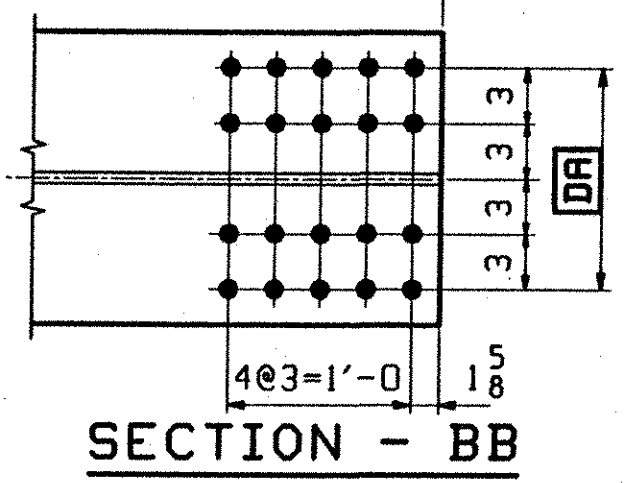
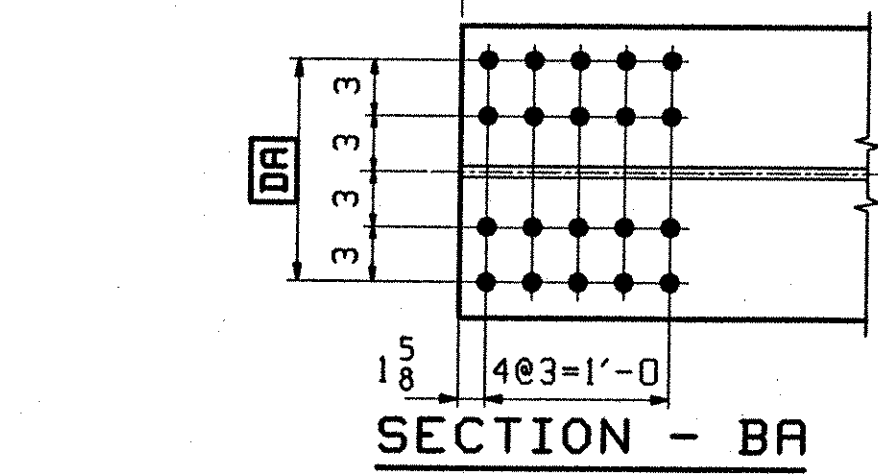


ONE - GIRDER - G3D

1. FOR GIRDER STANDARD DETAILS SEE DRAWING X41.
2. FOR CAMBER AND FLANGE DIAGRAMS SEE DRAWING C402.
3. FOR HORIZONTAL CURVING DIAGRAM SEE DRAWING HC401.
4. FOR GENERAL NOTES SEE DRAWING GN301.



ABM INFO		SHIP				BILL OF MATERIAL			JOB NO.	DRAWING NO.	REV.
PAGE	LINE	MARK	QTY	MARK	MATERIAL	LENGTH FT	INCHES	REMARKS	WT	PROCUREMENT NOTES	
		G3D	1		GIRDER				12522		
401	N		1	wa	PL 1/2x3/4	52	3/4	(M270-50WT2)			
401	C		1	ta	PL 1/8x16	52	3/8	(M270-50WT2)			
401	C		1	ba	PL 1/8x16	52	3/8	(M270-50WT2)			
402	M		2	x41t	PL 1/2x5	2	3/4				
402	M		1	x41w	PL 1/2x5	2	3/4				
402	K		1	x41p	PL 7/8x7 1/2	2	3/4				
402	K		1	x41n	PL 7/8x7 1/2	2	3/4				
402	M		1	x41a	PL 1/2x5	2	3/4				

TVGA
Engineering, Surveying, P.C.

NO EXCEPTIONS TAKEN REJECTED
 FURNISH AS CORRECTED
 REVISE AND RESUBMIT
 ENGINEER has reviewed Shop Drawings and Samples and other data which Contractor is required to submit, and for conformance with the information given in the Contract Documents and compatibility with the design concept of the completed Project as a determining factor as indicated in the Contract Documents. Such reviews do not extend to means, methods, techniques, sequences or procedures of construction or to safety precautions and programs incident thereto. Contractor is responsible for dimensions to be confirmed and corrected at the job site; for information that pertains solely to the fabrication processes or to techniques of construction, and for coordination of the work of all trades.

BY: *[Signature]*
DATE: 02-11-2002

OUT FOR APPROVAL	0-03-01									
OUT FOR APPROVAL										
ISSUED TO SHOP										
FIELD & OFFICE										

REV.	REMARKS	DATE	DMN	CHK	APP	Q.A.	NO.	DIA.	LGT	TYPE	WASHER
	MATERIAL: M270 GR. 50W (UN)										
	ELECTRODES:										
	HOLES:										
	SHOP BOLTS:										

SURFACE PREP. & PAINT: - STEEL WITHIN 10'-0" OF ABUT. 2 SHALL BE PAINTED (SEE GN301) - ALL OTHER STEEL SHALL BE BLAST CLEANED AND LEFT UNPAINTED.	
DESCRIPTION: GIRDER - G3D	DRAWN BY: BM
JOB: I-89 NB OVER LITTLE RIVER	DATE: 08/02
I-89 IMPROVEMENTS	CHKD BY: ELC
BETWEEN TOWNS OF MIDDLESEX & BOLTON	APPROV BY: H. J. GATTI
COUNTY OF WASHINGTON VERMONT	SUPERVISOR: H. J. GATTI
PROJ NO. IM-089-2(26)	Q.A.
CUSTOMER: VERMONT AGENCY OF TRANSPORTATION	
CASCO BAY STEEL STRUCTURES, INC.	JOB NO. 119-48N
75 SPRING HILL ROAD SACO, MAINE 04072	DRG. NO. 418
PHONE (207) 282-7360 FAX. (207) 282-1179	REV. <input type="checkbox"/>