

JOB NO.		DRAWING NO.		REV.		
417		417				
ABM INFO	SHIP	BILL OF MATERIAL		REMARKS	WT	PROCUREMENT NOTES
PAGE	LINE	MARK	QTY	MATERIAL	LENGTH FT INCHES	
		G2D	1	GIRDER		12522
401	N		1 wa	PL 1/2 x 3/4	52 3/8	(H270-50WT2) (H2-3)
401	C		1 ta	PL 1/2 x 16	52 3/8	(H270-50WT2) (H2-3)
401	C		1 ba	PL 1/2 x 16	52 3/8	(H270-50WT2) (H2-3)
402	H		2 x4lt	PL 1/2 x 5	2 8 3/4	
402	M		1 x4lw	PL 1/2 x 5	2 8 3/4	
402	K		1 x4lp	PL 7/8 x 7 3/4	2 8 3/4	
402	K		1 x4ln	PL 7/8 x 7 3/4	2 8 3/4	
402	H		1 x4laa	PL 1/2 x 5	2 8 3/4	

TVGA
Engineering, Surveying, P.C.

NO EXCEPTIONS TAKEN REJECTED
 FURNISH AS CORRECTED
 REVISION AS CORRECTED
 ENGINEER has reviewed Shop Drawings and Samples and other data which Contractor is required to submit, and for performance with the fabrication given in the Contract Documents and compatibility with the design concept of the completed Project as a foundation while as indicated in the Documents. Such review does not extend to means, methods, techniques, sequences or procedures of construction or to safety precautions and programs to be followed. Contractor is responsible for compliance to be confirmed and coordinated at the job site, for information that pertains solely to the fabrication processes or to techniques of construction; and for coordination of the work of all trades.

BY: MMB
 DATE: 01-11-2007

OUT FOR APPROVAL	<u>01-23-07</u>								
OUT FOR APPROVAL									
ISSUED TO SHOP									
FIELD & OFFICE									

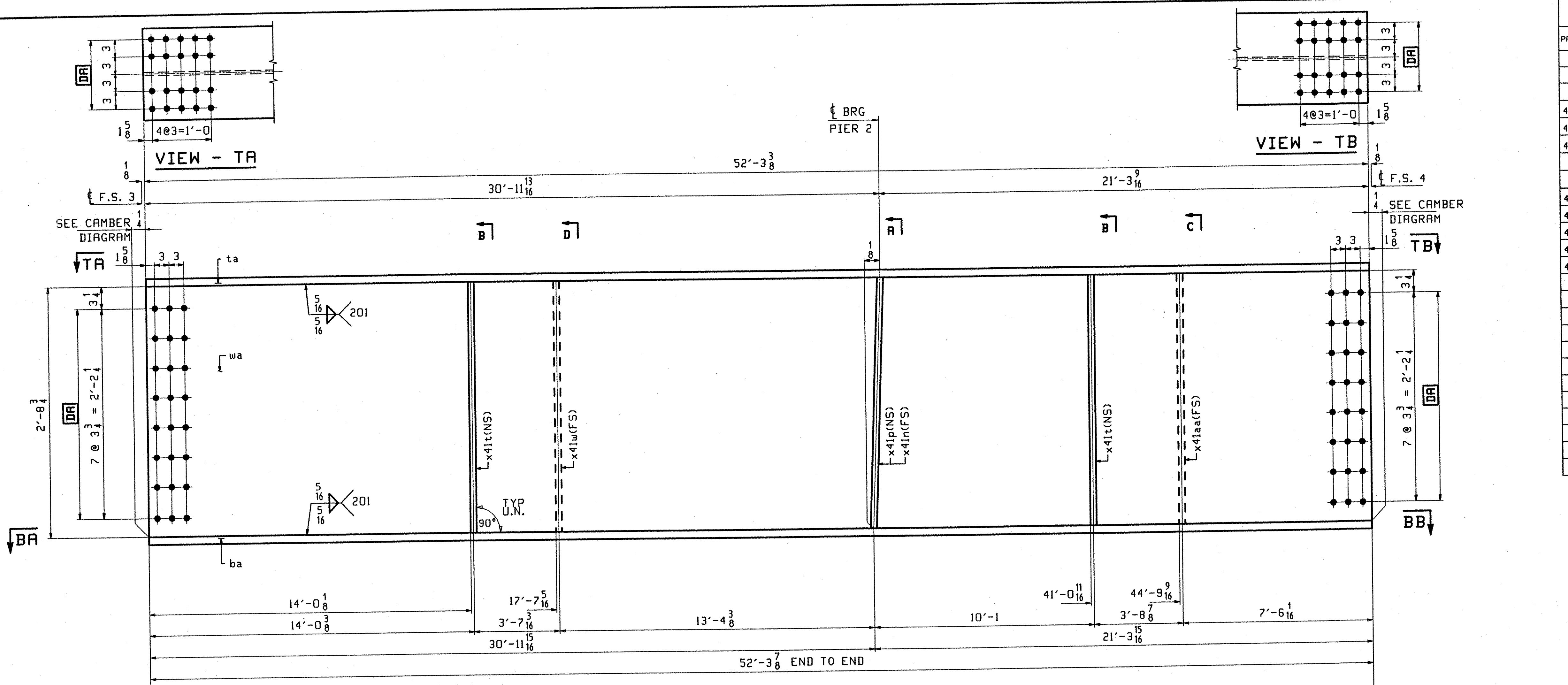
REV.	REMARKS	DATE	DWN	CHK	APP	Q.A.	NO.	DIA.	LGT	TYPE	WASHER
	MATERIAL: M270 GR. 50W (UN)							15/16 φ (U.N.)			7/8 φ (U.N.)

SURFACE PREP. & PAINT:
 - STEEL WITHIN 10'-0" OF ABUT. 2 SHALL BE PAINTED (SEE GN301)
 - ALL OTHER STEEL SHALL BE BLAST CLEANED AND LEFT UNPAINTED.

DESCRIPTION:	GIRDER - G2D	DRAWN BY	DATE
JOB:	I-89 NB OVER LITTLE RIVER	BW	08/02
	I-89 IMPROVEMENTS	CHKD BY	
	BETWEEN TOWNS OF MIDDLESEX & BOLTON	ELC	9/12/01
	COUNTY OF WASHINGTON VERMONT	APPROV BY	
		SUPERVISOR	W. J. GATTI
PROJ NO.	IM-089-2(26)	Q.A.	

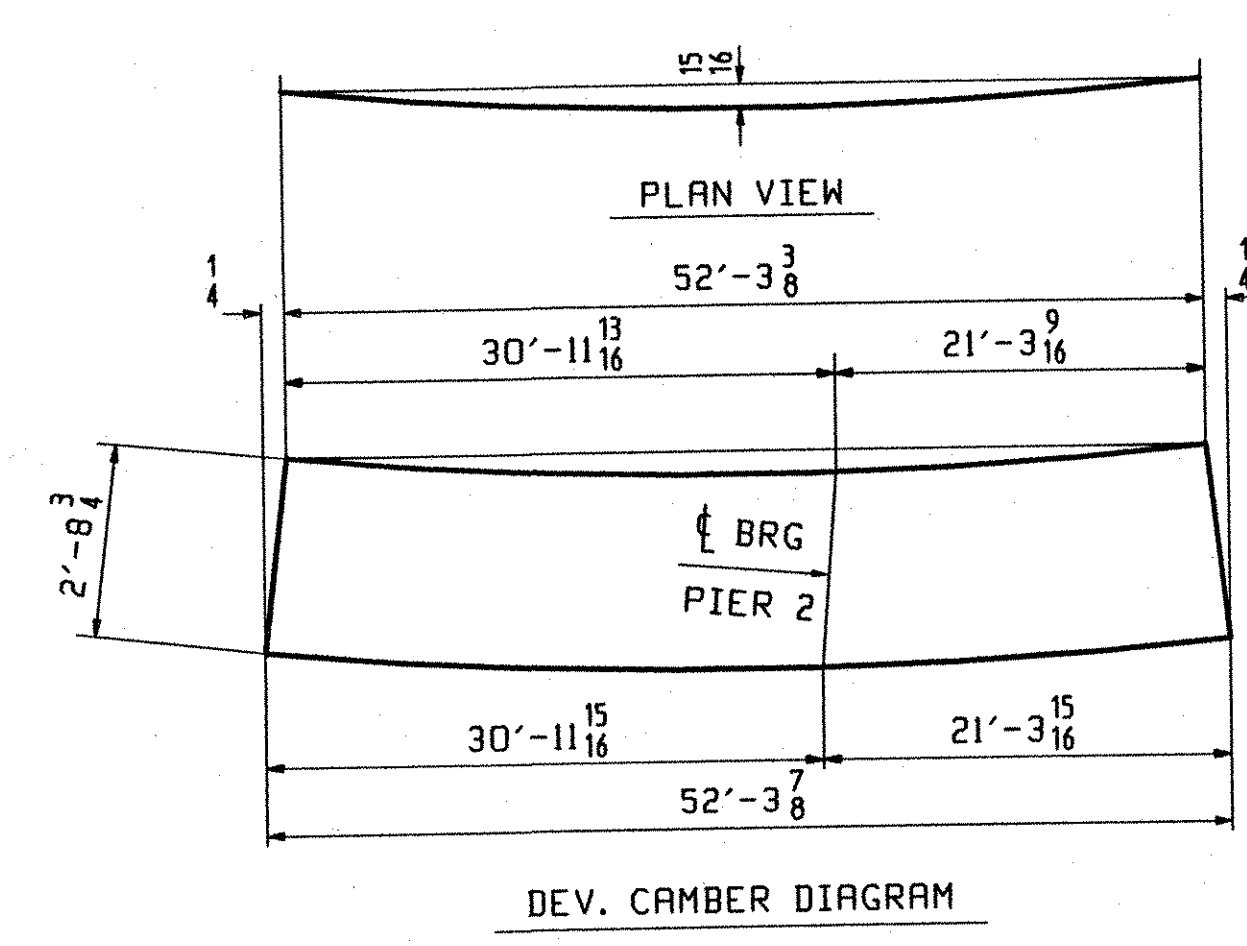
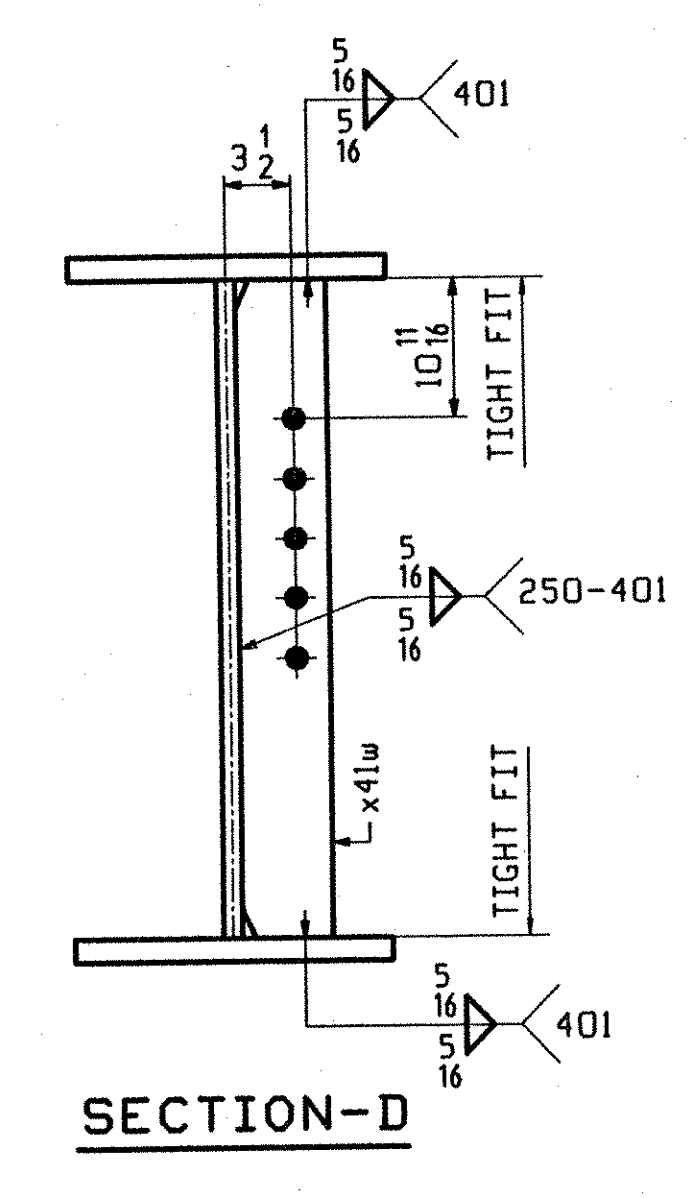
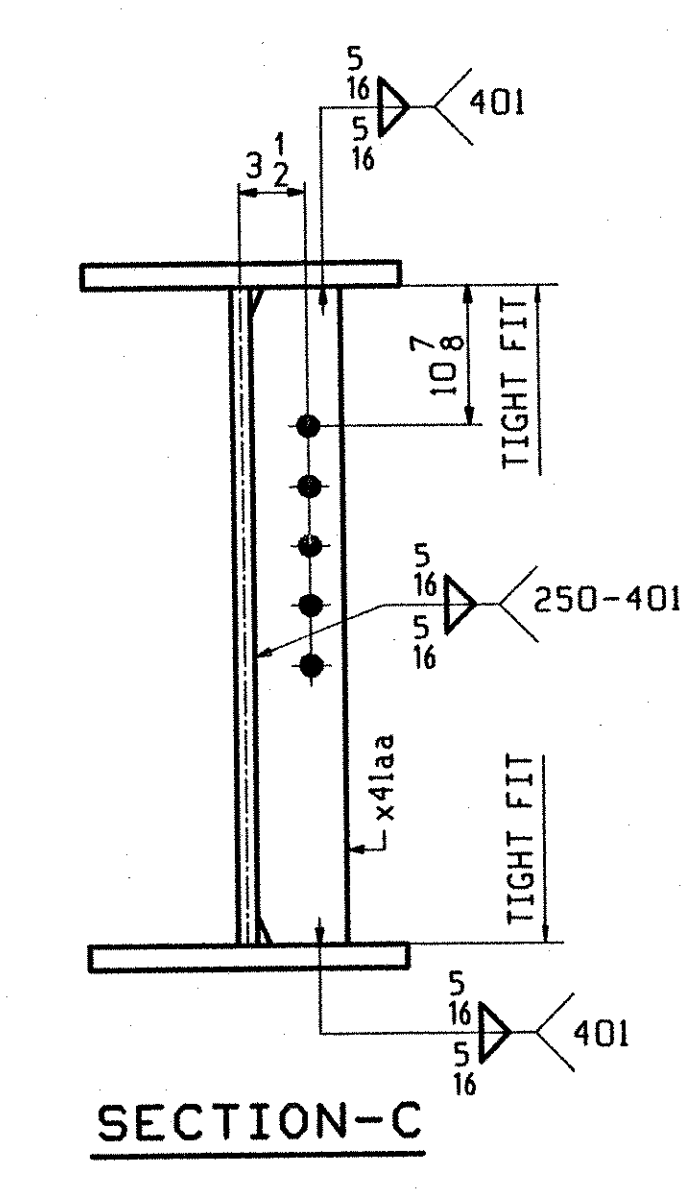
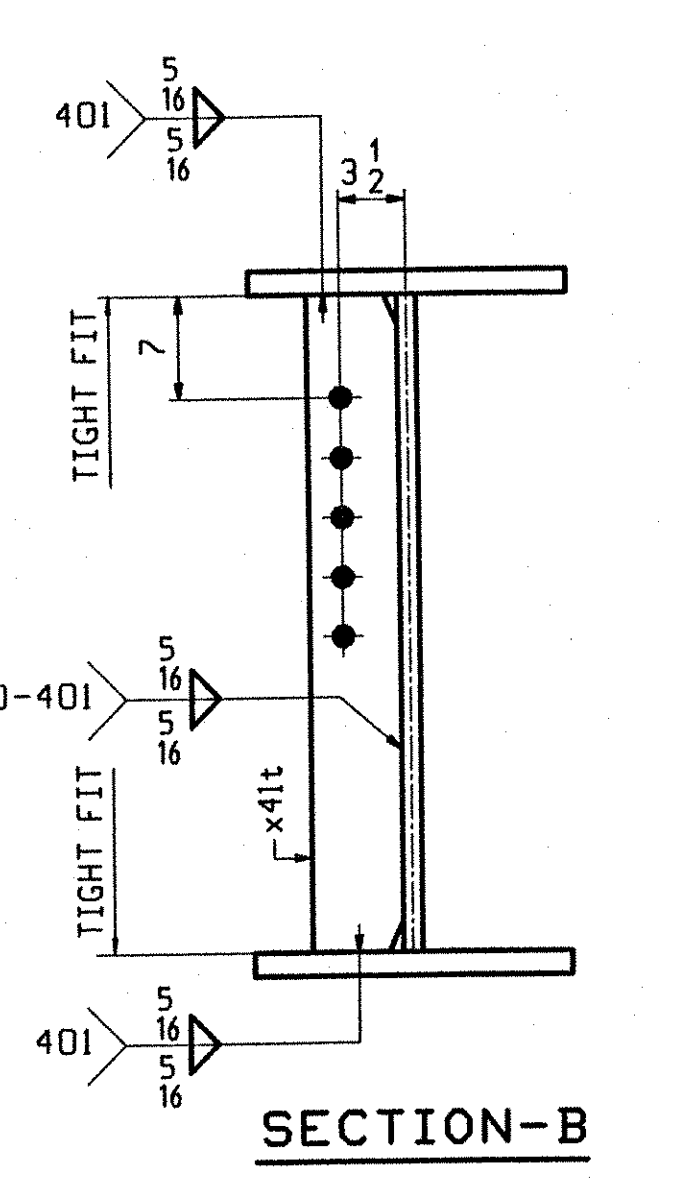
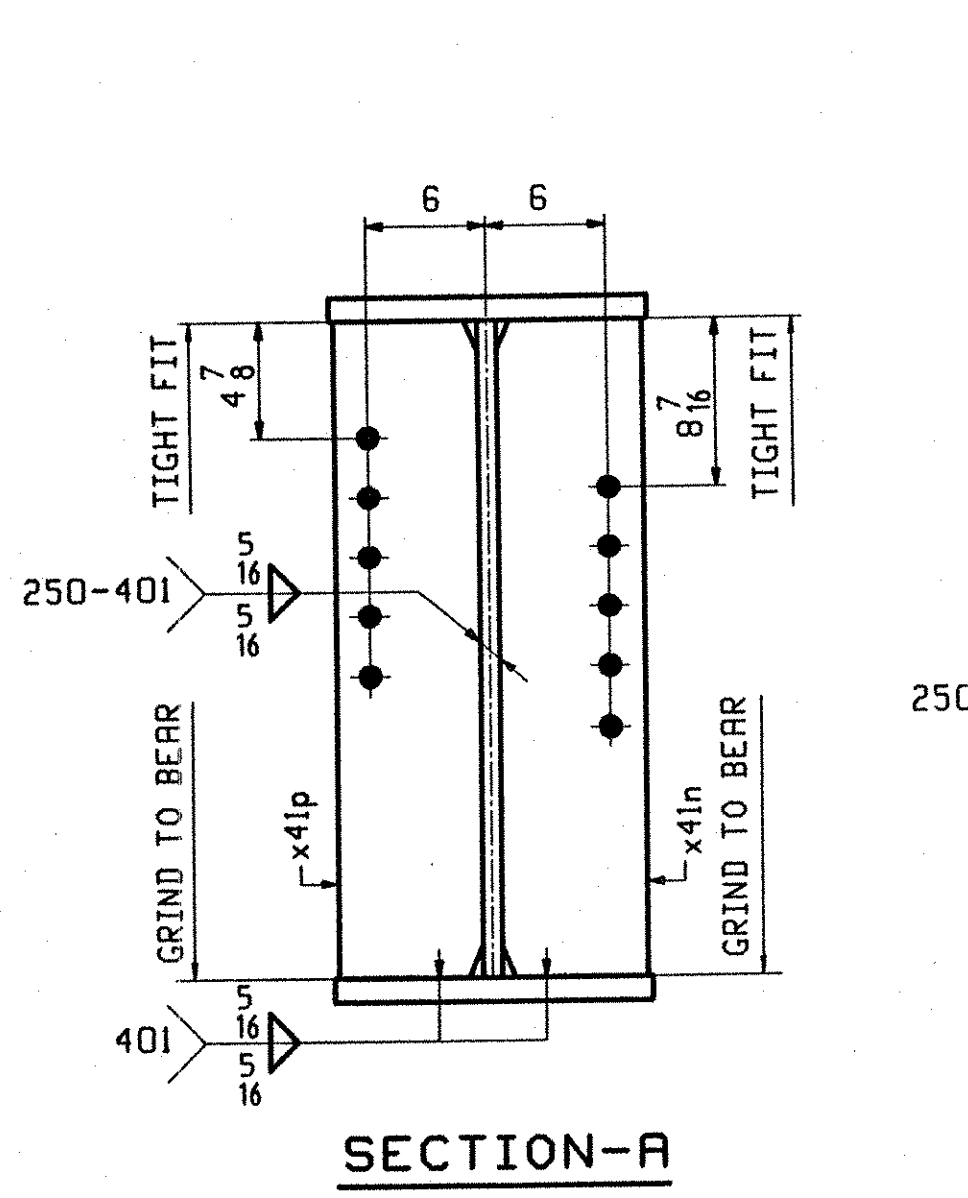
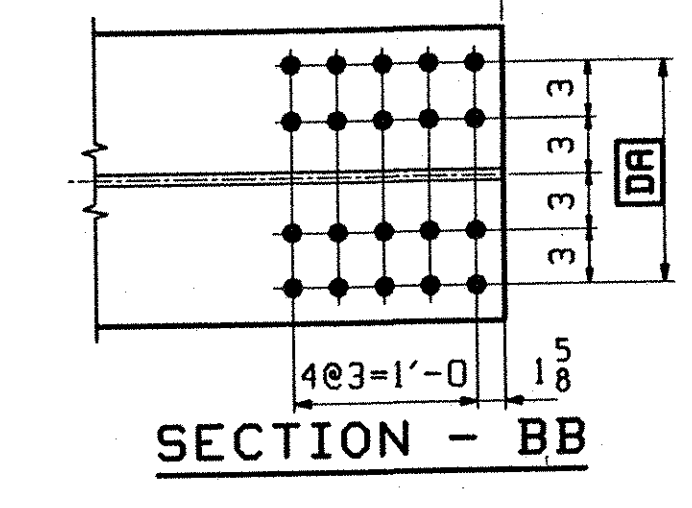
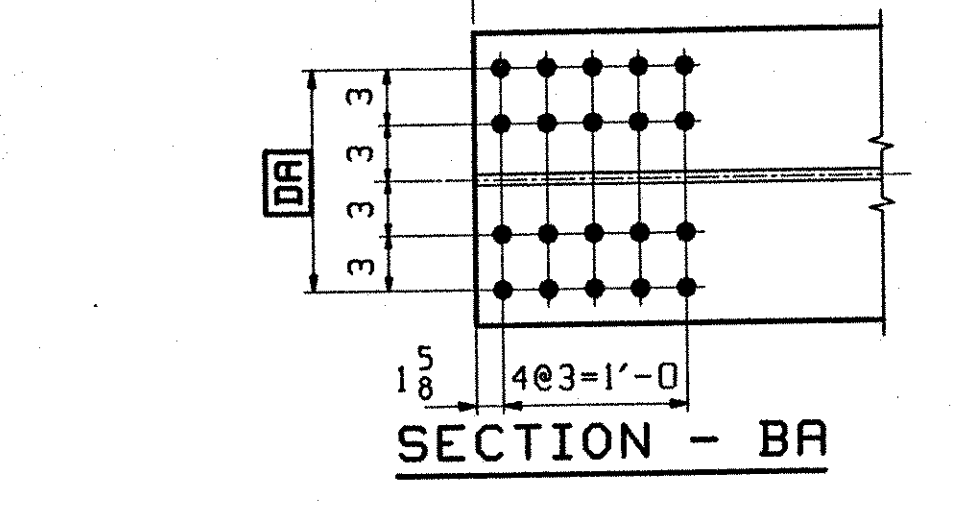
CUSTOMER:	VERMONT AGENCY OF TRANSPORTATION	JOB NO.	DRG. NO.
		119-48N	417
			REV. <input type="checkbox"/>

CASCO BAY STEEL STRUCTURES, INC.
 75 SPRING HILL ROAD SACO, MAINE 04072
 PHONE (207) 282-7360 FAX. (207) 282-1179



ONE - GIRDER - G2D

1. FOR GIRDER STANDARD DETAILS SEE DRAWING X41.
2. FOR CAMBER AND FLANGE DIAGRAMS SEE DRAWING C402.
3. FOR HORIZONTAL CURVING DIAGRAM SEE DRAWING HC401.
4. FOR GENERAL NOTES SEE DRAWING GN301.



This file is not to be used for any other project without the written consent of TVGA.