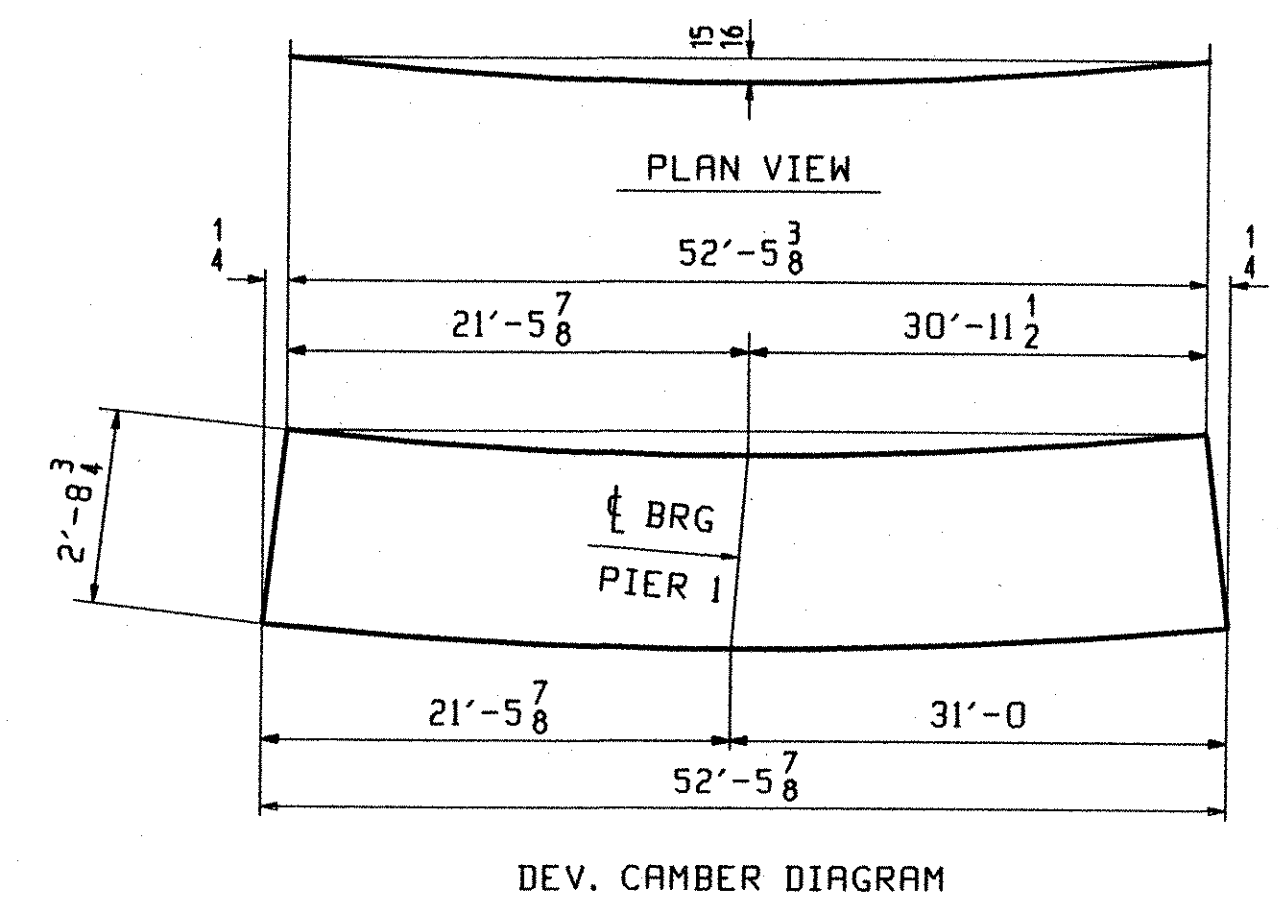
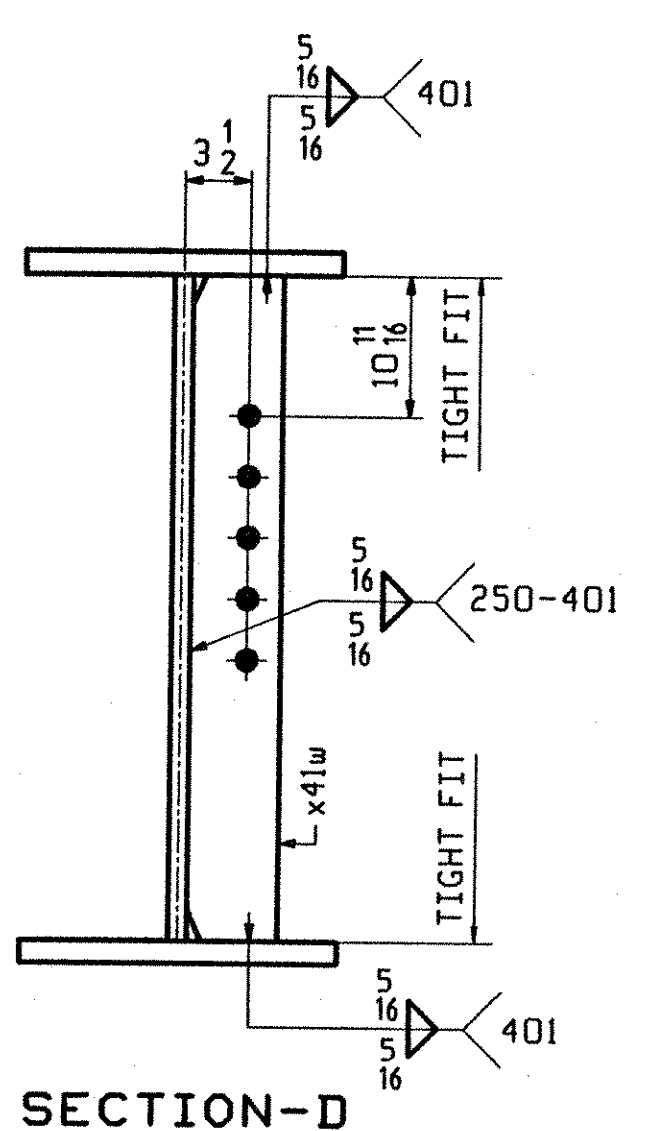
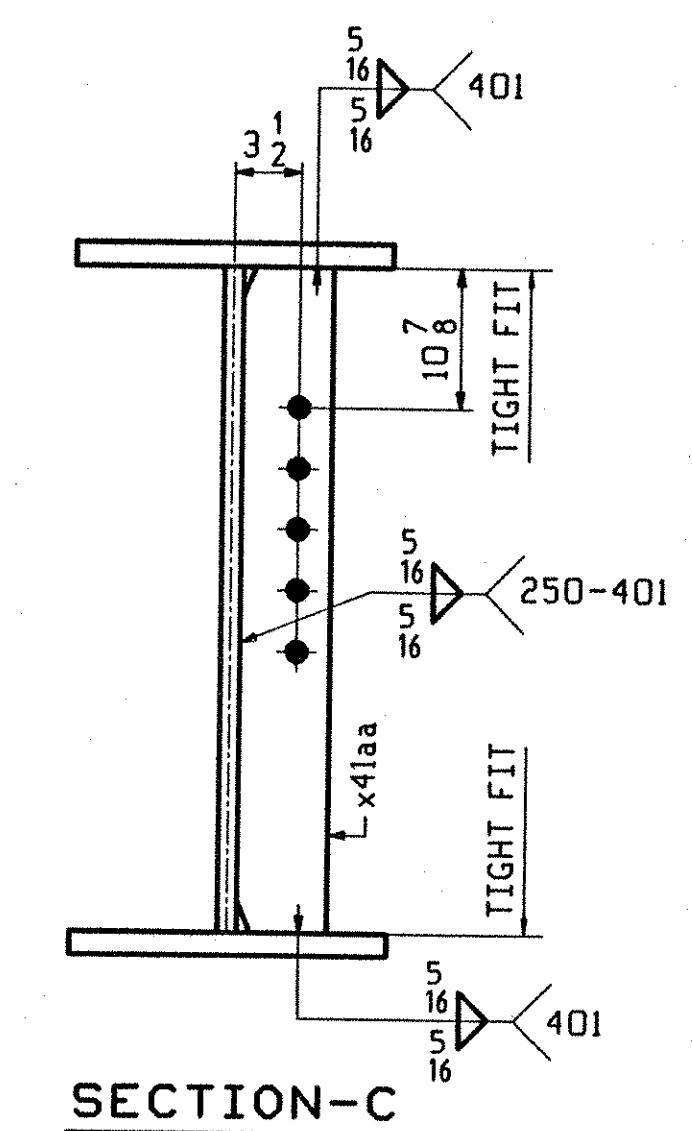
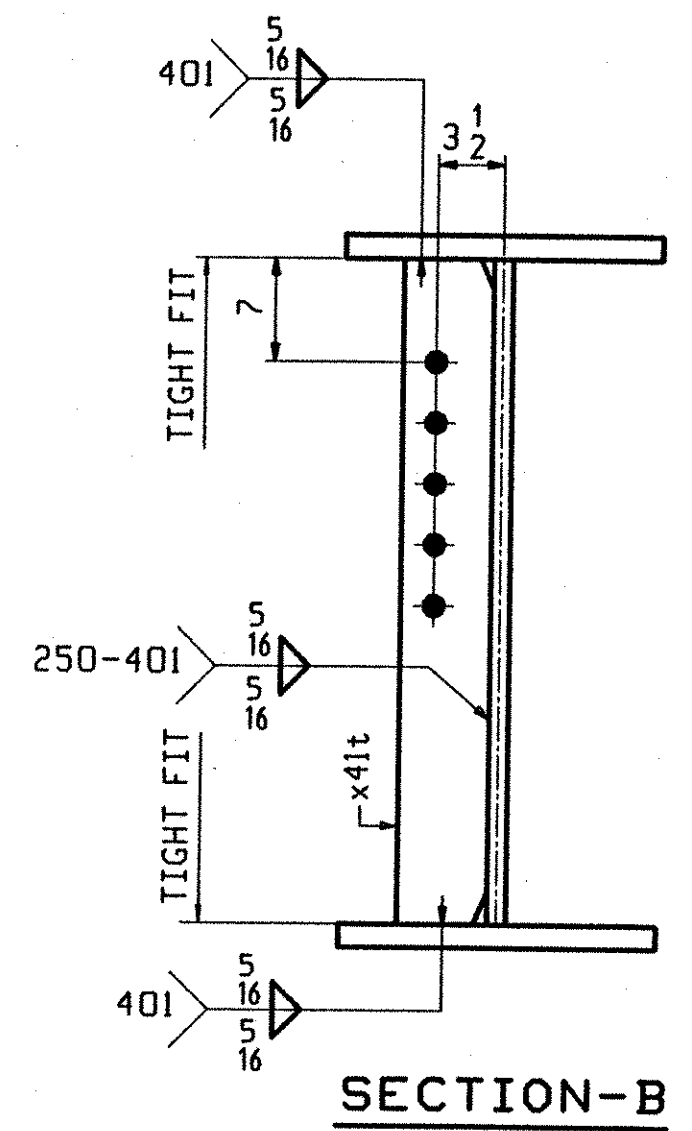
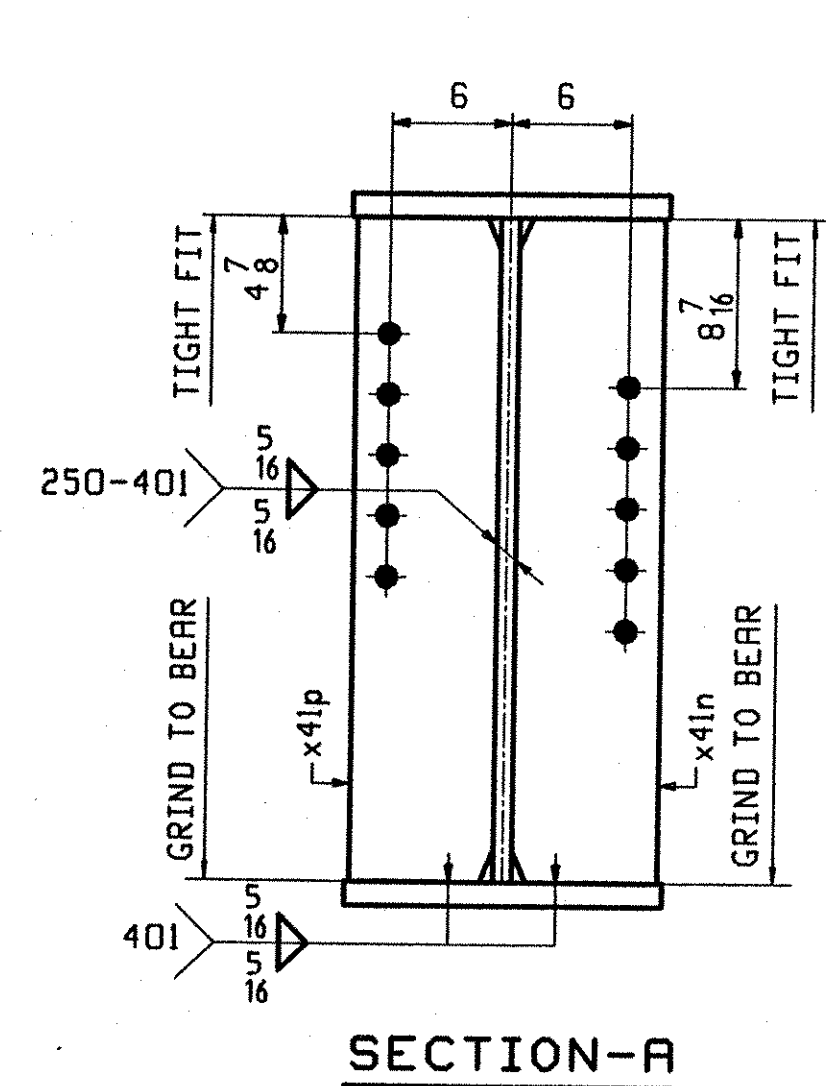
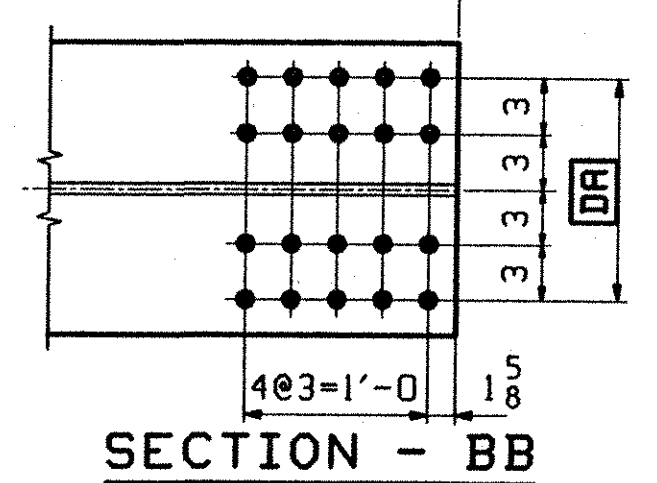
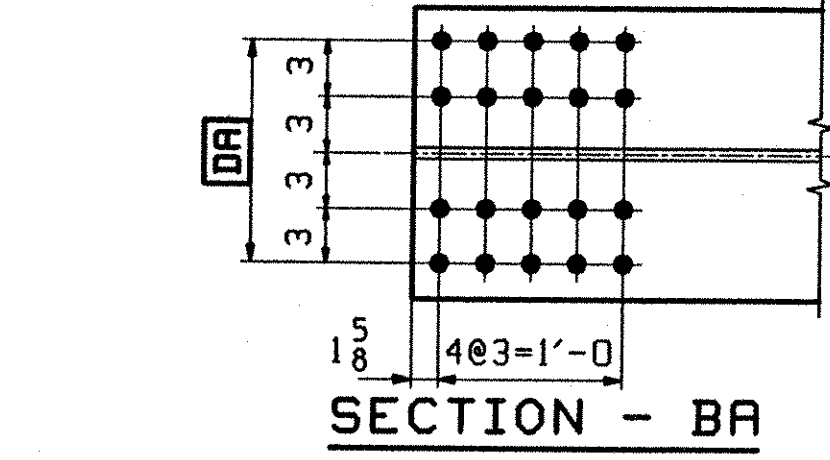


**ONE - GIRDER - G4B**

1. FOR GIRDER STANDARD DETAILS SEE DRAWING X41.
2. FOR CAMBER AND FLANGE DIAGRAMS SEE DRAWING C402.
3. FOR HORIZONTAL CURVING DIAGRAM SEE DRAWING HC401.
4. FOR GENERAL NOTES SEE DRAWING GN301.



ABM INFO		SHIP		BILL OF MATERIAL				JOB NO.		DRAWING NO.		REV.
PAGE	LINE	MARK	QTY	MARK	MATERIAL	LENGTH		REMARKS	WT	PROCUREMENT NOTES		
						FT	INCHES					
					G4B	1		GIRDER		12562		
401	N		1	wa	PL 1/2 x 3/4	52	5/8	(H270-S0MT2) (H2-3)				
401	C		1	ta	PL 1/2 x 16	52	5/8	(H270-S0MT2) (H2-3)				
401	C		1	ba	PL 1/2 x 16	52	5/8	(H270-S0MT2) (H2-3)				
402	M		2	x41t	PL 1/2 x 5	2	0 3/4					
402	M		1	x41w	PL 1/2 x 5	2	0 3/4					
402	K		1	x41p	PL 7/8 x 7 3/4	2	0 3/4					
402	K		1	x41n	PL 7/8 x 7 3/4	2	0 3/4					
402	M		1	x41aa	PL 1/2 x 5	2	0 3/4					

**TVGA**  
Engineering, Surveying, P.C.

NO EXCEPTIONS TAKEN  REJECTED  
 FURNISH AS CORRECTED  
 REVISE AND RESUBMIT

ENGINEER has reviewed Shop Drawings and Samples and other data which Contractor is required to submit, only for conformance with the information given in the Contract Documents and compatibility with the design concept of the completed Project as a functioning whole as indicated in the Contract Documents. Such reviews do not extend to means, methods, techniques, sequences or procedures, or construction or to safety precautions and programs incident thereto. Contractor is responsible for dimensions to be confirmed and completed at the job site for information that pertain solely to the fabrication processes or to techniques of construction, and for coordination of the work of all trades.

BY: AAA  
DATE: 01-17-2002

OUT FOR APPROVAL	10-03-01										
OUT FOR APPROVAL											
ISSUED TO SHOP											
FIELD & OFFICE											

REV.	REMARKS	DATE	DMN	CHK	APP	Q.A.	NO.	DIA.	LGT	TYPE	WASHER
	MATERIAL: M270 GR. 50W (UN)										
	ELECTRODES:										
	HOLES:										
	SHOP BOLTS:										
	15/16 Ø (U.N.)										
	7/8 Ø (U.N.)										
	SURFACE PREP. & PAINT: - STEEL WITHIN 10'-0" OF ABUT. 2 SHALL BE PAINTED (SEE GN301) - ALL OTHER STEEL SHALL BE BLAST CLEANED AND LEFT UNPAINTED.										
	DESCRIPTION: GIRDER - G4B						DRAWN BY		DATE		
	JOB: I-89 NB OVER LITTLE RIVER						BW		08/02		
	I-89 IMPROVEMENTS						CHKD BY				
	BETWEEN TOWNS OF MIDDLESEX & BOLTON						ELC		9/12/01		
	COUNTY OF WASHINGTON VERMONT						APPROV BY				
	PROJ NO. IM-089-2(26)						SUPERVISOR		W. J. GATTI		
	CUSTOMER: VERMONT AGENCY OF TRANSPORTATION						Q.A.				
	<b>CASCO BAY STEEL STRUCTURES, INC.</b>						JOB NO.		DRG. NO.		
	75 SPRING HILL ROAD						SACO, MAINE 04072		119-48N		409
	PHONE (207) 282-7360						FAX (207) 282-1179				REV. <input type="checkbox"/>