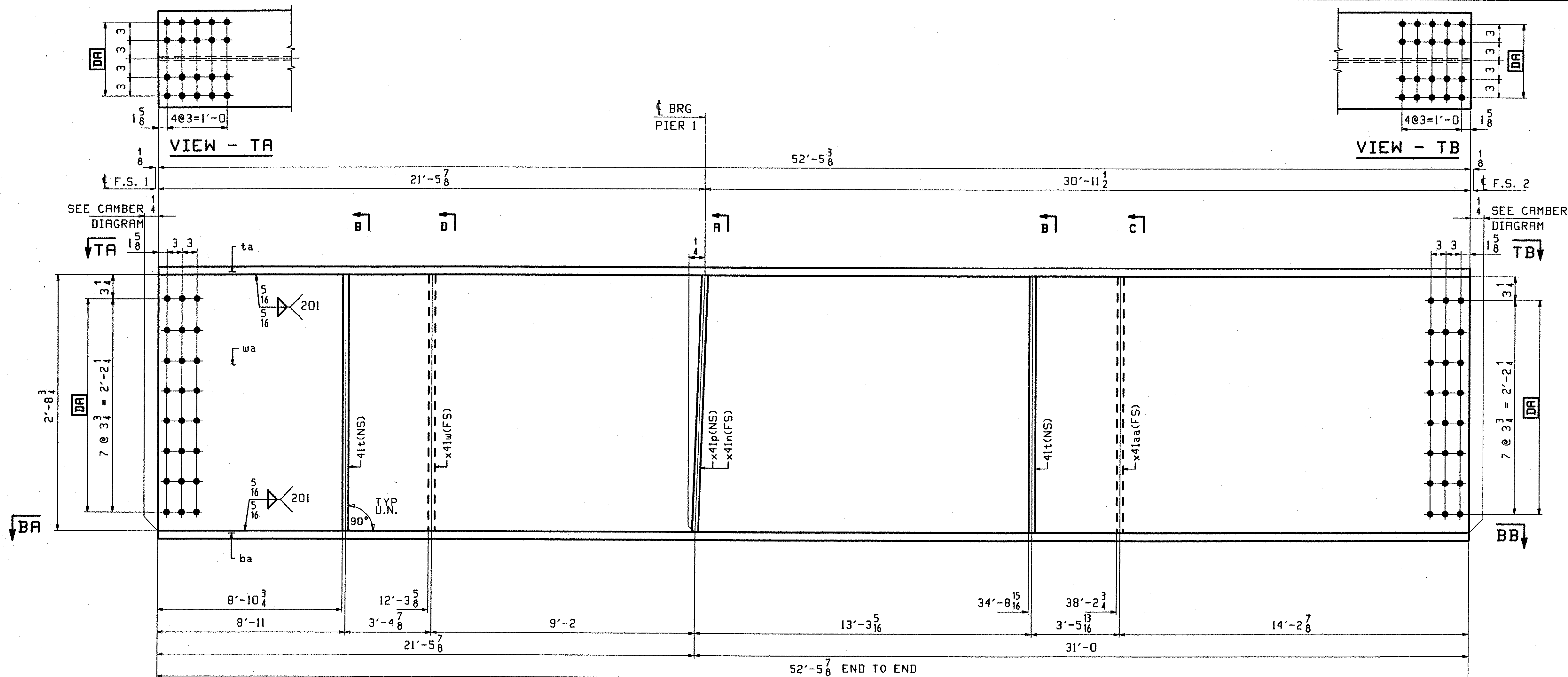


ABM INFO		SHIP	BILL OF MATERIAL			JOB NO.	DRAWING NO.	REV.	
PAGE	LINE	MARK	QTY	MARK	MATERIAL	LENGTH FT INCHES	REMARKS	WT	PROCUREMENT NOTES
		G2B	1		GIRDER			12562	
401	N		1	wa	PL 1/2 x 34 1/4	52 5/8	(M270-50WT2) (H2-3)		
401	C		1	ta	PL 1/8 x 16	52 5/8	(M270-50WT2) (H2-3)		
401	C		1	ba	PL 1/8 x 16	52 5/8	(M270-50WT2) (H2-3)		
402	M		2	x4lt	PL 1/2 x 5	2 8 3/4			
402	M		1	x4lw	PL 1/2 x 5	2 8 3/4			
402	K		1	x4lp	PL 7/8 x 7 1/4	2 8 3/4			
402	K		1	x4ln	PL 7/8 x 7 1/4	2 8 3/4			
402	M		1	x4laa	PL 1/2 x 5	2 8 3/4			



**ONE - GIRDER - G2B**

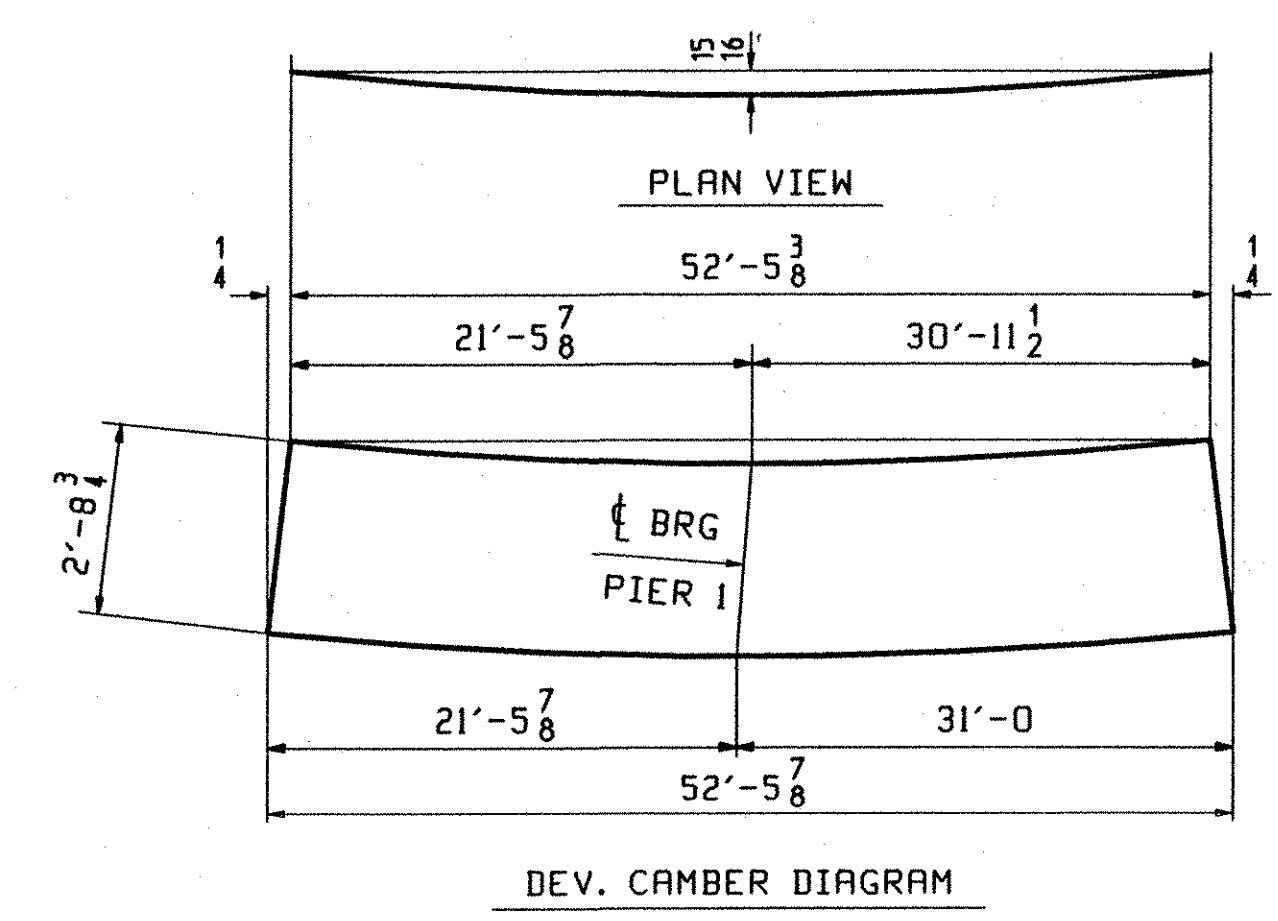
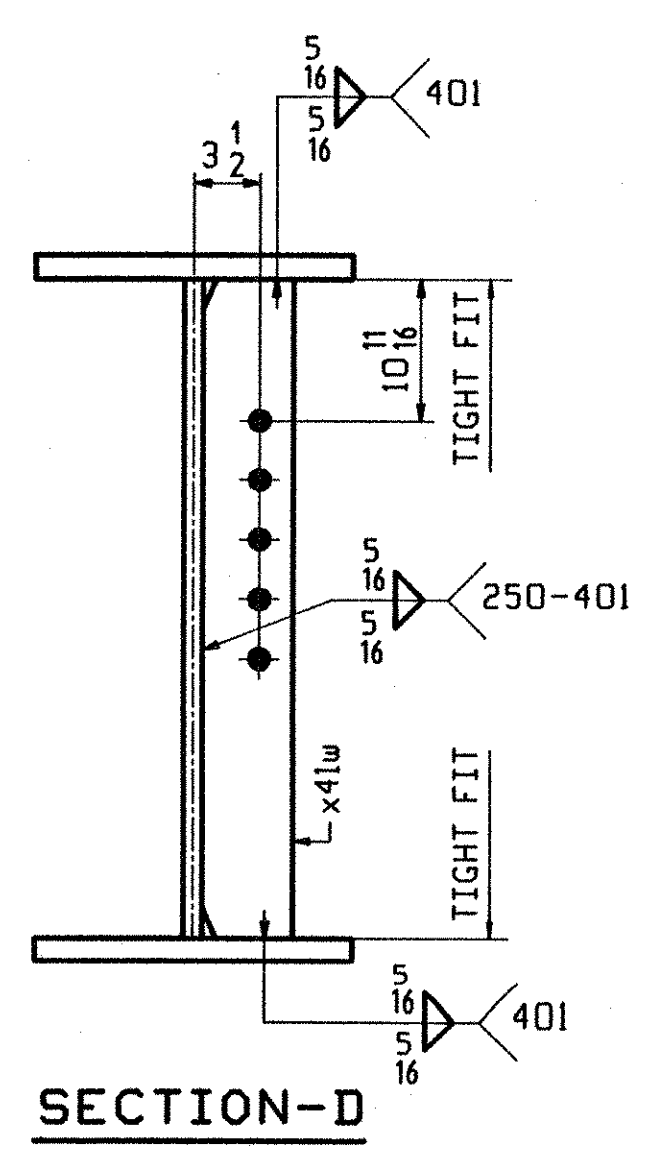
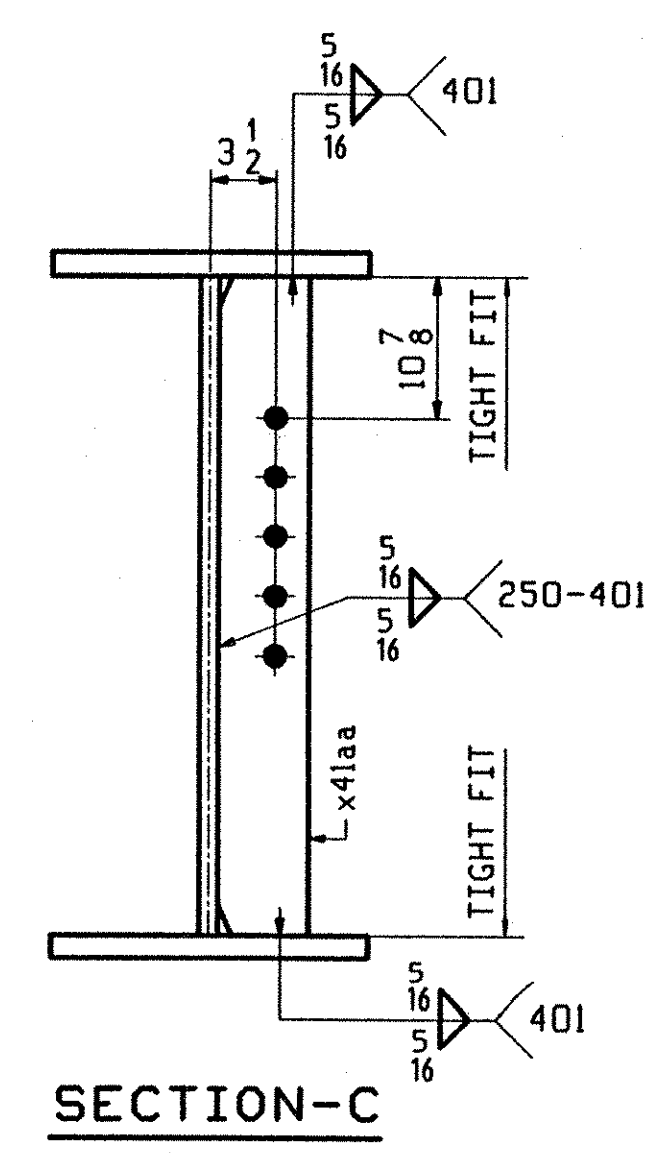
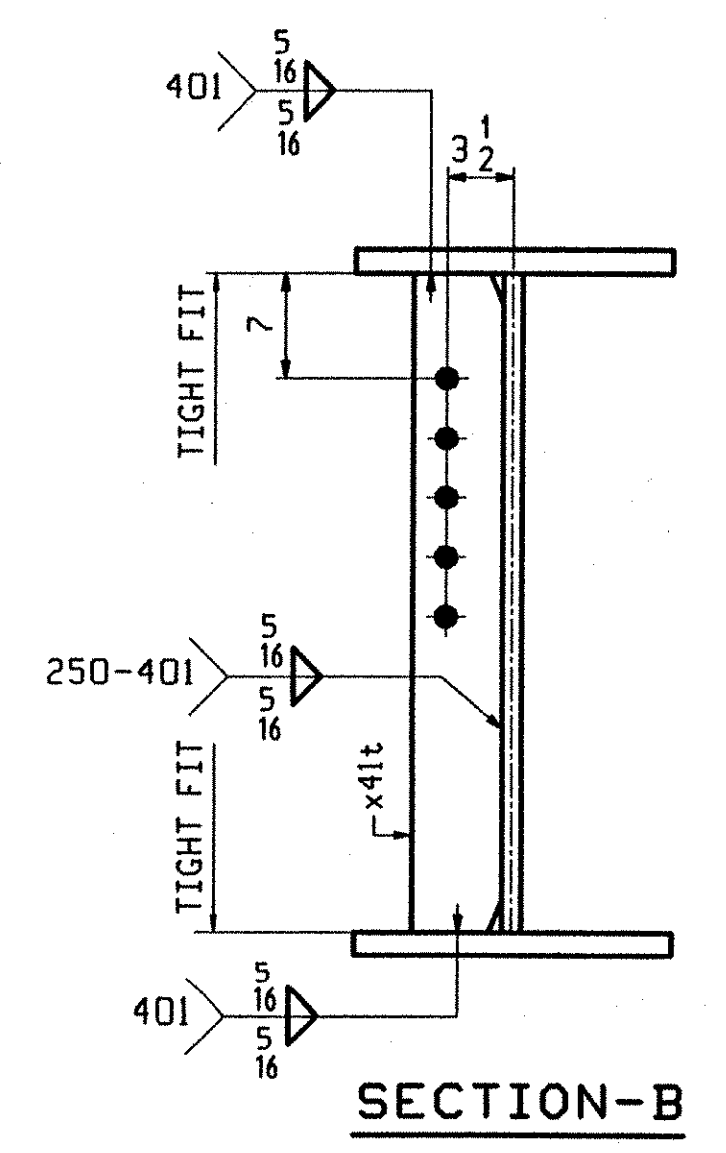
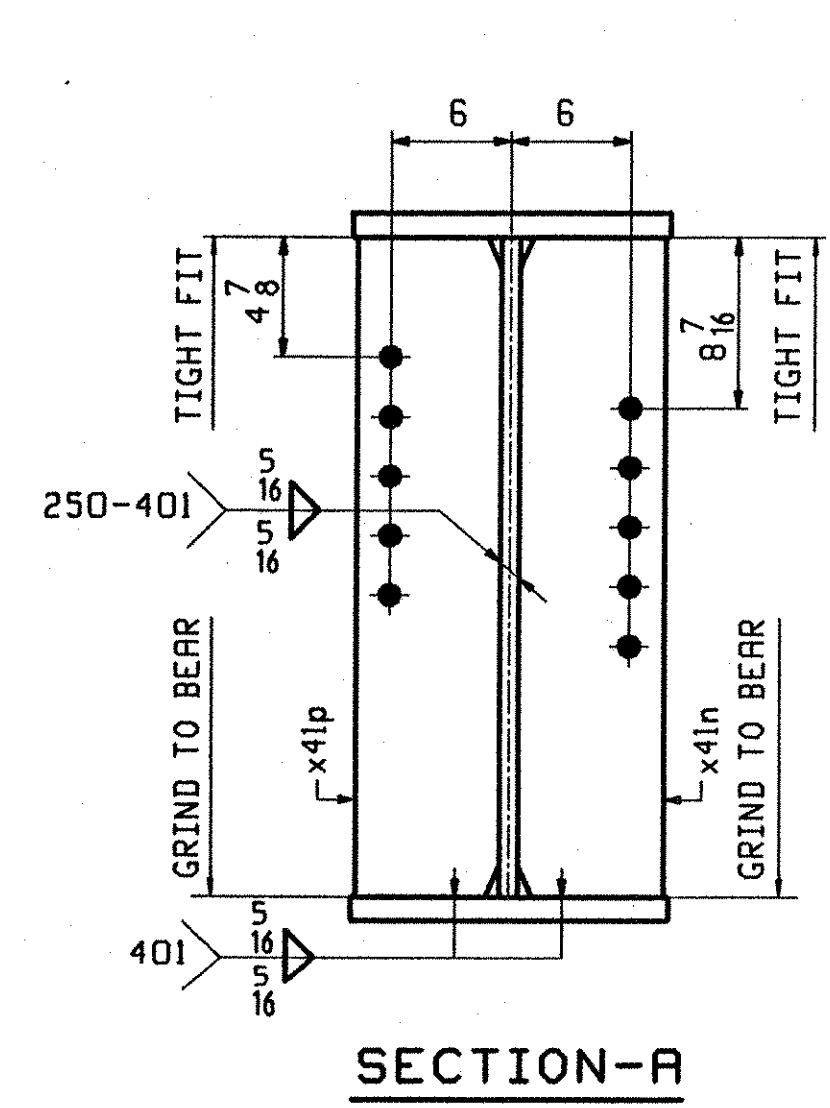
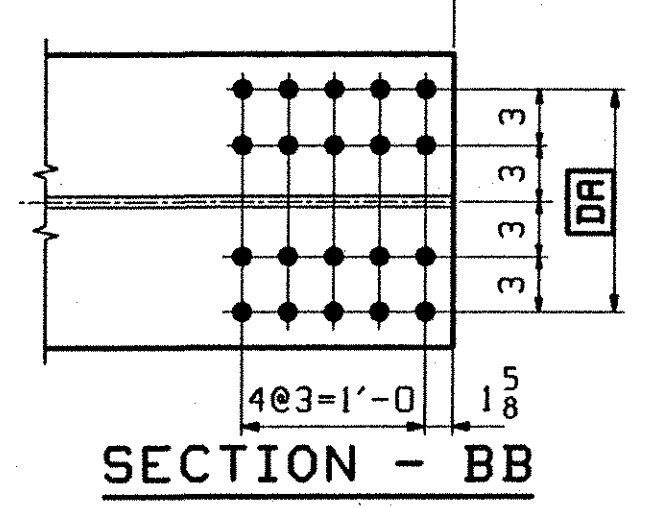
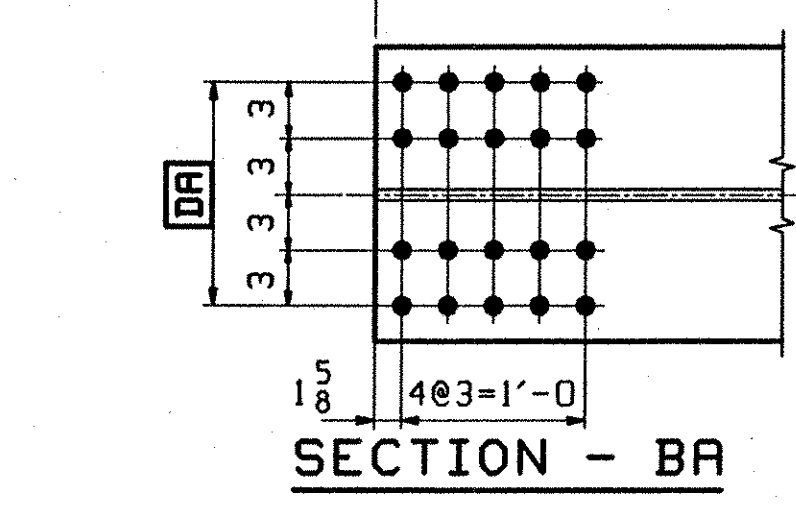
1. FOR GIRDER STANDARD DETAILS SEE DRAWING X41.
2. FOR CAMBER AND FLANGE DIAGRAMS SEE DRAWING X402.
3. FOR HORIZONTAL CURVING DIAGRAM SEE DRAWING HC401.
4. FOR GENERAL NOTES SEE DRAWING GN301.

**TVGA**  
Engineering, Surveying, P.C.

NO EXCEPTIONS TAKEN  REJECTED  
 FURNISH AS CORRECTED  REVISE AND RESUBMIT

ENGINEER has reviewed Shop Drawings and Samples and other data which Contractor is required to submit, only for conformance with the information given in the Contract Documents and consistency with the design concept of the completed Project as a functioning whole as indicated in the Contract Documents. Such reviews do not extend to means, methods, techniques, sequences or procedures of construction or to safety precautions and programs incident thereto. Contractor is responsible for dimensions to be coordinated and controlled at the job site for information that pertains safety to the fabrication processes or to techniques of construction, and for coordination of the work of all trades.

BY: MDA  
DATE: 01-11-2002



OUT FOR APPROVAL	0-03-01										
OUT FOR APPROVAL											
ISSUED TO SHOP											
FIELD & OFFICE											
REV.	REMARKS	DATE	DWN	CHK	APP	Q.A.	NO.	DIA.	LGT	TYPE	WASHER
MATERIAL:	M270 GR. 50W (UN)	ELECTRODES:		HOLES:	15/16 Ø (U.N.)	SHOP BOLTS:	7/8 Ø (U.N.)				
SURFACE PREP. & PAINT: - STEEL WITHIN 10'-0" OF ABUT. 2 SHALL BE PAINTED (SEE GN301) - ALL OTHER STEEL SHALL BE BLAST CLEANED AND LEFT UNPAINTED.											
DESCRIPTION: GIRDER - G2B							DRAWN BY	DATE			
JOB: I-89 NB OVER LITTLE RIVER							BW	08/02			
I-89 IMPROVEMENTS							CHKD BY				
BETWEEN TOWNS OF MIDDLESEX & BOLTON							ELC	9/12/01			
COUNTY OF WASHINGTON VERMONT							APPROV BY				
PROJ NO. IM-089-2(26)							SUPERVISOR	H. J. GATTI			
CUSTOMER: VERMONT AGENCY OF TRANSPORTATION							Q.A.				
<b>CASCO BAY STEEL STRUCTURES, INC.</b>							JOB NO.	DRG. NO.			
75 SPRING HILL ROAD SACO, MAINE 04072							119-48N	407			
PHONE (207) 282-7360 FAX. (207) 282-1179							REV.	△			