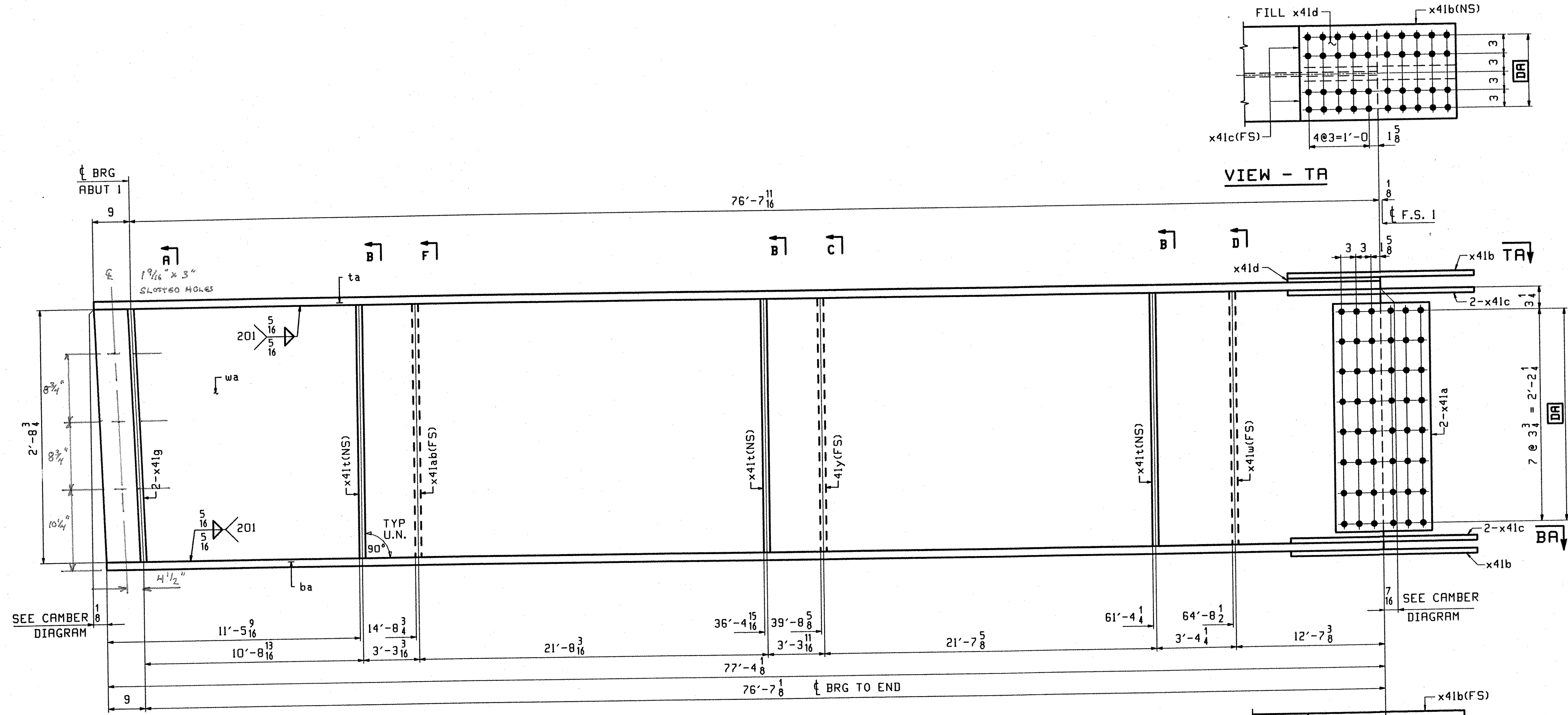
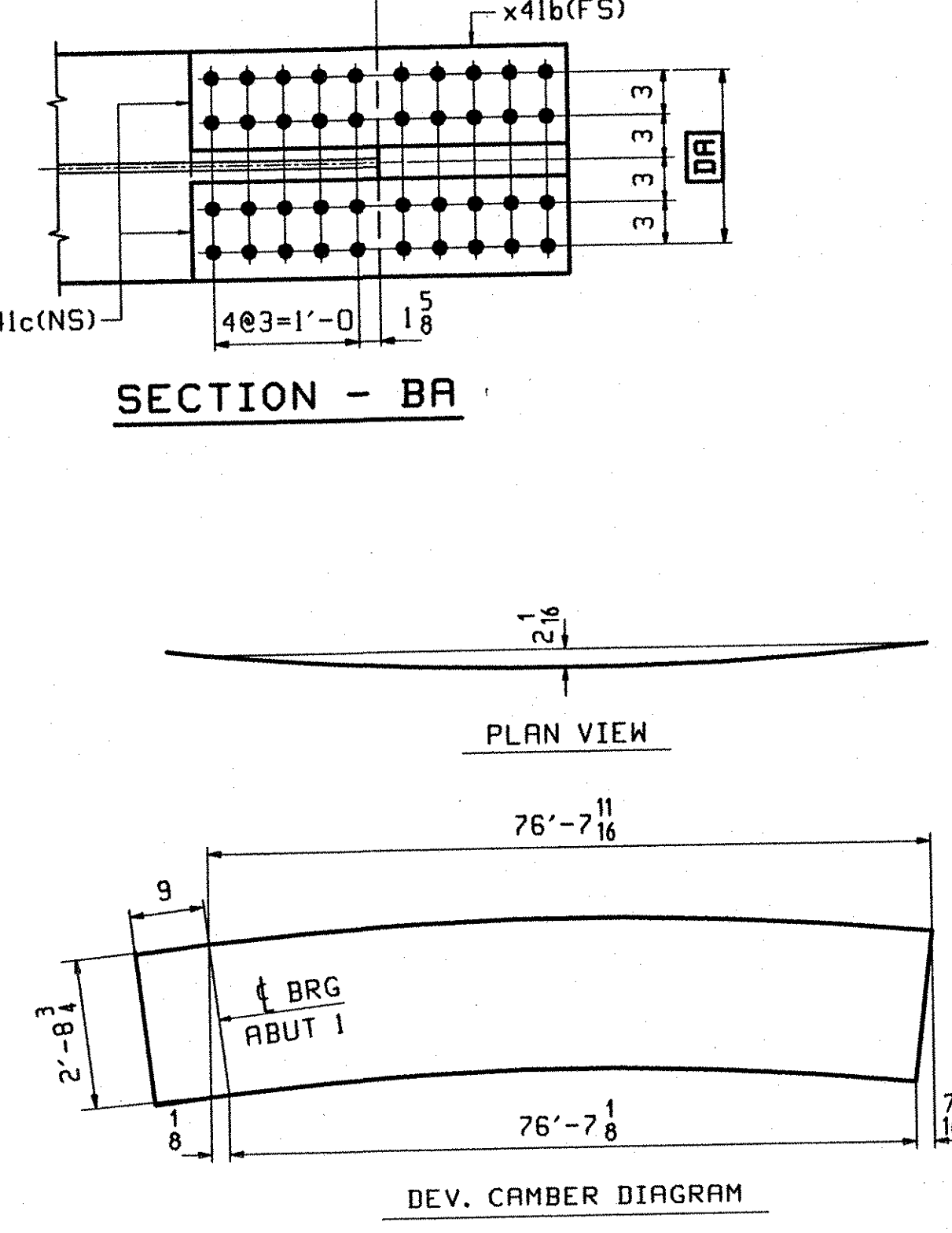
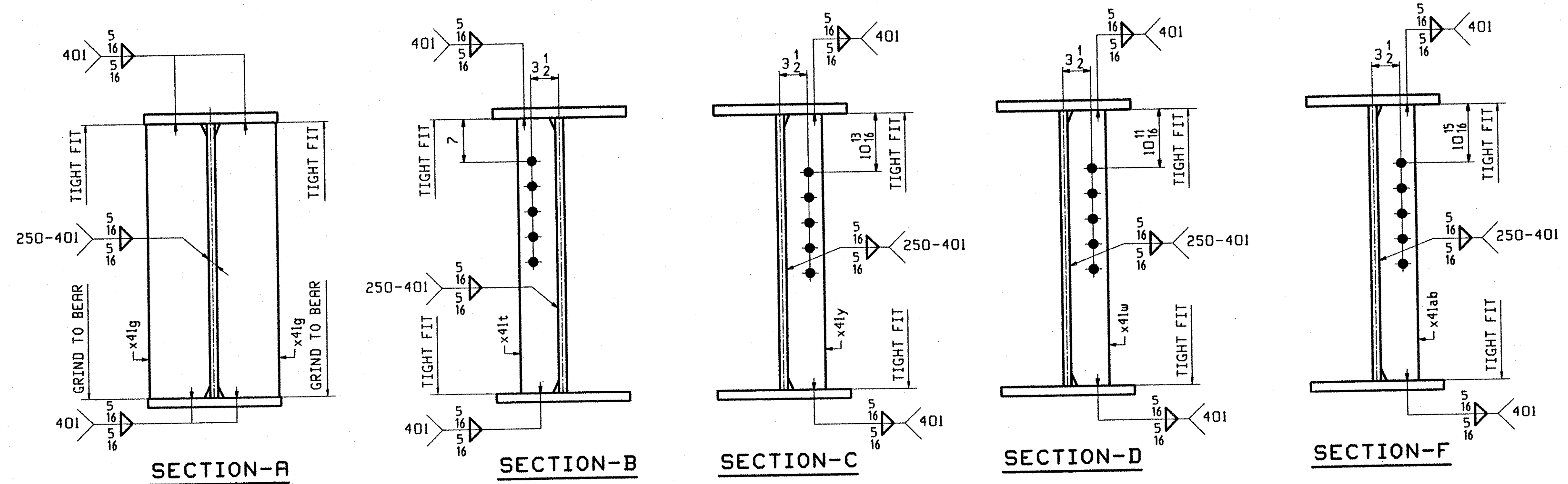


ABM INFO		BILL OF MATERIAL				JOB NO.	DRAWING NO.	REV.	
PAGE	LINE	MARK	QTY	MARK	MATERIAL	LENGTH FT INCHES	REMARKS	WT	PROCUREMENT NOTES
		G3A	1		GIRDER			16143	
401	L		1	wa	PL $\frac{1}{2}$ x 36	77' 4 1/8"	(H270-S0M2) (H2-3)		
401	G		1	ta	PL $\frac{1}{2}$ x 16	77' 4 1/8"	(H270-S0M2) (H2-3)		
401	A		1	ba	PL $\frac{1}{2}$ x 16	77' 4 1/8"	(H270-S0M2) (H2-3)		
402	B		2	x41a	PL $\frac{1}{2}$ x 29	1' 7"	(H270-S0M2) (H2-3)		
402	C		2	x41b	PL $\frac{1}{2}$ x 16	2' 7"	(H270-S0M2) (H2-3)		
402	D		4	x41c	PL $\frac{1}{2}$ x 7	2' 7"	(H270-S0M2) (H2-3)		
402	F		1	x41d	PL $\frac{1}{2}$ x 16	1' 3 3/8"	FILL		
402	K		2	x41g	PL $\frac{1}{2}$ x 7	2' 8 1/4"			
402	M		1	x41ab	PL 2 x 5	2' 8 1/4"			
402	M		3	x41t	PL 2 x 5	2' 8 1/4"			
402	M		1	x41y	PL 2 x 5	2' 8 1/4"			
402	M		1	x41w	PL 2 x 5	2' 8 1/4"			



ONE - GIRDER - G3A

1. FOR GIRDER STANDARD DETAILS SEE DRAWING X41.
2. FOR CAMBER AND FLANGE DIAGRAMS SEE DRAWING C401.
3. FOR HORIZONTAL CURVING DIAGRAM SEE DRAWING HC401.
4. FOR GENERAL NOTES SEE DRAWING GN301.



TVGA
Engineering, Surveying, P.C.

NO EXCEPTIONS TAKEN REJECTED
 FURNISH AS CORRECTED
 REVISE AND RESUBMIT

ENGINEER has reviewed Shop Drawings and Samples and other data which Contractor is required to submit, fully for conformance with the information given in the Contract Documents and compatibility with the design concept of the completed Project as a functioning whole as indicated in the Contract Documents. Such reviews do not extend to means, methods, techniques, sequences or procedures of construction or to safety precautions and programs incident thereto. Contractor is responsible for dimensions to be confirmed and corrected at the job site, for information that pertains solely to the fabrication processes or to techniques of construction; and for coordination of the work of all trades.

BY: ADD
DATE: 01-11-2002

OUT FOR APPROVAL	<u>02/20/01</u>								
OUT FOR APPROVAL									
ISSUED TO SHOP									
FIELD & OFFICE									

REV.	REMARKS	DATE	DWN	CHK	APP	Q.A.	NO.	DIA.	LGT	TYPE	WASHER
	MATERIAL: M270 GR. 50W (UN)										
	ELECTRODES:										
	HOLES: 15/16 φ (U.N.)										
	SHOP BOLTS: 7/8 φ (U.N.)										
SURFACE PREP. & PAINT: - STEEL WITHIN 10'-0" OF ABUT. 2 SHALL BE PAINTED (SEE GN301) - ALL OTHER STEEL SHALL BE BLAST CLEANED AND LEFT UNPAINTED.											
DESCRIPTION: GIRDER - G3A		DRAWN BY		DATE							
JOB: I-89 NB OVER LITTLE RIVER		BN		08/01							
I-89 IMPROVEMENTS		CHKD BY		9/10/01							
BETWEEN TOWNS OF MIDDLESEX & BOLTON		ELC									
COUNTY OF WASHINGTON VERMONT		APPROV BY									
PROJ NO. IM-089-2(26)		SUPERVISOR		W. J. GATTI							
CUSTOMER: VERMONT AGENCY OF TRANSPORTATION		Q.A.									
CASCO BAY STEEL STRUCTURES, INC.		JOB NO.		DRG. NO.							
75 SPRING HILL ROAD		119-48N		403							
PHONE (207) 282-7360		SACO, MAINE 04072		REV.		△					
FAX. (207) 282-1179											