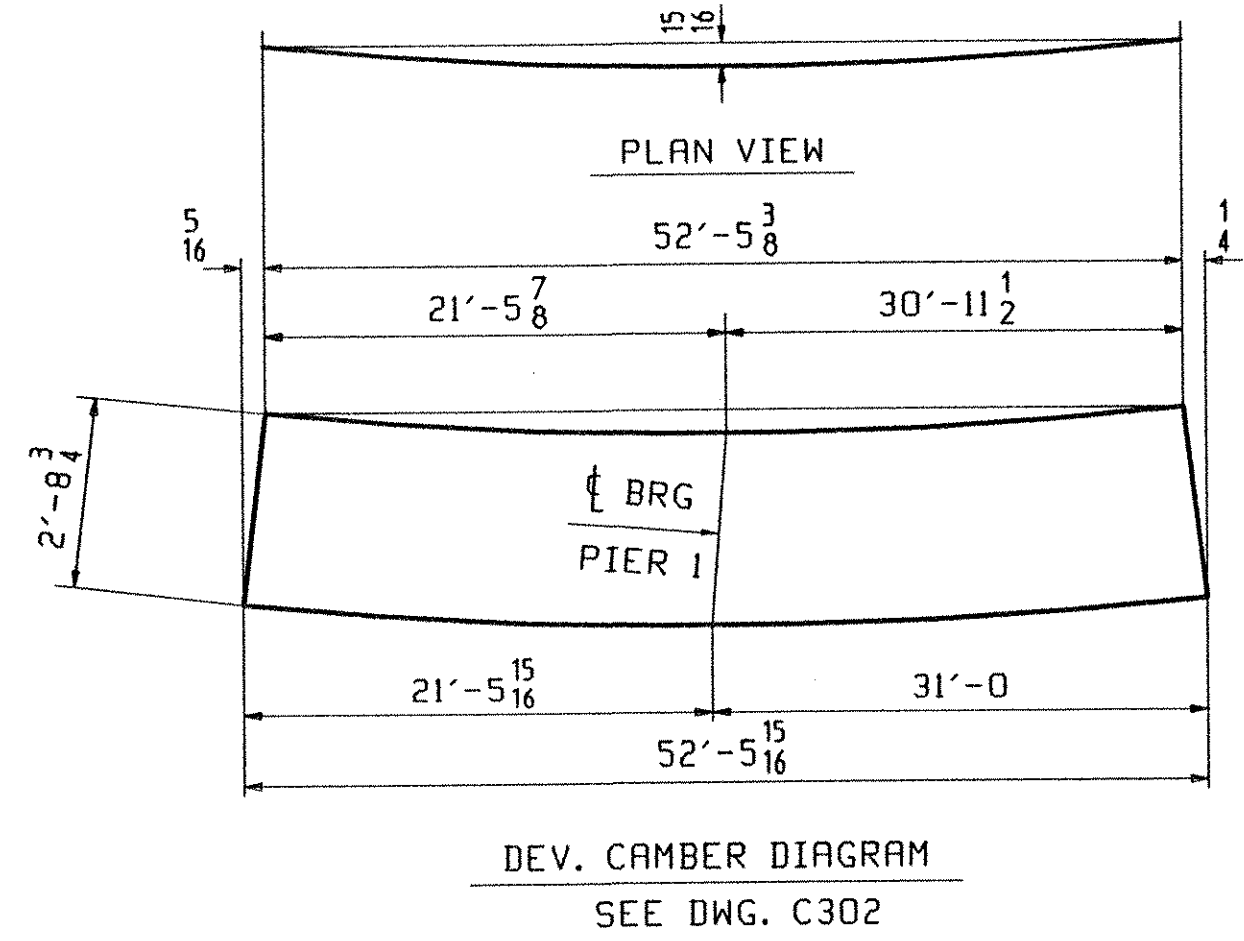
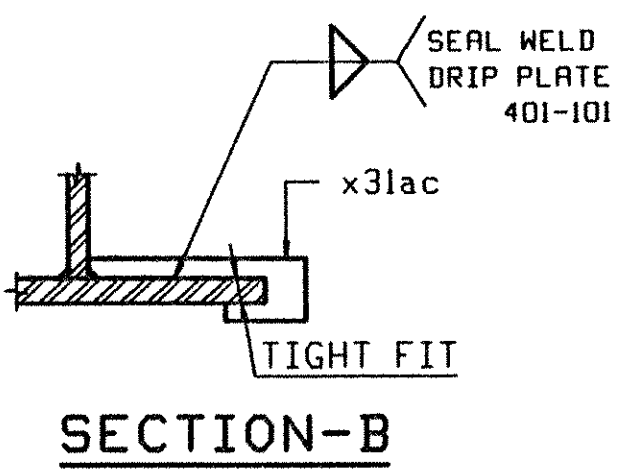
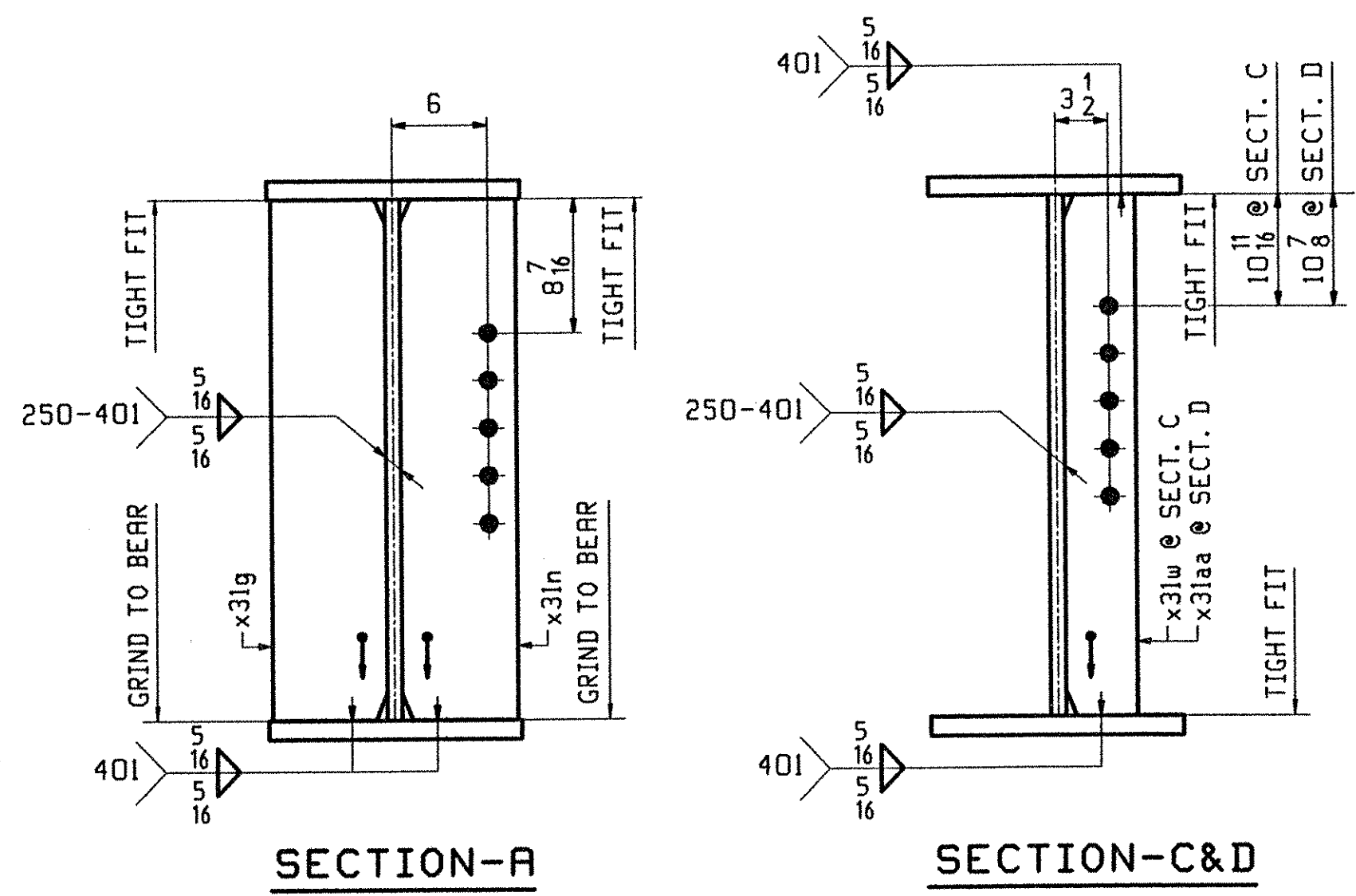


- ONE - GIRDER - G5B**
1. FOR GIRDER STANDARD DETAILS SEE DRAWING X31.
 2. FOR CAMBER AND FLANGE DIAGRAMS SEE DRAWING C302.
 3. FOR HORIZONTAL CURVING DIAGRAM SEE DRAWING HC301.
 4. FOR GENERAL NOTES SEE DRAWING GN301.



ABM INFO		BILL OF MATERIAL				JOB NO.	DRAWING NO.	REV.	
PAGE	LINE	MARK	QTY	MARK	MATERIAL	LENGTH FT INCHES	REMARKS	WT	PROCUREMENT NOTES
		G5B	1		GIRDER			12519	
301	S		1	wa	PL 1/2 x 3/4	52 5/16	(M270-50WT2) (H2-3)		
301	C		1	ta	PL 1 1/8 x 1/16	52 5/8	(M270-50WT2) (H2-3)		
301	C		1	ba	PL 1 1/8 x 1/16	52 5/8	(M270-50WT2) (H2-3)		
302	M		1	x31w	PL 1/2 x 5	2 8 3/4			
302	K		1	x31g	PL 7/8 x 7 1/4	2 8 3/4			
302	K		1	x31n	PL 3/4 x 7 1/4	2 8 3/4			
302	M		1	x31aa	PL 1/2 x 5	2 8 3/4			
302	P		1	x31ac	PL 1/4 x 3 3/8	0 10 5/16			

TVGA
Engineering, Surveying, P.C.

NO EXCEPTIONS TAKEN REJECTED
 FURNISH AS CORRECTED REVISE AND RESUBMIT

ENGINEER has reviewed Shop Drawings and Samples and other data which Contractor is required to submit, only for performance with the information given in the Contract Documents and compatibility with the design concept of the completed Project as a functioning unit, as indicated in the Contract Documents. Such review shall extend to means, methods, techniques, equipment or procedures of construction or to safety precautions and programs incident thereto. Contractor is responsible for dimensions to be conform and correlated at the job site, for information that pertains solely to the fabrication processes or to techniques of construction, and for coordination of the work of all trades.

DATE: 4/9/01

OUT FOR APPROVAL	5/13/01										
OUT FOR APPROVAL											
ISSUED TO SHOP											
FIELD & OFFICE											
REV.	REMARKS	DATE	DWN	CHK	APP	O.A.	NO.	DIA.	LGT	TYPE	WASHER
MATERIAL:	M270 GR 50W	ELECTRODES:		HOLES:	15/16 Ø (UN)	SHOP BOLTS:	7/8 Ø (UN)				
SURFACE PREP. & PAINT: -STEEL WITHIN 10'-0" OF ABUT I SHALL BE PRINTED (SEE GN301) -ALL OTHER STEEL SHALL BE BLAST CLEANED AND LEFT UNPAINTED.											
DESCRIPTION:	GIRDER - G5B					DRAWN BY	PHG	DATE	02/24/01		
JOB:	BRIDGE NO. 48S I-89 SB OVER LITTLE RIVER I-89 IMPROVEMENTS TOWN OF MIDDLESEX-BOLTON, VERMONT					CHKD BY	ELC	DATE	03/6/01		
PROJ NO.	IM-089-2(26)					APPROV BY	W. J. GATTI				
CUSTOMER:	VERMONT AGENCY OF TRANSPORTATION					Q.A.					
CASCO BAY STEEL STRUCTURES, INC.							JOB NO.	118-48S	DRG. NO.	310	
75 SPRING HILL ROAD PHONE (207) 282-7360							SARCO, MAINE 04072 FAX. (207) 282-1179		REV.	△	