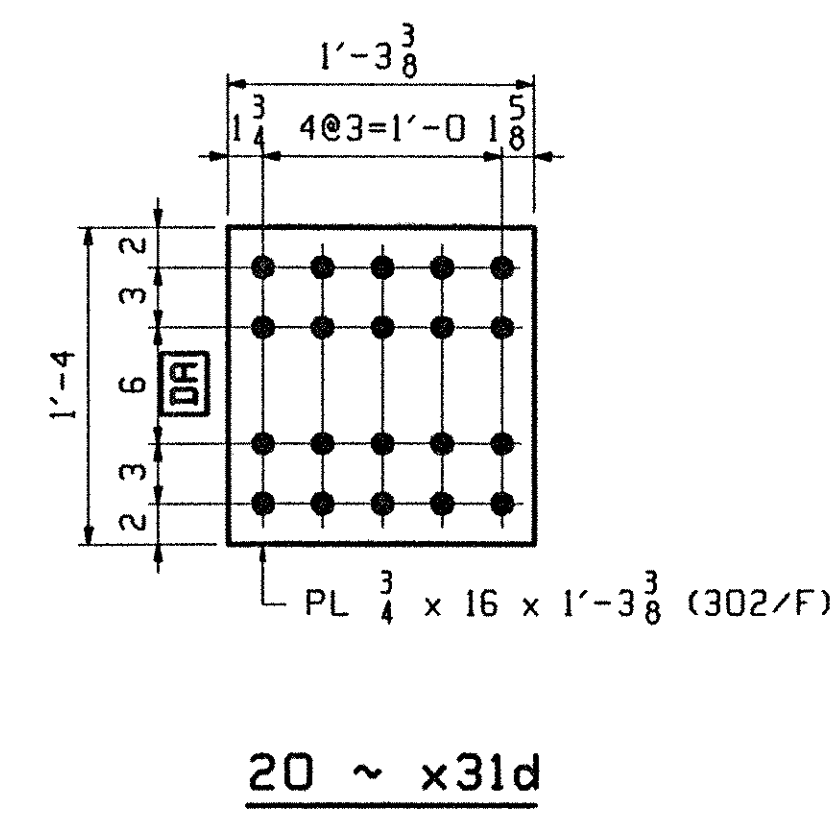
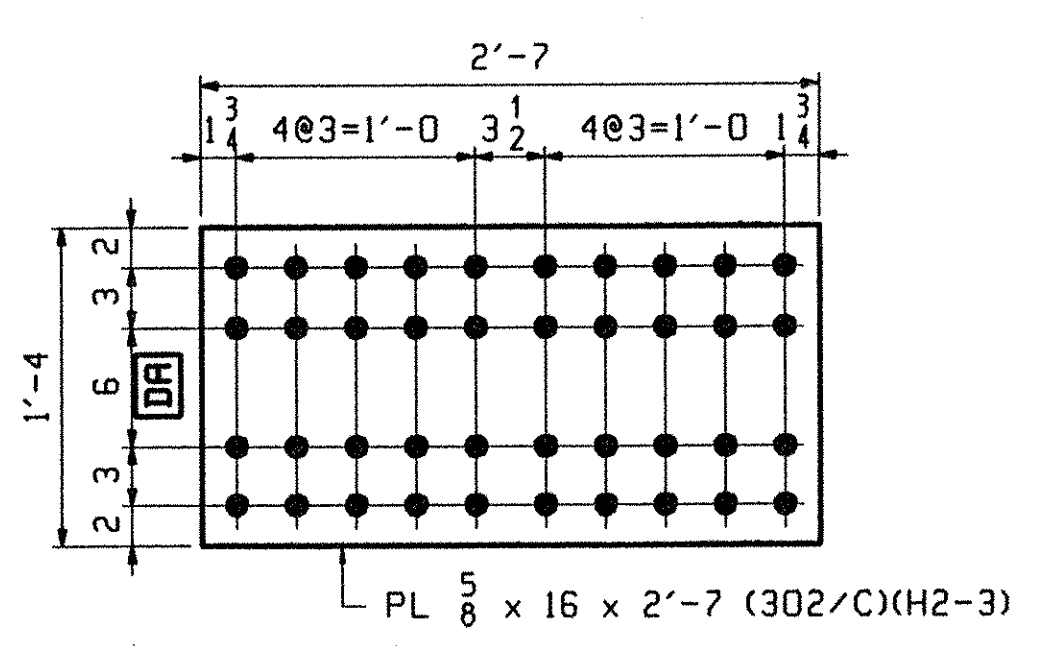


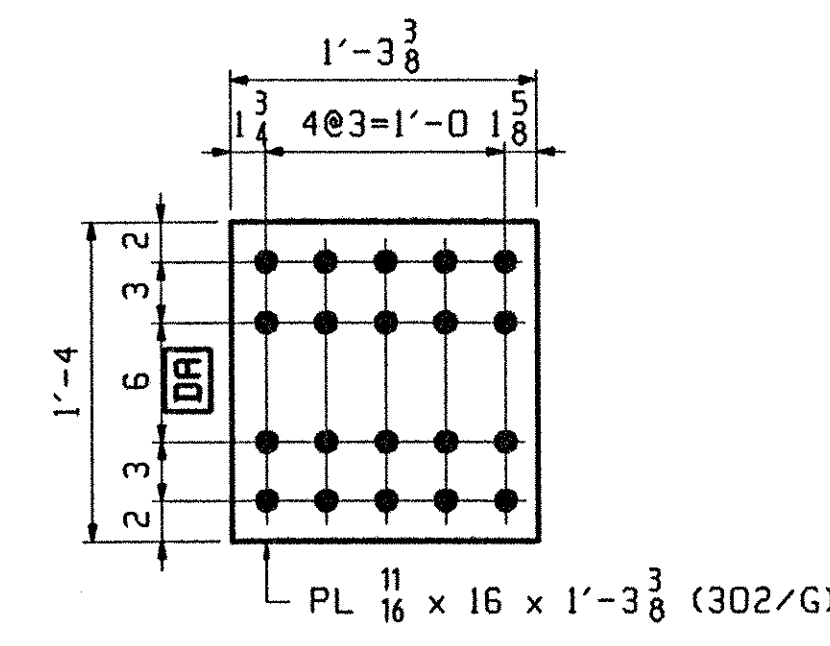
**D.O.R.**  
**40 ~ x31a**



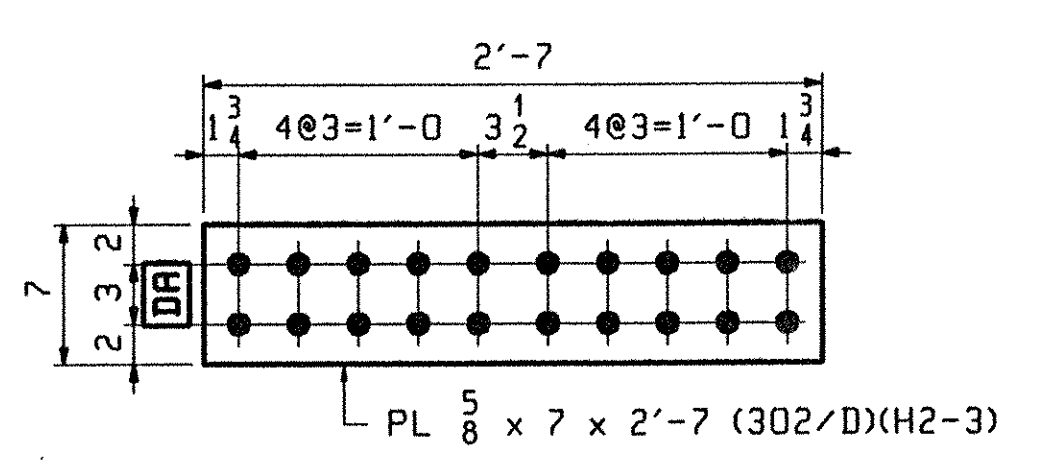
**20 ~ x31d**



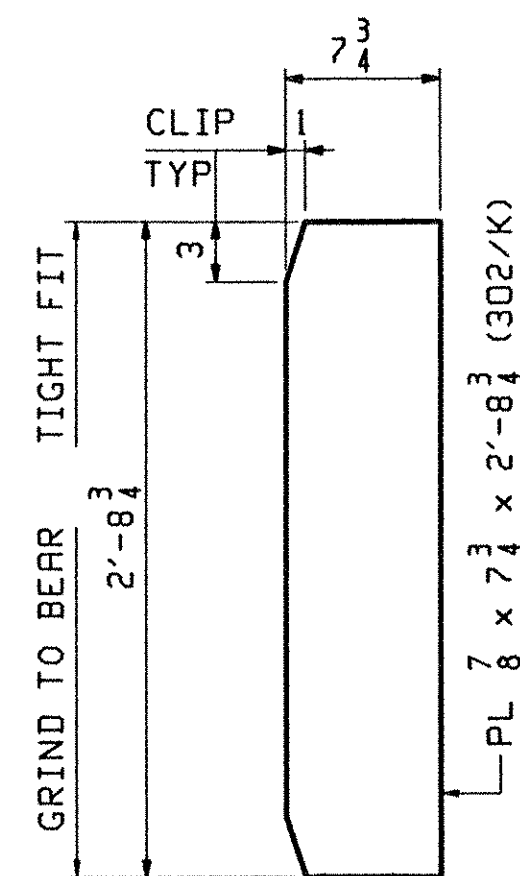
**D.O.R.**  
**40 ~ x31b**



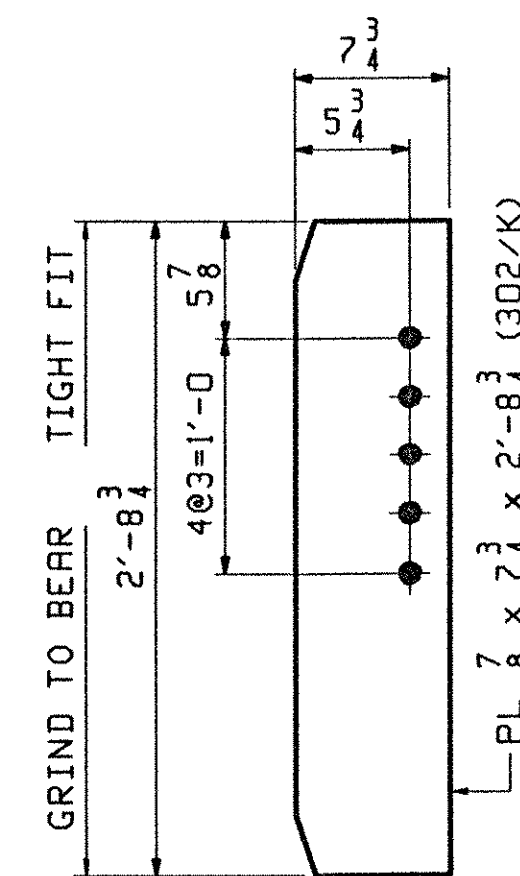
**10 ~ x31f**



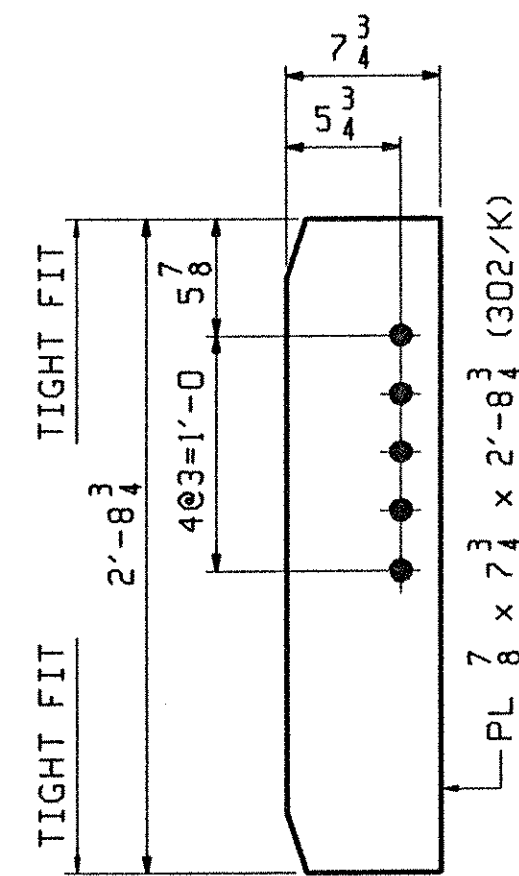
**D.O.R.**  
**80 ~ x31c**



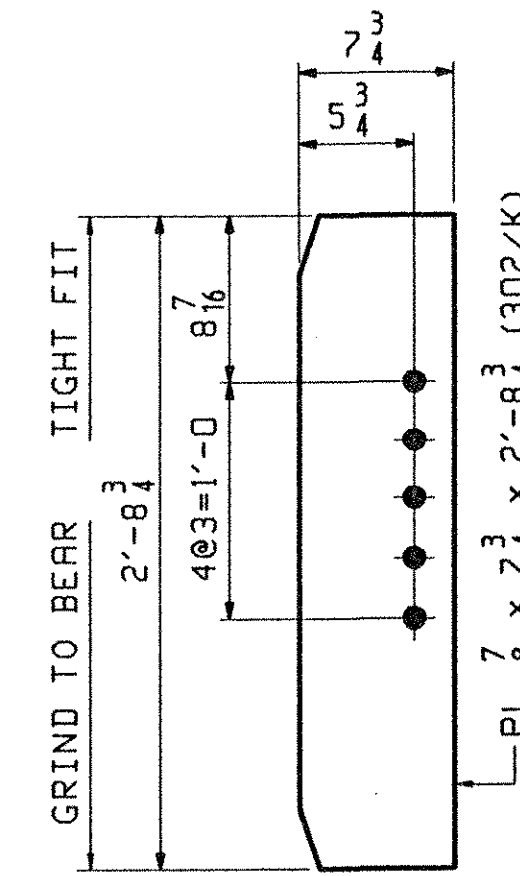
**20 ~ x31g**  
BRG STIFF @ ABUT & PIERS



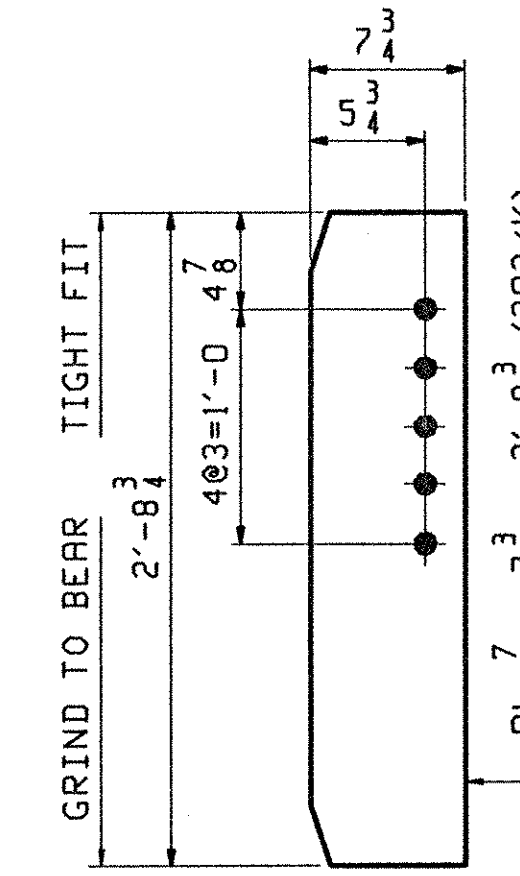
**4 ~ x31k**  
BRG STIFF @ ABUT



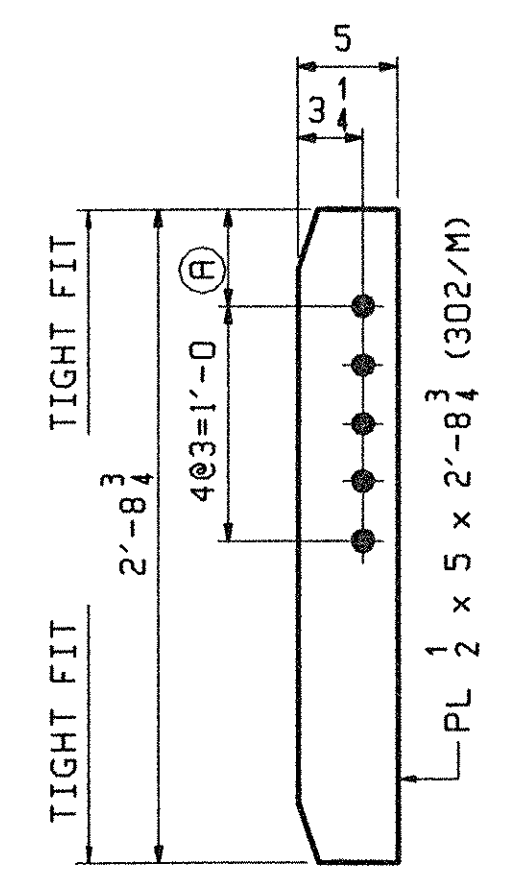
**4 ~ x31m**  
CONN STIFF @ ABUT



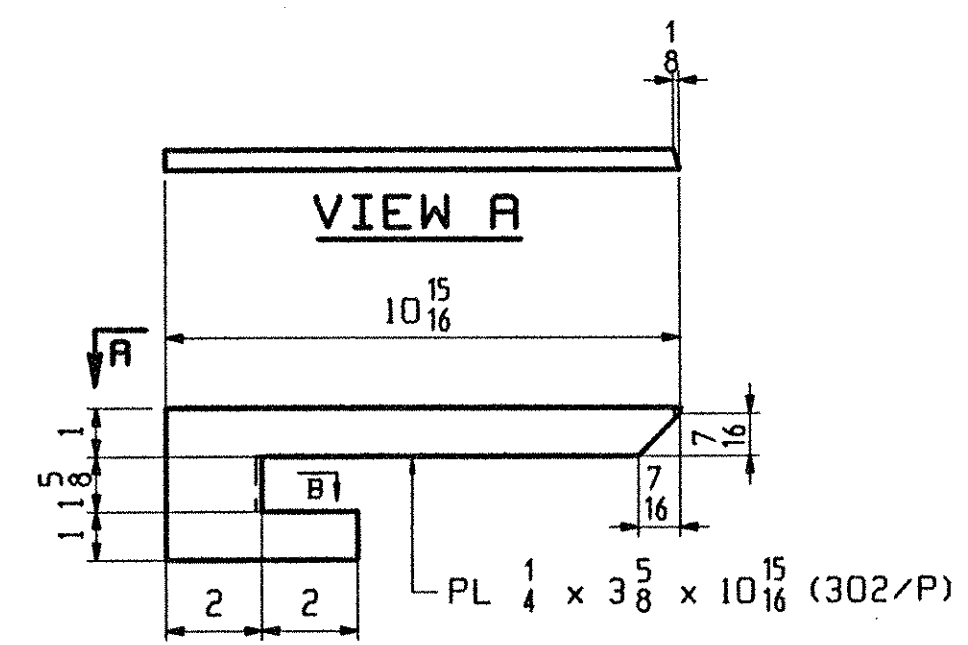
**8 ~ x31n**  
BRG STIFF @ PIERS



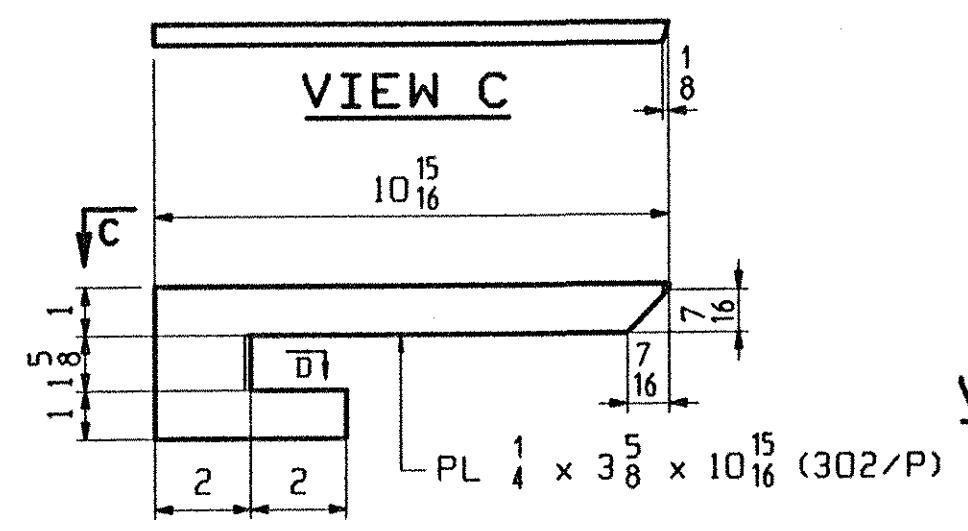
**8 ~ x31p**  
BRG STIFF @ PIERS



**INT. CONN STIFF**



**3 ~ x31ac**  
DRIP PL



**3 ~ x31ad**  
DRIP PL

MARK	REQ'D	(A)
x31t	48	7
x31v	8	10 5/8
x31w	12	10 11/16
x31y	8	10 3/4
x31aa	16	10 7/8
x31ab	4	10 15/16

**NOTES:**  
FOR GENERAL NOTES SEE GN301  
H2-3 DENOTES MATERIAL SUBJECT TO CHARPY V-NOTCH TESTING.  
**D.O.R.** DENOTES DIRECTION OF MILL ROLLING

OUT FOR APPROVAL	5/3/01								
OUT FOR APPROVAL									
ISSUED TO SHOP									
FIELD & OFFICE									

REV.	REMARKS	DATE	DWN	CHK	APP	O.A.	NO.	DIA.	LGT	TYPE	WASHER

**SURFACE PREP. & PAINT:**  
-STEEL WITHIN 10'-0 OF ABUT I SHALL BE PAINTED (SEE GN301)  
-ALL OTHER STEEL SHALL BE BLAST CLEANED AND LEFT UNPAINTED.

DESCRIPTION:	GIRDER STANDARDS	DRAWN BY	DATE
<b>JOB:</b>	BRIDGE NO. 485 I-89 SB OVER LITTLE RIVER I-89 IMPROVEMENTS TOWN OF MIDDLESEX-BOLTON, VERMONT	PHG	02/23
		CHKD BY	
		ELC	03/5/01
		APPROV BY	
		SUPERVISOR	M. J. GATTI
<b>PROJ NO.</b>	IM-089-2(26)	<b>O.A.</b>	
<b>CUSTOMER:</b>	VERMONT AGENCY OF TRANSPORTATION		
<b>CASCO BAY STEEL STRUCTURES, INC.</b>	75 SPRING HILL ROAD PHONE (207) 282-7360	SACO, MAINE 04072 FAX. (207) 282-1179	<b>JOB NO.</b> 118-485
			<b>DRG. NO.</b> X31
			<b>REV.</b> $\Delta$

**TVGA**  
Engineering, Surveying, P.C.  
 NO EXCEPTIONS TAKEN  REJECTED  
 FURNISH AS CORRECTED  
 REVISE AND RESUBMIT  
ENGINEER has reviewed Shop Drawings and Samples and other data which Contractor is required to submit, for compliance with the provisions of the Contract Documents and compatibility with the design concept of the completed Project as a condition of work, as indicated in the Contract Documents. Such review is not intended to constitute, in whole or in part, a warranty, express or implied, for materials, methods, techniques, equipment or procedures of construction or for safety, performance, and program. Resident thereof. Contractor is responsible for dimensions to be confirmed and completed at the job site for information that pertains solely to the subcontractor's work or to techniques of construction and for coordination of the work of all trades.  
BY: *Pete W. S.T.*  
DATE: 4/19/01