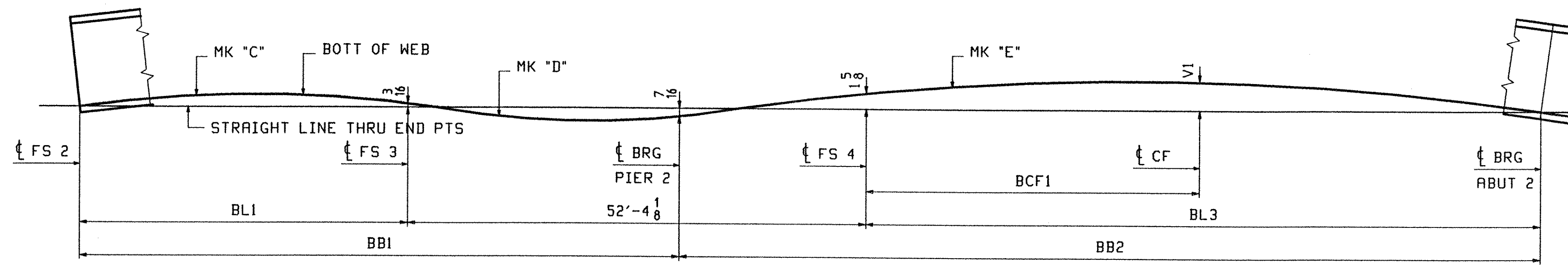


PLAN VIEW GIRDER @ BOTT OF WEB



DEVELOPED SECTION A-A
DIMENSIONS GIVEN ALONG \bar{C} WEB

LINE	WL1	WL2	WL3	H1	H2	H3	H4	WBI	WB2	WCF1	BL1	BL3	V1	BBI	BB2	BCF1
1	37'-5 ¹⁵ / ₁₆	52'-4 ¹ / ₈	77'-1 ¹ / ₁₆	6 ⁷ / ₈	9 ¹ / ₂	9 ¹³ / ₁₆	7 ¹ / ₁₆	68'-6	98'-5 ¹ / ₈	38'-1 ¹ / ₄	37'-6	77'-1 ¹ / ₈	4 ¹ / ₂	68'-6 ¹ / ₁₆	98'-5 ³ / ₁₆	38'-1 ¹ / ₄
2	37'-5 ⁷ / ₁₆	52'-4 ¹ / ₈	77'-0 ¹ / ₂	6 ¹³ / ₁₆	9 ¹ / ₂	9 ³ / ₄	6 ¹ / ₂	68'-5 ¹ / ₂	98'-4 ⁹ / ₁₆	41'-11 ¹ / ₄	37'-5 ¹ / ₂	77'-0 ⁹ / ₁₆	4 ³ / ₈	68'-5 ⁹ / ₁₆	98'-4 ⁵ / ₈	41'-11 ¹ / ₄
3	37'-4 ¹⁵ / ₁₆	52'-4 ¹ / ₈	76'-11 ¹⁵ / ₁₆	6 ¹³ / ₁₆	9 ¹ / ₂	9 ³ / ₄	6 ¹ / ₂	68'-5	98'-4	41'-10 ⁹ / ₁₆	37'-5	77'-0 ¹ / ₁₆	4 ³ / ₈	68'-5 ¹ / ₁₆	98'-4 ¹ / ₈	41'-10 ⁹ / ₁₆
4	37'-4 ⁷ / ₁₆	52'-4 ³ / ₁₆	76'-11 ⁷ / ₁₆	6 ¹³ / ₁₆	9 ⁷ / ₁₆	9 ¹¹ / ₁₆	6 ¹ / ₂	68'-4 ⁹ / ₁₆	98'-3 ¹ / ₂	41'-9 ¹⁵ / ₁₆	37'-4 ¹ / ₂	76'-11 ⁹ / ₁₆	4 ³ / ₈	68'-4 ⁹ / ₁₆	98'-3 ⁵ / ₈	41'-9 ¹⁵ / ₁₆
5	37'-4	52'-4 ¹ / ₈	76'-10 ⁷ / ₈	6 ³ / ₄	9 ⁷ / ₁₆	9 ¹¹ / ₁₆	6 ¹ / ₂	68'-4 ¹ / ₁₆	98'-2 ¹⁵ / ₁₆	41'-9 ⁵ / ₁₆	37'-4 ¹ / ₁₆	76'-10 ¹⁵ / ₁₆	4 ³ / ₈	68'-4 ¹ / ₈	98'-3	41'-9 ⁵ / ₁₆

LINE	"C"	"D"	"E"
1	G1C	G1D	G1E
2	G2C	G2D	G2E
3	G3C	G3D	G3E
4	G4C	G4D	G4E
5	G5C	G5D	G5E

NOTES
FOR GENERAL NOTES SEE DWG GN301
ALL DIMENSIONS GIVEN AT BOTT OF WEB (UN)

OUT FOR APPROVAL	3-13-01																
OUT FOR APPROVAL																	
ISSUED TO SHOP																	
FIELD & OFFICE																	

REV.	REMARKS	DATE	DWN	CHK	APP	Q.A.	NO.	DIA.	LGIT	TYPE	WASHER

MATERIAL: M270 GR 50W
ELECTRODES:
HOLES: 15/16 ϕ (UN)
SHOP BOLTS: 7/8 ϕ (UN)

SURFACE PREP. & PAINT:
-STEEL WITHIN 10'-0 OF ABUT 1 SHALL BE PAINTED (SEE GN301)
-ALL OTHER STEEL SHALL BE BLAST CLEANED AND LEFT UNPAINTED.

DESCRIPTION:	SHOP ASSEMBLY	DRAWN BY	DATE
JOB:	BRIDGE NO. 485 1-89 SB OVER LITTLE RIVER 1-89 IMPROVEMENTS TOWN OF MIDDLESEX-BOLTON, VERMONT	PHG	02/27/01
		CHKD BY	
		ELC	03/8/01
		APPROV BY	
		SUPERVISOR	M. J. GATTI
PROJ NO.	IM-089-2(26)	Q.A.	

CUSTOMER:	VERMONT AGENCY OF TRANSPORTATION	JOB NO.	DRG. NO.
		118-485	SA302
			REV. Δ

TVGA
Engineering, Surveying, P.C.
 NO EXCEPTIONS TAKEN REJECTED
 FURNISH AS CORRECTED
 REVISE AND RESUBMIT
ESTIMATOR has examined these Drawings and Specifications and other data upon which they are based and hereby certifies that they are correct and complete as shown on the Contract Documents and Specifications, including the "General Conditions" and "Particular Conditions" and that he is not aware of any errors or omissions in the drawings or specifications. He certifies that he is not aware of any errors or omissions in the drawings or specifications which would affect the construction of the work or the safety of the work.

BY: *Pete W. S. J.*
DATE: 4/9/01