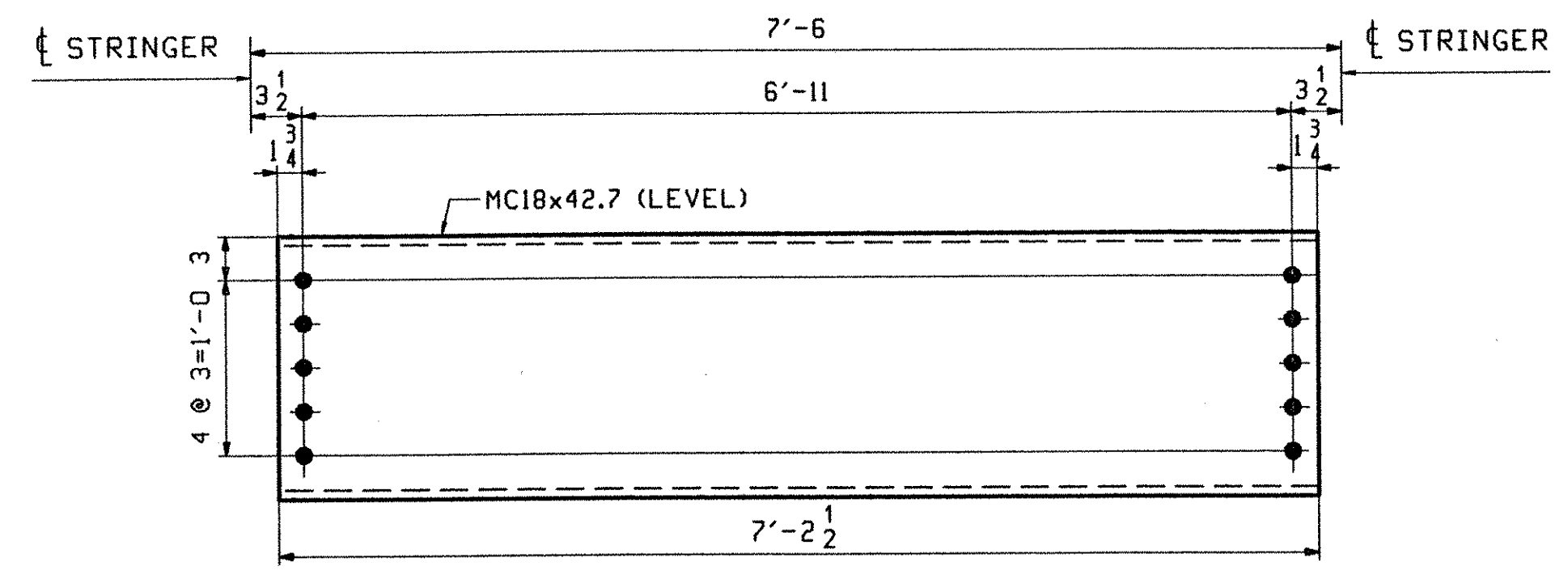
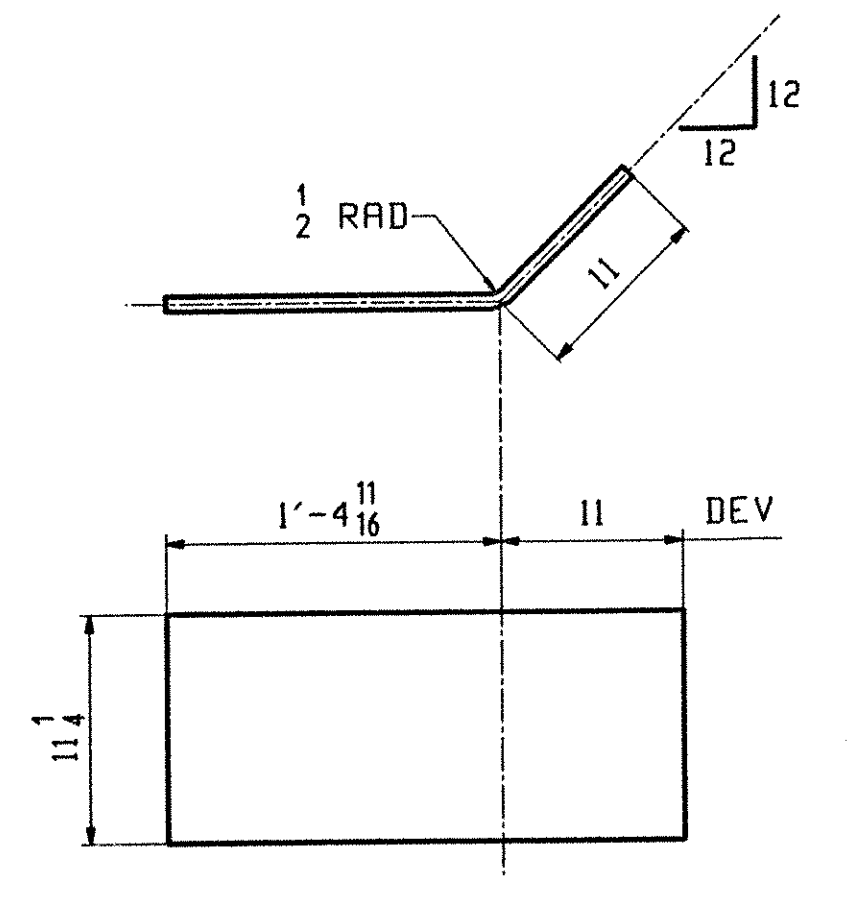


BRG DIAPHRAGMS - ABUT 2 (PAINTED)

MARK	REQ'D	DROP	(A)	(B)	(C)	(D)	(E)	(F)	(G)	(H)	(I)
212D1	2	4	8'-9 5/16	8'-5 13/16	1 7/8	1 5/8	1 11/16	3 1/8	2 7/8	7 1/16	b212
212D2	2	3 1/16	8'-9 1/4	8'-5 3/4	1 3/4	1 3/4	1 1/16	3	3	0	c212



32 ~ INT. DIAPHRAGMS ~ 212D3



5 ~ END PLATES ~ 212M1

ABM INFO		SHIP	BILL OF MATERIAL				JOB NO.	DRAWING NO.		REV.
PAGE	LINE	MARK	QTY	MARK	MATERIAL	LENGTH FT INCHES	REMARKS	WT	PROCUREMENT NOTES	
		212D1	2		BRG DIAPHRAGMS			419		
203	C		2	b212	MC 18x42.7	8 10				
203	E		4	a212	PL 1/2x15	0 9 1/2	BENT			
		212D2	2		BRG DIAPHRAGMS			416		
203	C		2	c212	MC 18x42.7	8 9 5/16				
203	E		4	a212	PL 1/2x15	0 9 1/2	BENT			
203	B	212D3	32		MC 18x42.7	7 2 1/2		308		
					END PLATES					
203	G	212M1	5		PL 1/4x11 1/4	2 3 11/16	BENT	22		
					FIELD BOLTS					377
										2% ADDED +3 FOR TEST
205	C		370		7/8 HSB	0 2 1/4	(A325-3)			
205	D		125		7/8 HSB	0 2 1/2	(A325-3)			
205	F		247		7/8 HSB	0 3	(A325-3)			
205	H		207		7/8 HSB	0 4	(A325-3)			
205	L		949		7/8 HSW		(F436W)			

NOTE:
BEND LINES & WP'S ARE @ 1/2 OF BENT R'S.

OUT FOR APPROVAL	3-5-01									
OUT FOR APPROVAL										
ISSUED TO SHOP										
FIELD & OFFICE										

REV.	REMARKS	DATE	DWN	CHK	APP	O.A.	NO.	DIA.	LGT	TYPE	WASHER
MATERIAL:	ELECTRODES:	HOLE:	SHOP BOLTS:								
M270 GR 50W		15/16 Ø (UN)	7/8 Ø (UN)								

SURFACE PREP. & PAINT:
-STEEL WITHIN 10'-0 OF ABUT 2 SHALL BE PAINTED (SEE GND)
-ALL OTHER STEEL SHALL BE BLAST CLEANED AND LEFT UNPAINTED.

DESCRIPTION:	DIAPHRAGMS	DRAWN BY	DATE
JOB:	BRIDGE NO. 43N 1-89 SB OVER U.S. ROUTE 2 1-89 IMPROVEMENTS TOWN OF MIDDLESEX-BOLTON, VERMONT	PHG	02/16
		CHKD BY	
		TRM	02/21
		APPROV BY	
		SUPERVISOR	H. J. GATTI
PROJ NO.	1M-089-2(26)	O.A.	

CUSTOMER: VERMONT AGENCY OF TRANSPORTATION		JOB NO.	DRG. NO.
CASCO BAY STEEL STRUCTURES, INC.		117-43N	212
75 SPRING HILL ROAD SACO, MAINE 04072			
PHONE (207) 282-7360 FAX. (207) 282-1179			REV. ▲

TVGA
Engineering, Surveying, P.C.

NO EXCEPTIONS TAKEN REJECTED
 FURNISH AS CORRECTED
 REVISE AND RESUBMIT

ENGINEER has reviewed Shop Drawings and Samples and other data which Contractor is required to submit, and for conformance with the information given in the Contract Documents and compliance with the design concept of the completed Project as a functioning whole as indicated in the Contract Documents. Such reviews (a) do not extend to means, methods, techniques, safety devices or procedures of construction or to safety precautions and programs incident thereto. Contractor is responsible for dimensions to be confirmed and controlled at the job site, for information that pertains solely to the fabrication processes or to techniques of construction; and for coordination of the work of all trades.

BY: J.J.G.
DATE: 11-06-2001