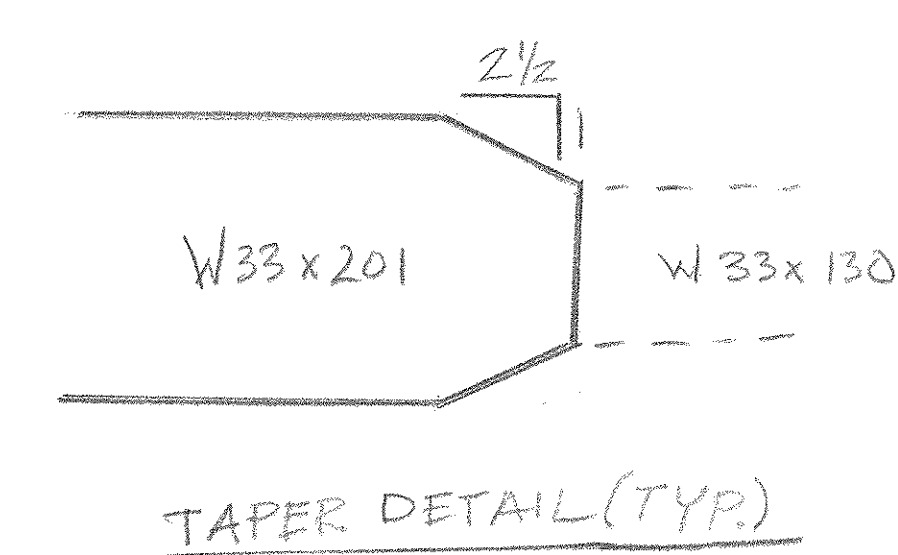
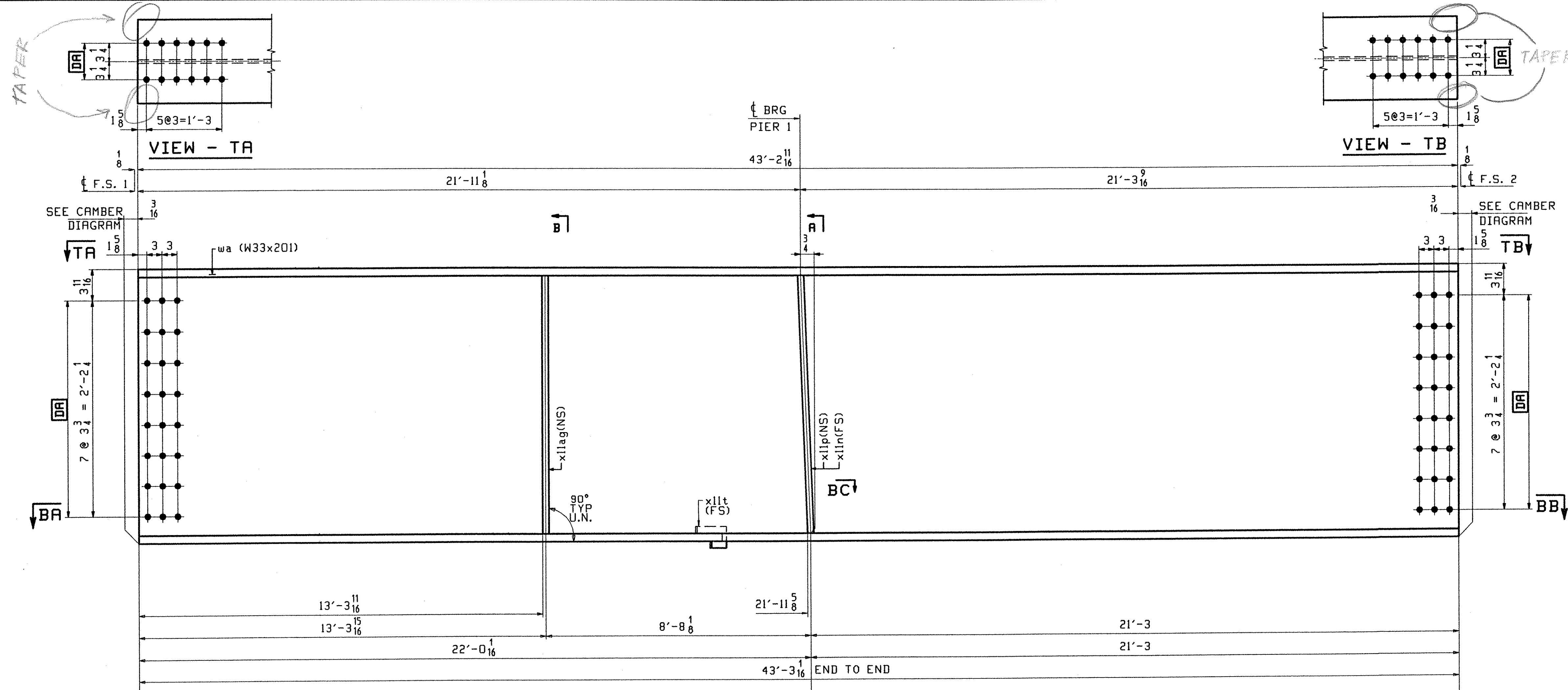
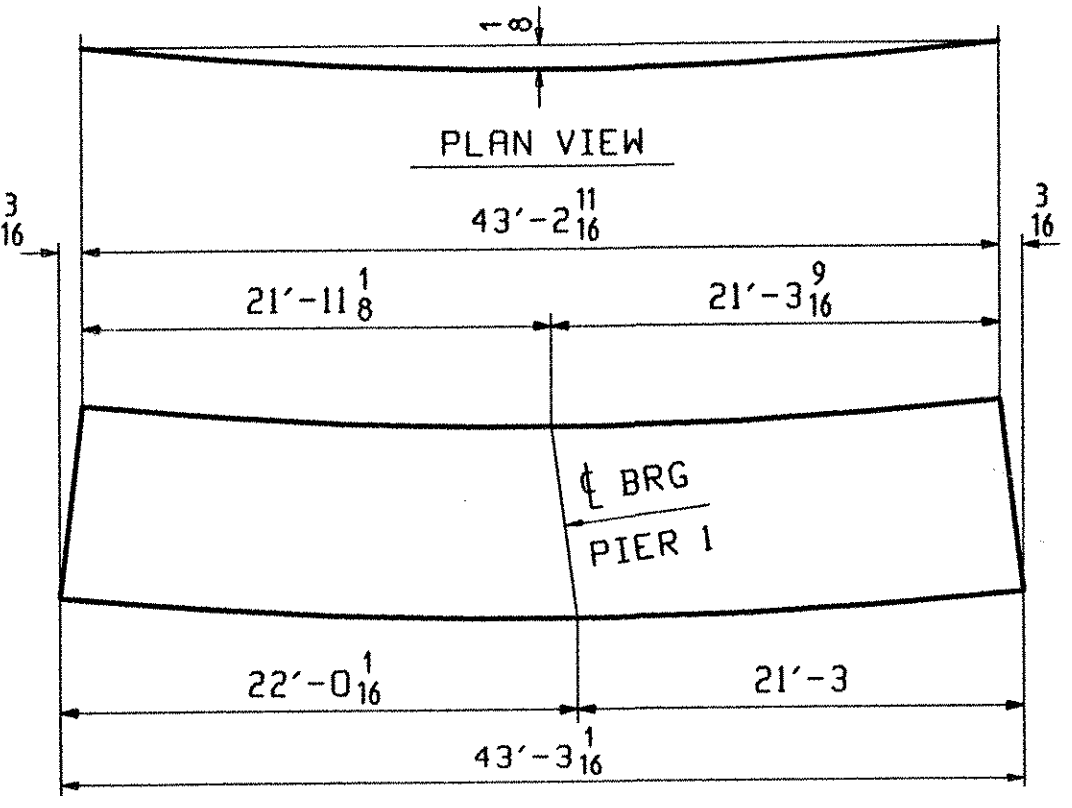
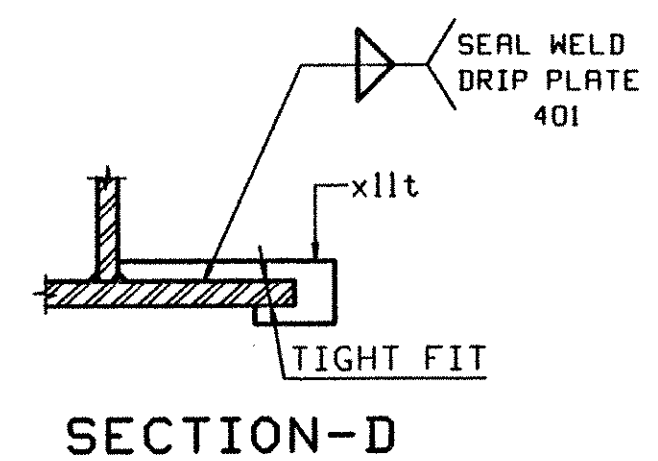
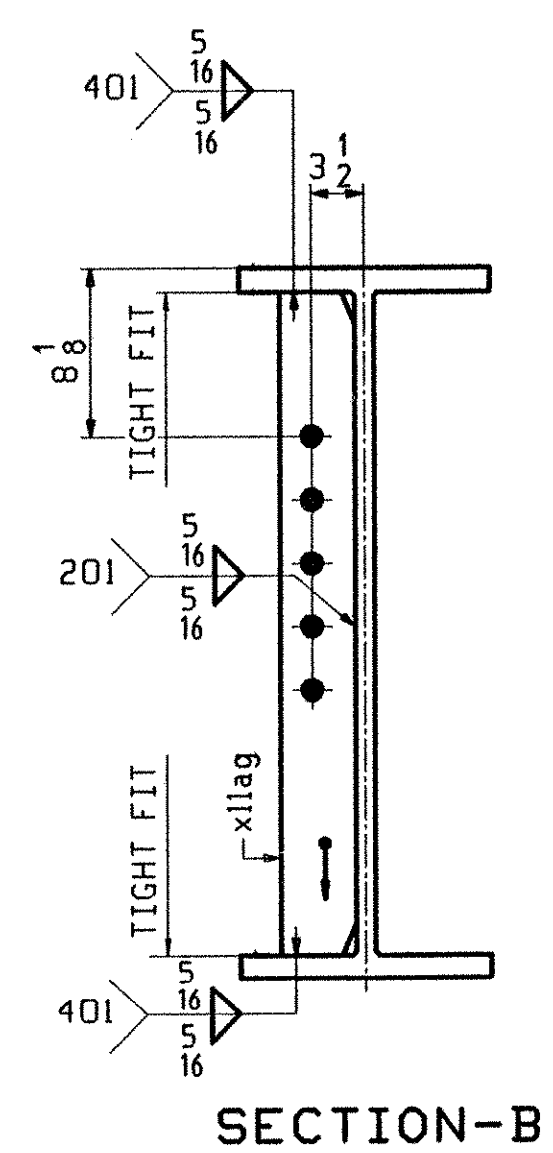
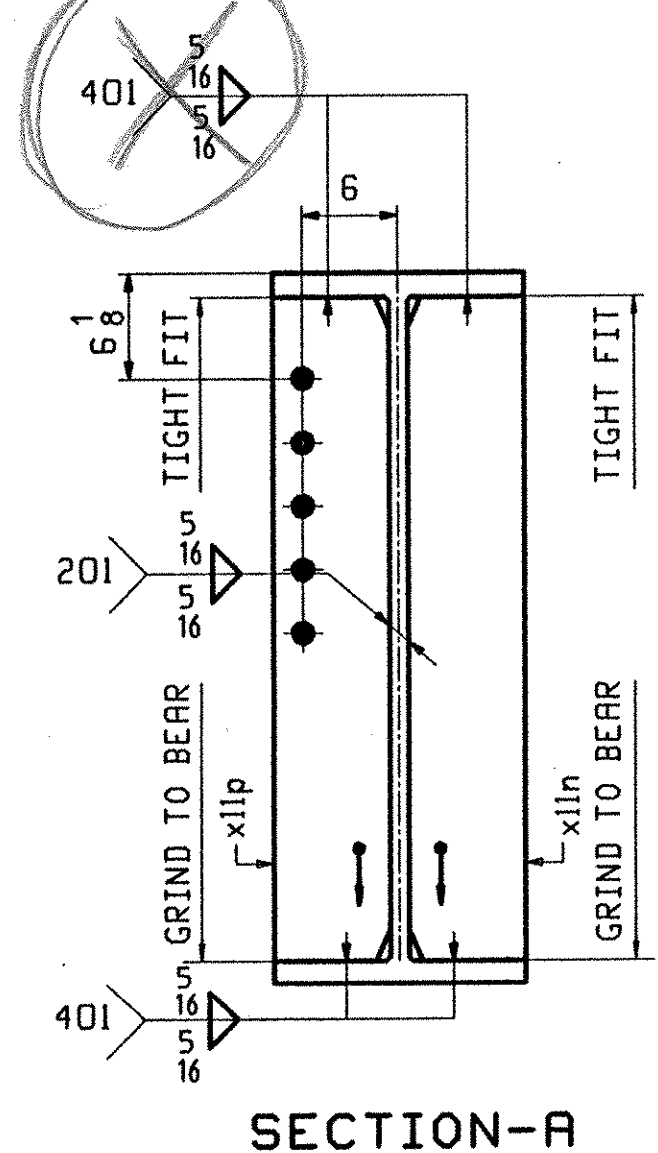
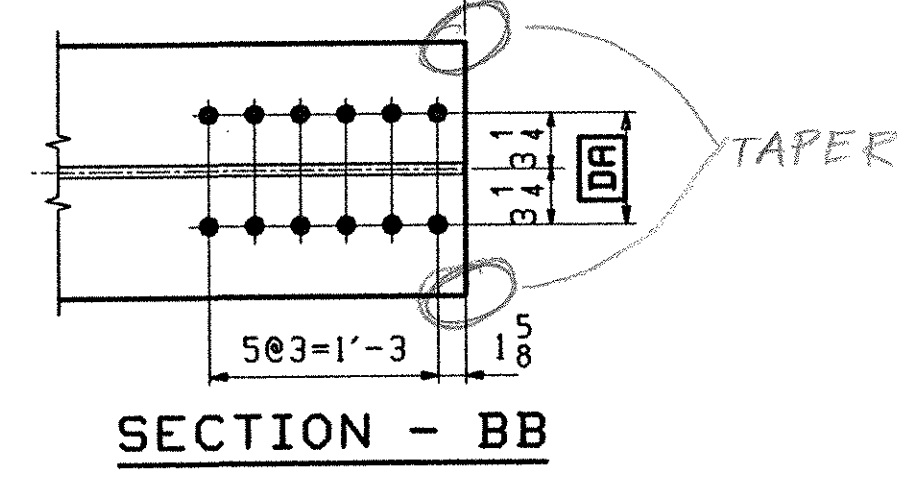
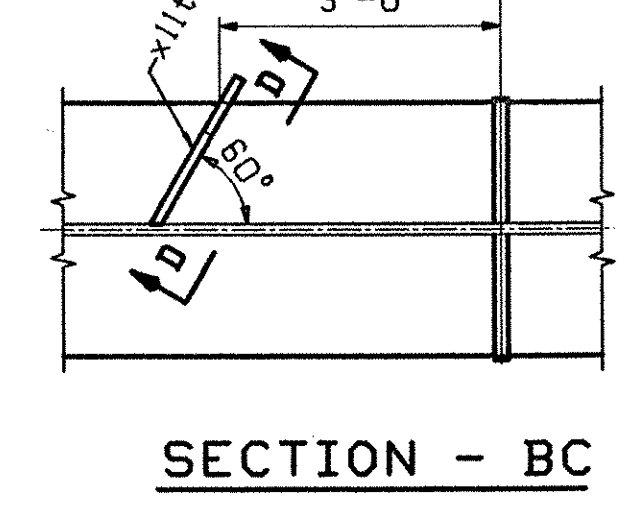
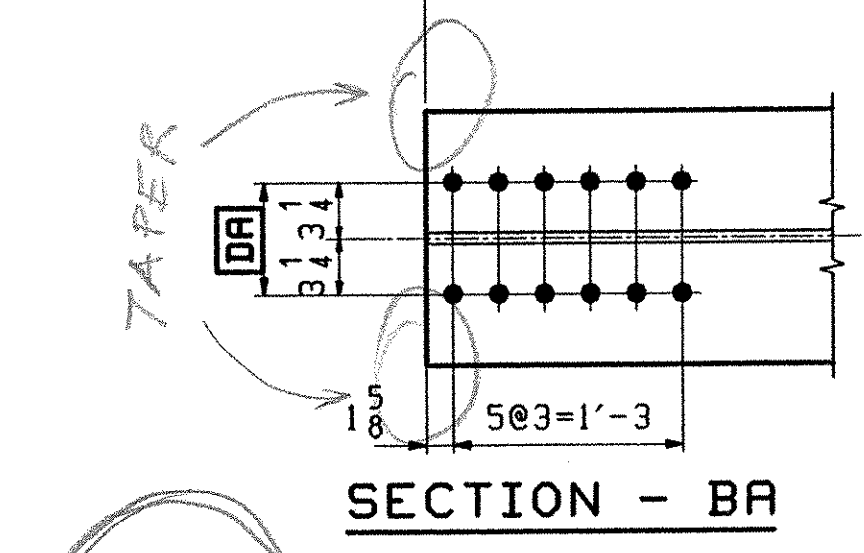


JOB NO.		DRAWING NO.		REV.					
106		106							
PAGE	LINE	MARK	QTY	MARK	MATERIAL	LENGTH FT INCHES	REMARKS	WT	PROCUREMENT NOTES
		SIB	1		STRINGER			8840	
101	A		1	wa	W 33x201	43 3/16	(M270-50HT2) (H2-3)		
102	M		1	xilag	PL 1/2x5	2 7/8			
102	L		1	xilp	PL 7/8x7/8	2 7/8			
102	L		1	xilin	PL 7/8x7/8	2 7/8			
102	P		1	xilt	PL 1/4x3/8	0 10 1/16			



**ONE - STRINGER - S1B**  
 1. FOR STRINGER STANDARD DETAILS SEE DRAWING XII.  
 2. FOR CAMBER AND FLANGE DIAGRAMS SEE DRAWING C101.  
 3. FOR GENERAL NOTES SEE DRAWING GNI.



**TVGA**  
 Engineering, Surveying, P.C.  
 NO EXCEPTIONS TAKEN  REJECTED  
 FURNISH AS CORRECTED  
 REVISE AND RESUBMIT  
 ENGINEER has reviewed Shop Drawings and Samples and other data which Contractor is required to submit, only for conformance with the information given in the Contract Documents and compatibility with the design concept of the completed Project as a functioning whole as indicated in the Contract Documents. Such review does not extend to means, methods, techniques, sequences or procedures of construction or to safety precautions and programs incident thereto. Contractor is responsible for compliance to be confirmed and corrected at the job site. For information that pertains solely to the fabrication process or to techniques of construction, and for coordination of the work of all trades.

BY: Pete W. S. I.  
 DATE: 2/20/01

OUT FOR APPROVAL	2-2-01										
ISSUED TO SHOP											
FIELD & OFFICE											
REV.	REMARKS	DATE	DWN	CHK	APP	Q.A.	NO.	DIA.	LGT	TYPE	WASHER
MATERIAL:	M270 GR 50W	ELECTRODES:		HOLES:	15/16 Ø (UN)	SHOP BOLTS:					7/8 Ø (UN)
SURFACE PREP. & PAINT: -STEEL WITHIN 10'-0 OF ABUT 1 SHALL BE PAINTED (SEE GNI) -ALL OTHER STEEL SHALL BE BLAST CLEANED AND LEFT UNPAINTED.											
DESCRIPTION: STRINGER - S1B										DRAWN BY	DATE
JOB: BRIDGE NO. 43S I-89 SB OVER U.S. ROUTE 2 I-89 IMPROVEMENTS TOWN OF MIDDLESEX-BOLTON, VERMONT										PHG	01/23
PROJ NO. 1M-089-2(26)										TRM	01/27
CUSTOMER: VERMONT AGENCY OF TRANSPORTATION										APPROV BY	
CASCO BAY STEEL STRUCTURES, INC.										SUPERVISOR	N. J. GATTI
75 SPRING HILL ROAD SACO, MAINE 04072										Q.A.	
PHONE (207) 282-7360 FAX. (207) 282-1179										JOB NO.	DRG. NO.
										116-43S	106
										REV.	