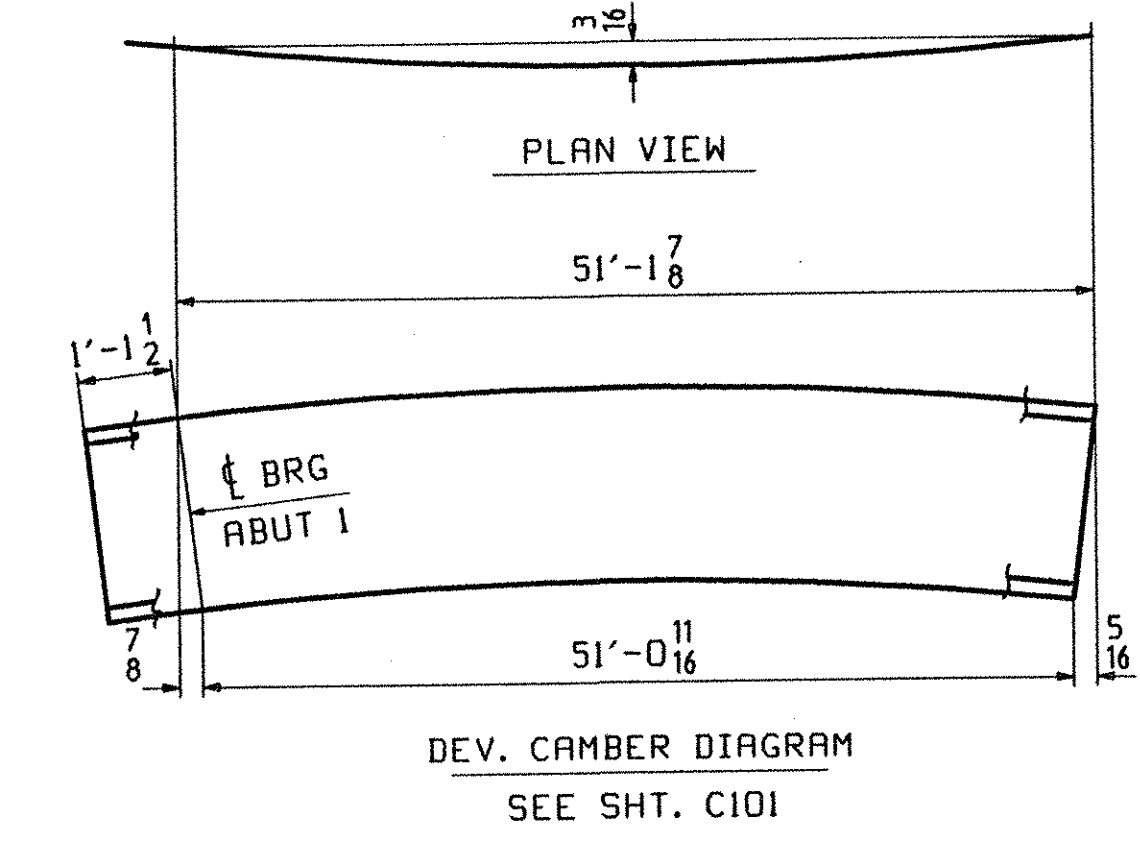
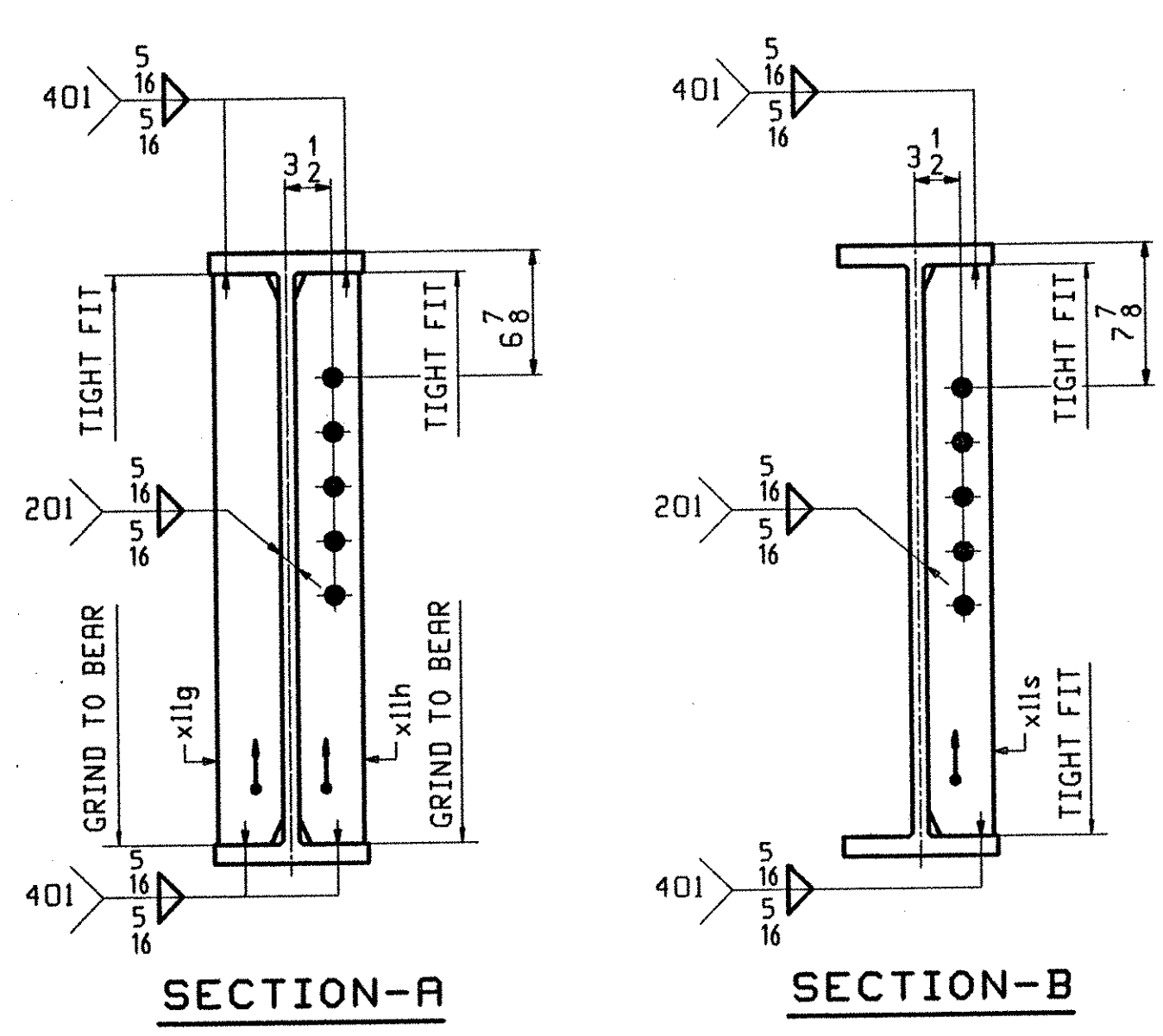


ONE - STRINGER - S5A
 1. FOR STRINGER STANDARD DETAILS SEE DRAWING XII.
 2. FOR CAMBER AND FLANGE DIAGRAMS SEE DRAWING C101.
 3. FOR GENERAL NOTES SEE DRAWING GNI.



BILL OF MATERIAL						JOB NO.	DRAWING NO.	REV.
PAGE	LINE	MARK	QTY	MARK	MATERIAL	REMARKS	WT	PROCUREMENT NOTES
		SSA	1		STRINGER		7395	
101	C		1	wa	W 33x130	(M270-50WT2) (H2-3)		
102	B		2	x11a	PL 1/2x29 1/2	(M270-50WT2) (H2-3)		
102	F		2	x11d	PL 16GA x 9 3/8	(A606-4) FILL		
102	C		2	x11b	PL 5/8x11 1/2	(M270-50WT2) (H2-3)		
102	D		4	x11c	PL 3/4x4 1/2	(M270-50WT2) (H2-3)		
102	G		2	x11f	PL 5/16x11 1/2	FILL		
102	K		1	x11g	PL 5/8x5			
102	K		1	x11h	PL 5/8x5			
102	M		2	x11s	PL 1/2x5			

TVGA
 Engineering, Surveying, P.C.
 NO EXCEPTIONS TAKEN REJECTED
 FURNISH AS CORRECTED
 REVISE AND RESUBMIT
 ENGINEER has reviewed Shop Drawings and Samples and other data which Contractor is required to submit, and for conformance with the information given in the Contract Documents and compatibility with the design concept of the completed Project as a functioning whole as indicated in the Contract Documents. Such review is not intended to insure methods, techniques, sequences or procedures of construction or to safety precautions and programs incident thereto. Contractor is responsible for dimensions to be confirmed and correlated at the job site for information that pertains solely to the fabrication processes or to techniques of construction; and for coordination of the work of all trades.
 BY: *Pet W. G. J.*
 DATE: *2/24/01*

OUT FOR APPROVAL	2-2-01											
OUT FOR APPROVAL												
ISSUED TO SHOP												
FIELD & OFFICE												
REV.	REMARKS	DATE	DWN	CHK	APP	O.A.	NO.	DIA.	LGT	TYPE	WASHER	
	MATERIAL:											
	M270 GR 50W U.N.						15/16 Ø (UN)				7/8 Ø (UN)	
	SURFACE PREP. & PAINT: -STEEL WITHIN 10'-0 OF ABUT 1 SHALL BE PAINTED (SEE GNI) -ALL OTHER STEEL SHALL BE BLAST CLEANED AND LEFT UNPAINTED.											
	DESCRIPTION:	STRINGER - S5A				DRAWN BY	DATE					
	JOB:	BRIDGE NO. 435 I-89 SB OVER U.S. ROUTE 2 I-89 IMPROVEMENTS TOWN OF MIDDLESEX-BOLTON, VERMONT				PHG	01/23					
						CHKD BY						
						TRM	01/27					
						APPROV BY						
						SUPERVISOR	H. J. GATTI					
	PROJ NO.	1M-089-2(26)										
	CUSTOMER:	VERMONT AGENCY OF TRANSPORTATION										
	CASCO BAY STEEL STRUCTURES, INC.	JOB NO.	DRG. NO.									
	75 SPRING HILL ROAD	116-435	105									
	PHONE (207) 282-7360	SACO, MAINE 04072										
		FAX. (207) 282-1179										
			REV.									

116-435-105-1 Rev 0
 2/24/01
 10:43:08 EST 2001