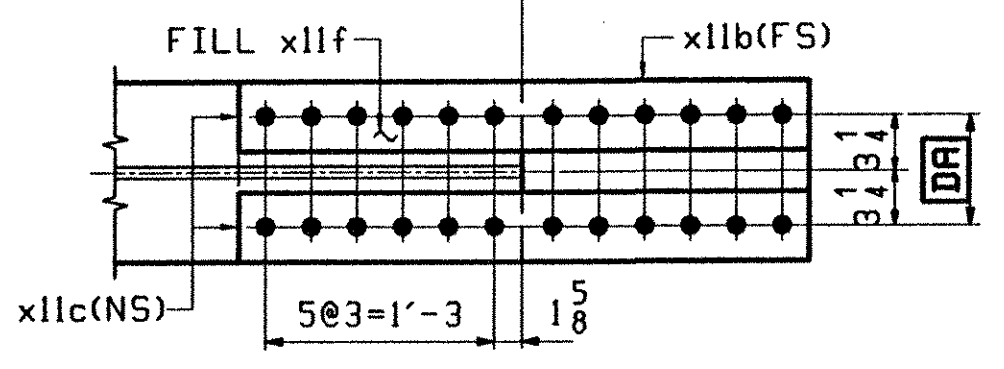
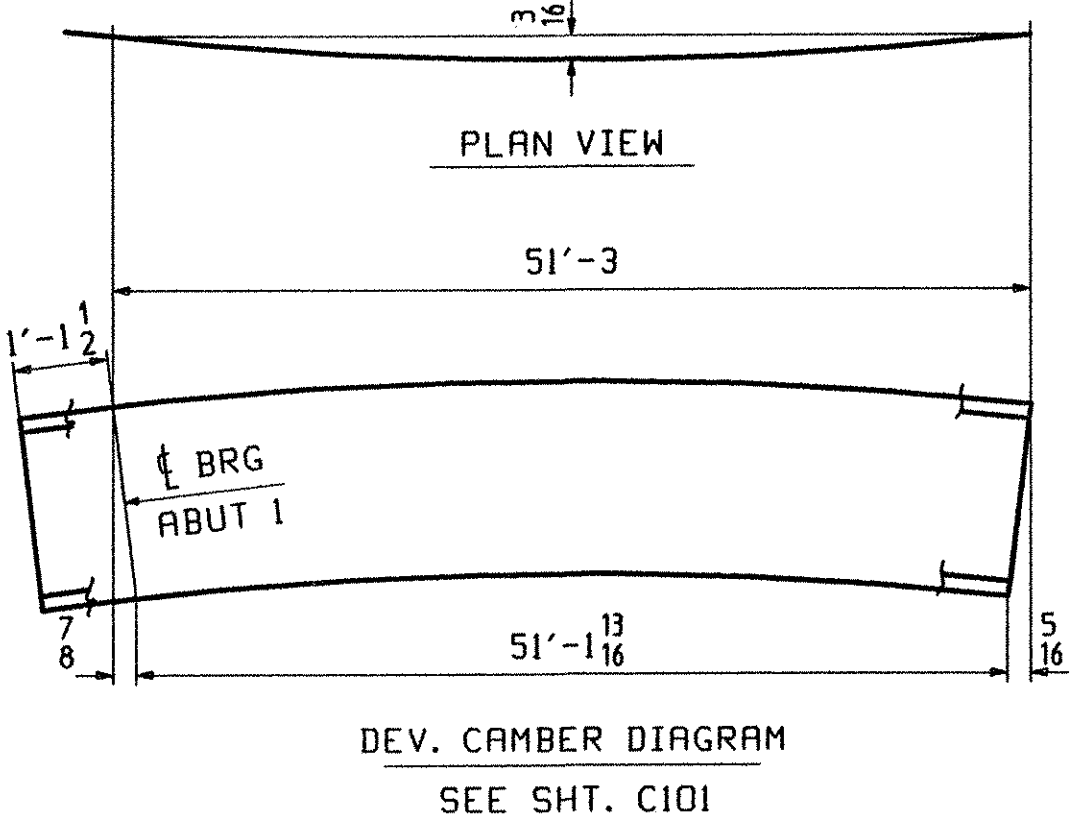
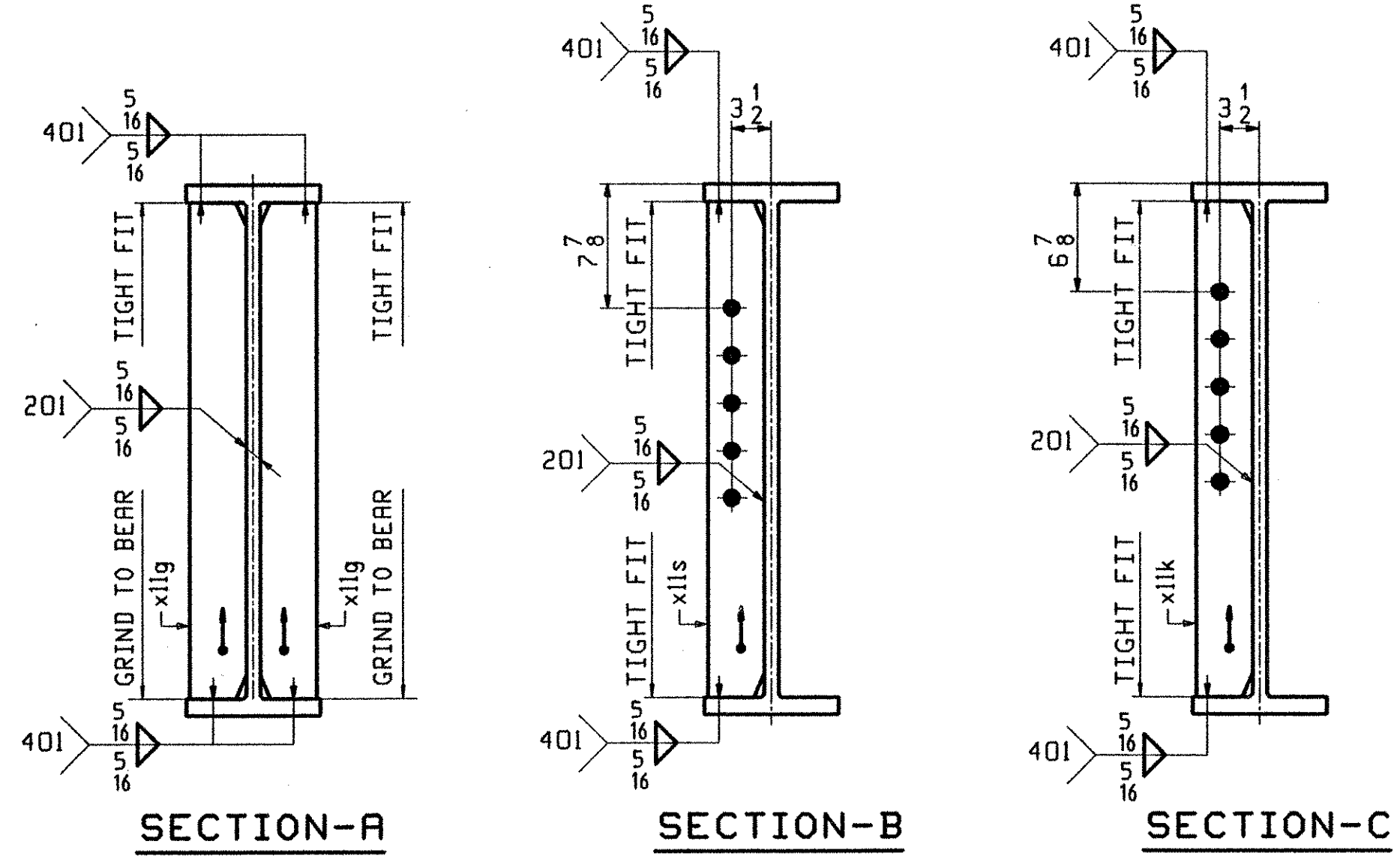


ONE - STRINGER - S1A

1. FOR STRINGER STANDARD DETAILS SEE DRAWING XII.
2. FOR CAMBER AND FLANGE DIAGRAMS SEE DRAWING C101.
3. FOR GENERAL NOTES SEE DRAWING GNI.



SECTION - BA



ABM INFO		BILL OF MATERIAL				JOB NO.	DRAWING NO.	REV.	
PAGE	LINE	MARK	QTY	MARK	MATERIAL	LENGTH FT INCHES	REMARKS	WT	PROCUREMENT NOTES
		S1A	1		STRINGER			7435	
101	C		1	wa	W 33x130	52 4 1/2	(M270-50WT2) (H2-3)		
102	B		2	x11a	PL 1/2x29 1/2	1 7	(M270-50WT2) (H2-3)		
102	F		2	x11d	PL 16GA x 9 3/8	2 5 1/2	(B606-4) FILL		
102	C		2	x11b	PL 5/8x11 1/2	3 1	(M270-50WT2) (H2-3)		
102	D		4	x11c	PL 3/4x4 1/2	3 1	(M270-50WT2) (H2-3)		
102	G		2	x11f	PL 5/16x11 1/2	1 6 3/8	FILL		
102	K		2	x11g	PL 5/8x5	2 7 3/8			
102	K		1	x11k	PL 5/8x5	2 7 3/8			
102	M		2	x11s	PL 1/2x5	2 7 3/8			

TVGA
Engineering, Surveying, P.C.

NO EXCEPTIONS TAKEN REJECTED
 FURNISH AS CORRECTED REVISE AND RESUBMIT

ENGINEER has reviewed Shop Drawings and Samples and other data which Contractor is required to submit, for conformance with the information given in the Contract Documents and compliance with the design concept of the completed Project as a functioning whole as indicated in the Contract Documents. Such reviews do not intend to ensure, methods, techniques, sequences or procedures of construction or to safety precautions and programs incident thereto. Contractor is responsible for discrepancies to be confirmed and corrected at the job site; for information that pertains solely to the fabrication processes or to techniques of construction; and for coordination of the work of all trades.

BY: P. W. S. T.
DATE: 3/22/01

OUT FOR APPROVAL	2-2-21											
OUT FOR APPROVAL												
ISSUED TO SHOP												
FIELD & OFFICE												
REV.	REMARKS	DATE	DWN	CHK	APP	Q.A.	NO.	DIA.	LGT	TYPE	WASHER	
	MATERIAL: M270 GR 50W U.N.											
	ELECTRODES:											
	HOLES:							15/16		(UN)		
	SHOP BOLTS:									7/8	(UN)	
SURFACE PREP. & PAINT: -STEEL WITHIN 10'-0" OF ABUT 1 SHALL BE PAINTED (SEE GNI) -ALL OTHER STEEL SHALL BE BLAST CLEANED AND LEFT UNPAINTED.												
DESCRIPTION: STRINGER - S1A										DRAWN BY		DATE
JOB: BRIDGE NO. 435										PHG		01/22
1-89 SB OVER U.S. ROUTE 2										CHKD BY		
1-89 IMPROVEMENTS										TRM		01/27
TOWN OF MIDDLESEX-BOLTON, VERMONT										APPROV BY		
PROJ NO. IM-089-2(26)										SUPERVISOR		M. J. GATTI
CUSTOMER: VERMONT AGENCY OF TRANSPORTATION										Q.A.		
CASCO BAY STEEL STRUCTURES, INC.										JOB NO.		DRG. NO.
75 SPRING HILL ROAD										116-435		101
PHONE (207) 282-7360										SACO, MAINE 04072		REV.
FAX. (207) 282-1179												△