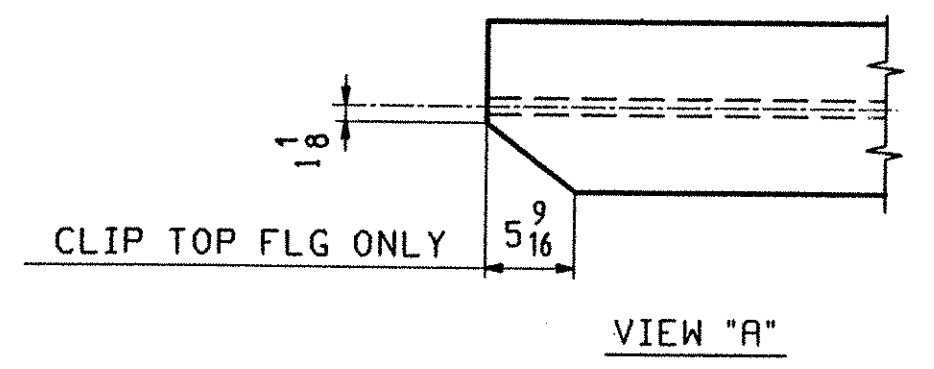
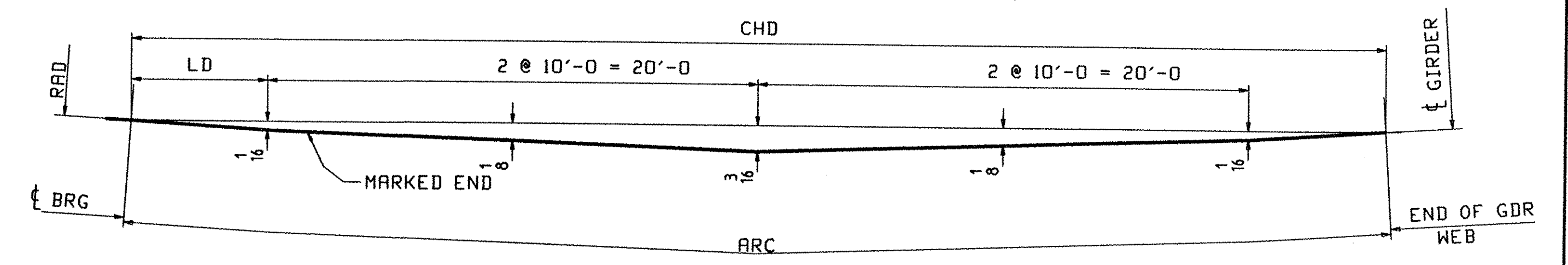


CAMBER DIAGRAM FOR S1A, S2A, S3A, S4A, & S5A



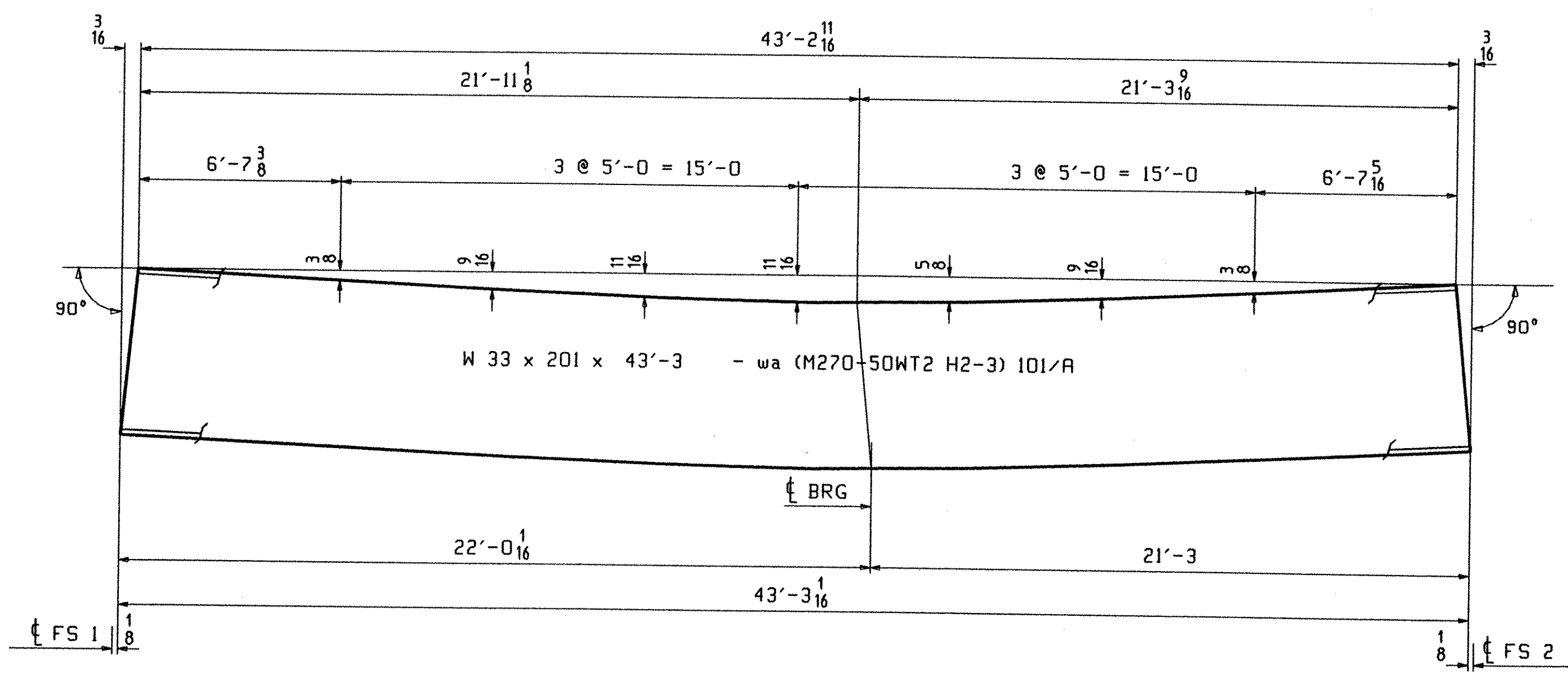
MARK	TL	BL	WX1	LD	RD
S1A	51'-3	51'-1 ¹³ / ₁₆	52'-4 ¹ / ₂	5'-7 ¹ / ₂	5'-7 ¹ / ₂
S2A	51'-2 ¹¹ / ₁₆	51'-1 ¹ / ₂	52'-4 ³ / ₁₆	5'-7 ³ / ₈	5'-7 ⁵ / ₁₆
S3A	51'-2 ⁷ / ₁₆	51'-1 ¹ / ₄	52'-3 ¹⁵ / ₁₆	5'-7 ¹ / ₄	5'-7 ³ / ₁₆
S4A	51'-2 ¹ / ₈	51'-0 ¹⁵ / ₁₆	52'-3 ⁵ / ₈	5'-7 ¹ / ₈	5'-7
S5A	51'-1 ⁷ / ₈	51'-0 ¹¹ / ₁₆	52'-3 ³ / ₈	5'-7	5'-6 ⁷ / ₈



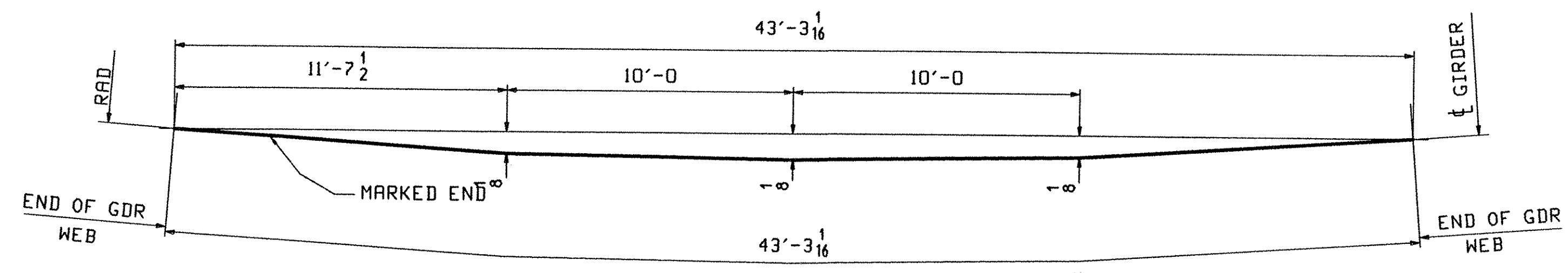
HORIZONTAL SWEEP DIAGRAM

DIMENSIONS ALONG BTM OF STRINGER

MARK	ARC	CHD	RAD	LD
S1A	51'-1 ¹³ / ₁₆	51'-1 ¹³ / ₁₆	22866.320	5'-6 ⁷ / ₈
S2A	51'-1 ¹ / ₂	51'-1 ¹ / ₂	22873.820	5'-6 ³ / ₄
S3A	51'-1 ¹ / ₄	51'-1 ¹ / ₄	22881.320	5'-6 ⁵ / ₈
S4A	51'-0 ¹⁵ / ₁₆	51'-0 ¹⁵ / ₁₆	22888.820	5'-6 ¹ / ₂
S5A	51'-0 ¹¹ / ₁₆	51'-0 ¹¹ / ₁₆	22896.320	5'-6 ⁵ / ₁₆



CAMBER DIAGRAM FOR S1B, S2B, S3B, S4B, & S5B



HORIZONTAL SWEEP DIAGRAM

DIMENSIONS ALONG BTM OF STRINGER

MARK	RAD
S1B	22866.320
S2B	22873.820
S3B	22881.320
S4B	22888.820
S5B	22896.320

OUT FOR APPROVAL	2-2-11								
OUT FOR APPROVAL									
ISSUED TO SHOP									
FIELD & OFFICE									

REV.	REMARKS	DATE	DWN	CHK	APP	Q.A.	NO.	DIA.	LGT	TYPE	WASHER
	MATERIAL: M270 GR 50W										
	ELECTRODES:										
	HOLES: 15/16 Ø (UN)										
	SHOP BOLTS: 7/8 Ø (UN)										

SURFACE PREP. & PAINT:
 -STEEL WITHIN 10'-0 OF ABUT I SHALL BE PAINTED (SEE GNI)
 -ALL OTHER STEEL SHALL BE BLAST CLEANED AND LEFT UNPAINTED.

DESCRIPTION:	CAMBER DIAGRAMS	DRAWN BY	DATE
JOB:	BRIDGE NO. 435 I-89 SB OVER U.S. ROUTE 2 I-89 IMPROVEMENTS TOWN OF MIDDLESEX-BOLTON, VERMONT	VHJ	01/11
APPROV BY		MMJ	01/15
SUPERVISOR	H. J. GATTI		
PROJ NO.	IM-089-2(26)	Q.A.	
CUSTOMER:	VERMONT AGENCY OF TRANSPORTATION		
CASCO BAY STEEL STRUCTURES, INC.	75 SPRING HILL ROAD PHONE (207) 282-7360	SACO, MAINE 04072 FAX. (207) 282-1179	JOB NO. 116-435 DRG. NO. C101 REV.

TVGA
 Engineering, Surveying, P.C.
 NO EXCEPTIONS TAKEN
 FURNISH AS CORRECTED
 REVISE AND RESUBMIT
 REJECTED
 ENGINEER has reviewed Shop Drawings and Samples and other data which Contractor is required to submit, only for conformance with the information given in the Contract Documents and compatibility with the design concept of the Contract Documents. Such review shall extend to means, methods, techniques, sequences or procedures of construction or to safety precautions and programs incident thereto. Contractor is responsible for dimensions to be confirmed and corrected at the job site for information that pertains solely to the fabrication process or to techniques of construction, and for coordination of the work of all trades.
 BY: *Pet W. Gatti*
 DATE: 2/20/11

NOTES:
 1. FOR GENERAL NOTES SEE DWG GNI.