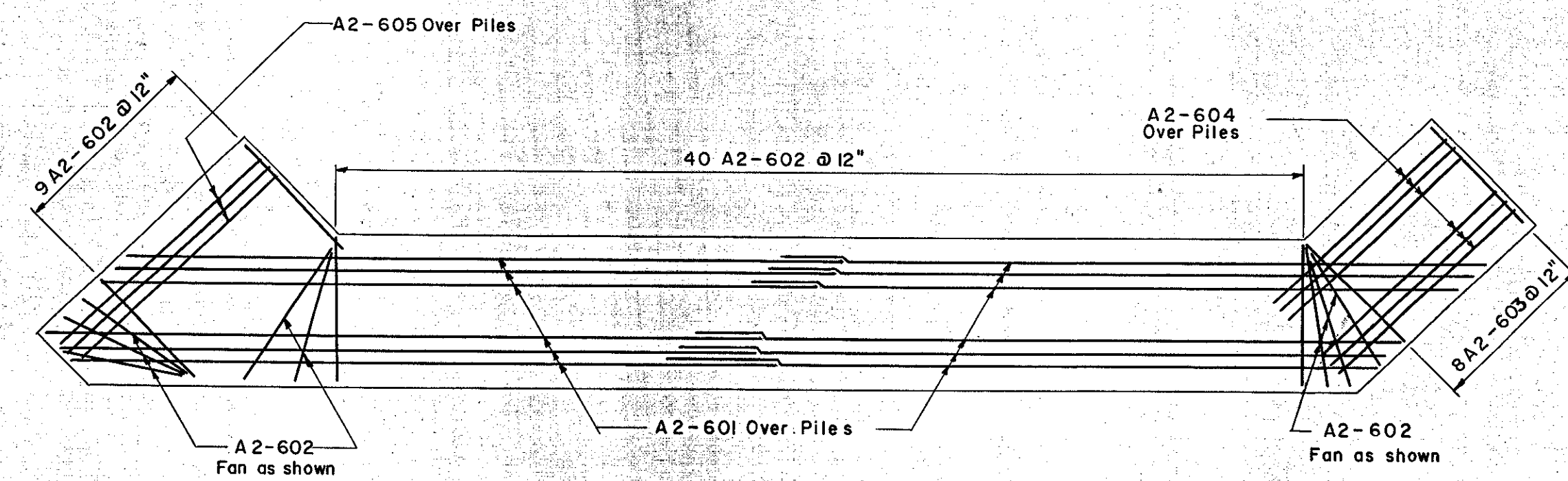
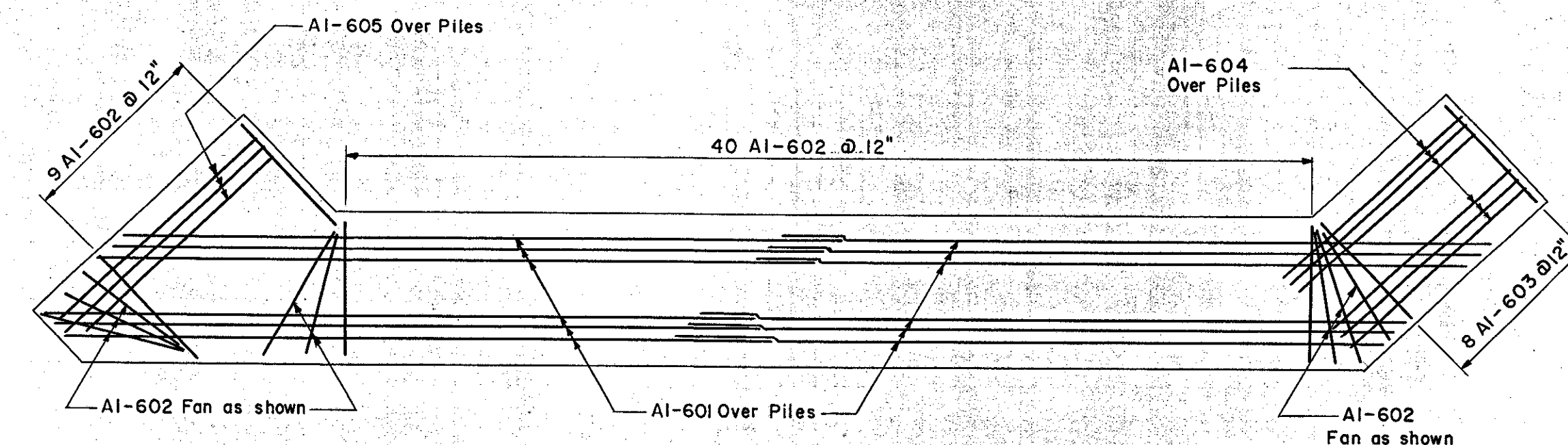


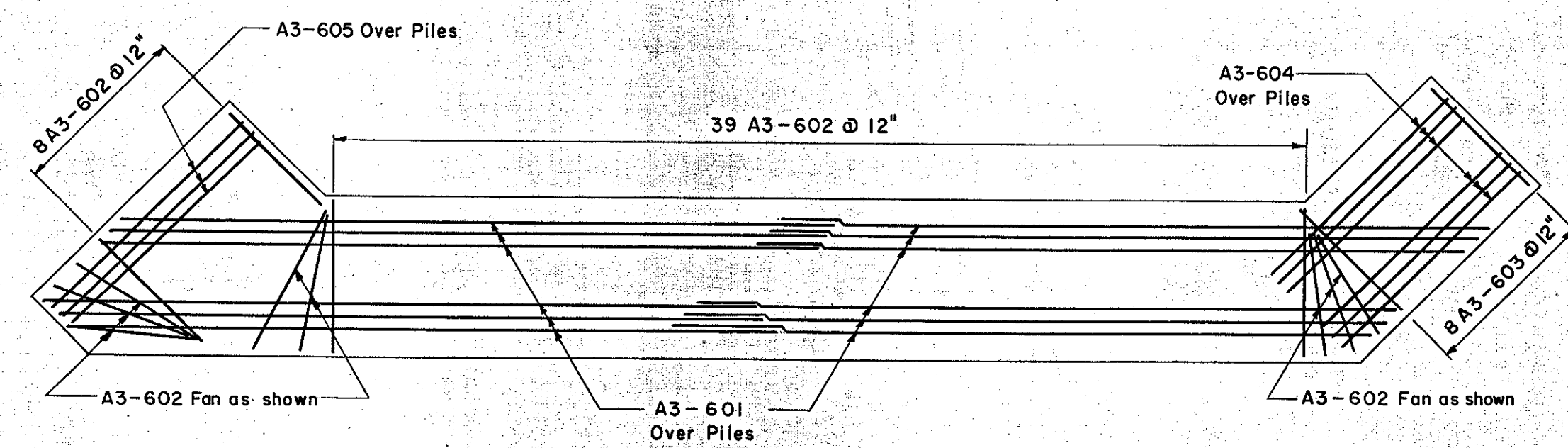
| R.P.R. DIV. NO. | STATE | PROJECT NO. | SHEET NO. | TOTAL SHEETS |
|-----------------|-------|-------------|-----------|--------------|
| 1 | VT. | I-89-2 (7) | 250 | 307 |



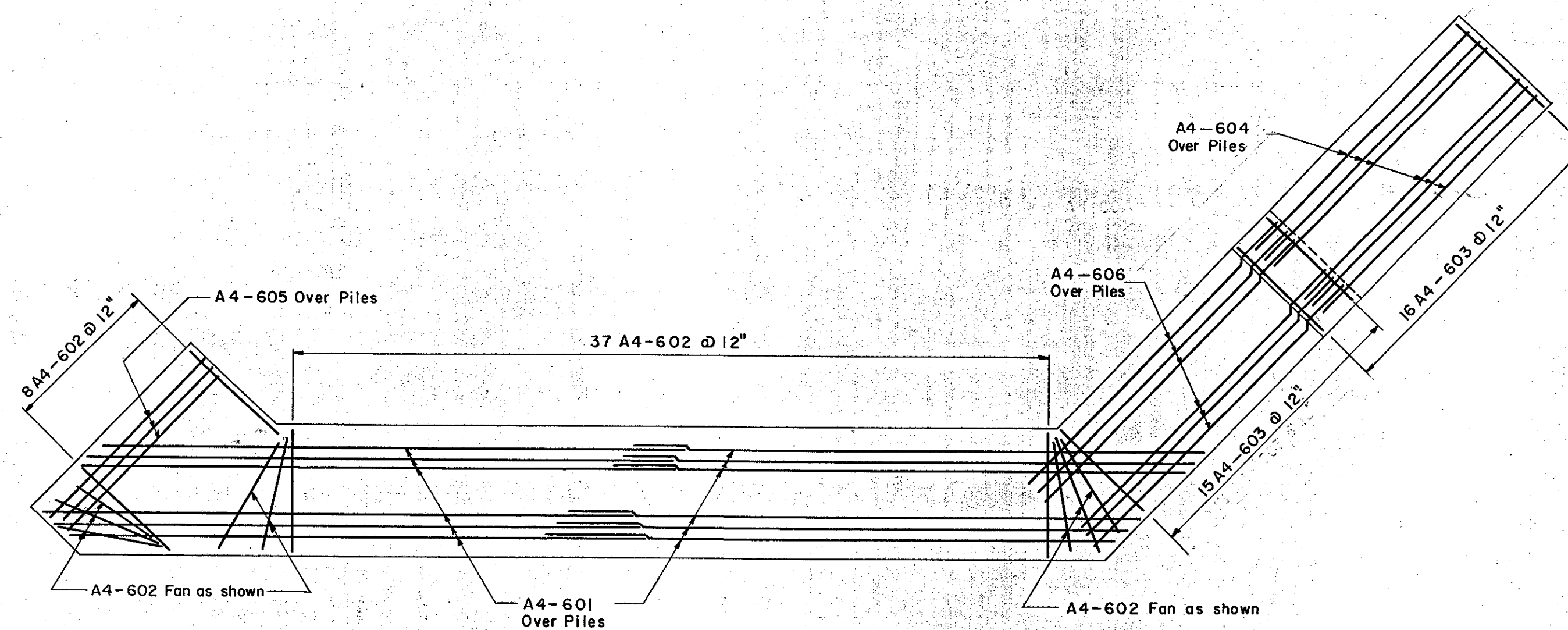
FOOTING REINFORCING PLAN ABUTMENT NO. 2
Scale: 3/16" = 1'-0"



FOOTING REINFORCING PLAN ABUTMENT NO. 1
Scale: 3/16" = 1'-0"



FOOTING REINFORCING PLAN ABUTMENT NO. 3
Scale: 3/16" = 1'-0"



FOOTING REINFORCING PLAN ABUTMENT NO. 4
Scale: 3/16" = 1'-0"

Note:
1. For section of Abutment footings see Sheet No. 115
2. For details of Abutments and Pile Plans see Sheets No. 112 & 113

IM 089-2(26)
This sheet for information only
BR 50 N & S

CONTRACT NO. 2

ABUTMENT FOOTING REINFORCING PLANS
STATE OF VERMONT
DEPARTMENT OF HIGHWAYS

INTERSTATE PROJECT in the town of
WATERBURY
INTERSTATE OVER STA. 939+50
U.S. ROUTE 2 (RELOC) OVER STA. 20+00

THE CLARKESON ENGINEERING CO., INC.
CONSULTING ENGINEERS

BOSTON MASSACHUSETTS
SURVEYED BY A.R.C. CHECKED BY D.S. & J.B. SCALE AS NOTED
DRAWN BY A.R.C. IN CHARGE J.V.B. DATE 8-19-86
PROJECT NO. I-89-2 (7) SHEET 250 OF 307