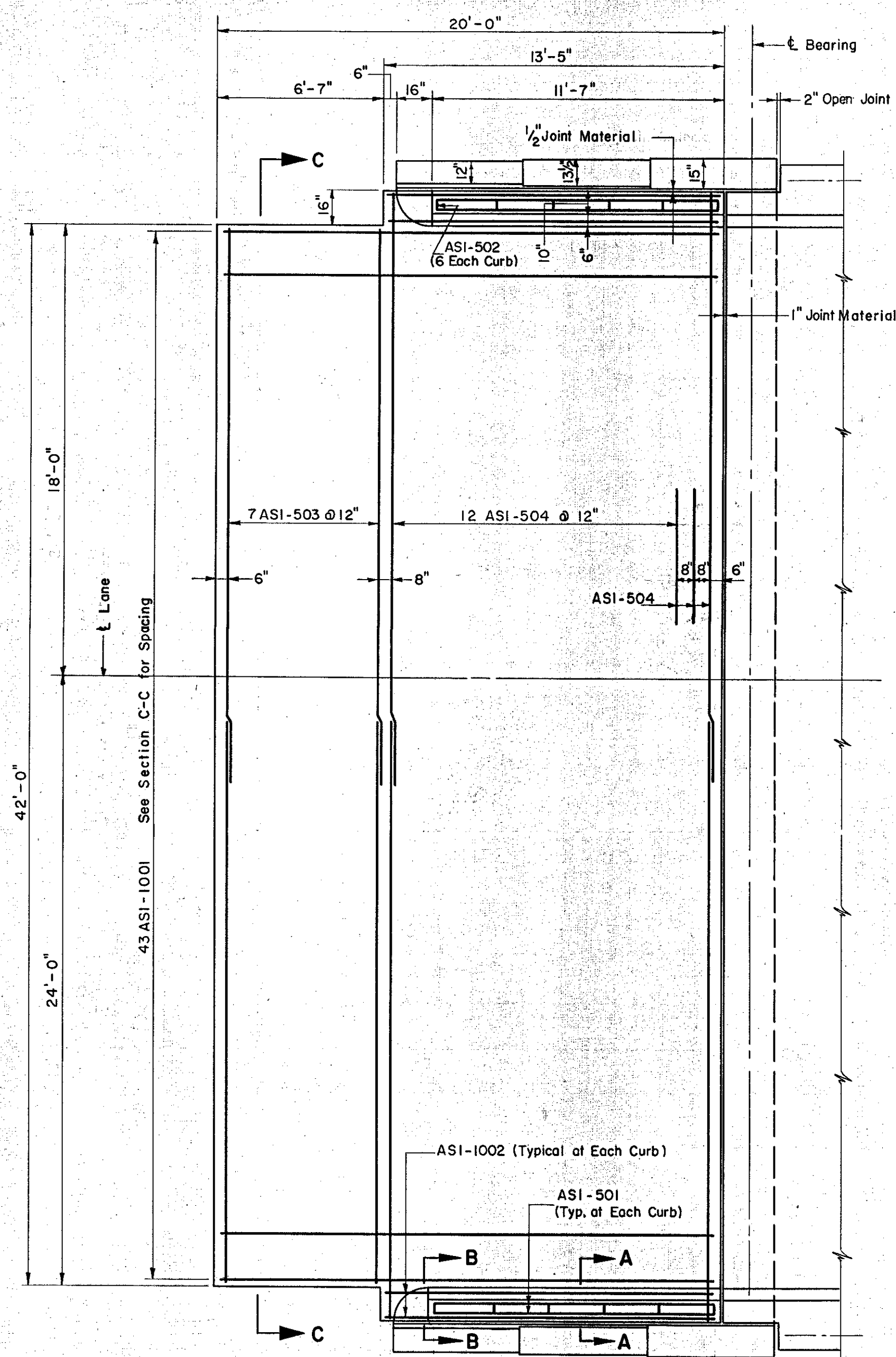
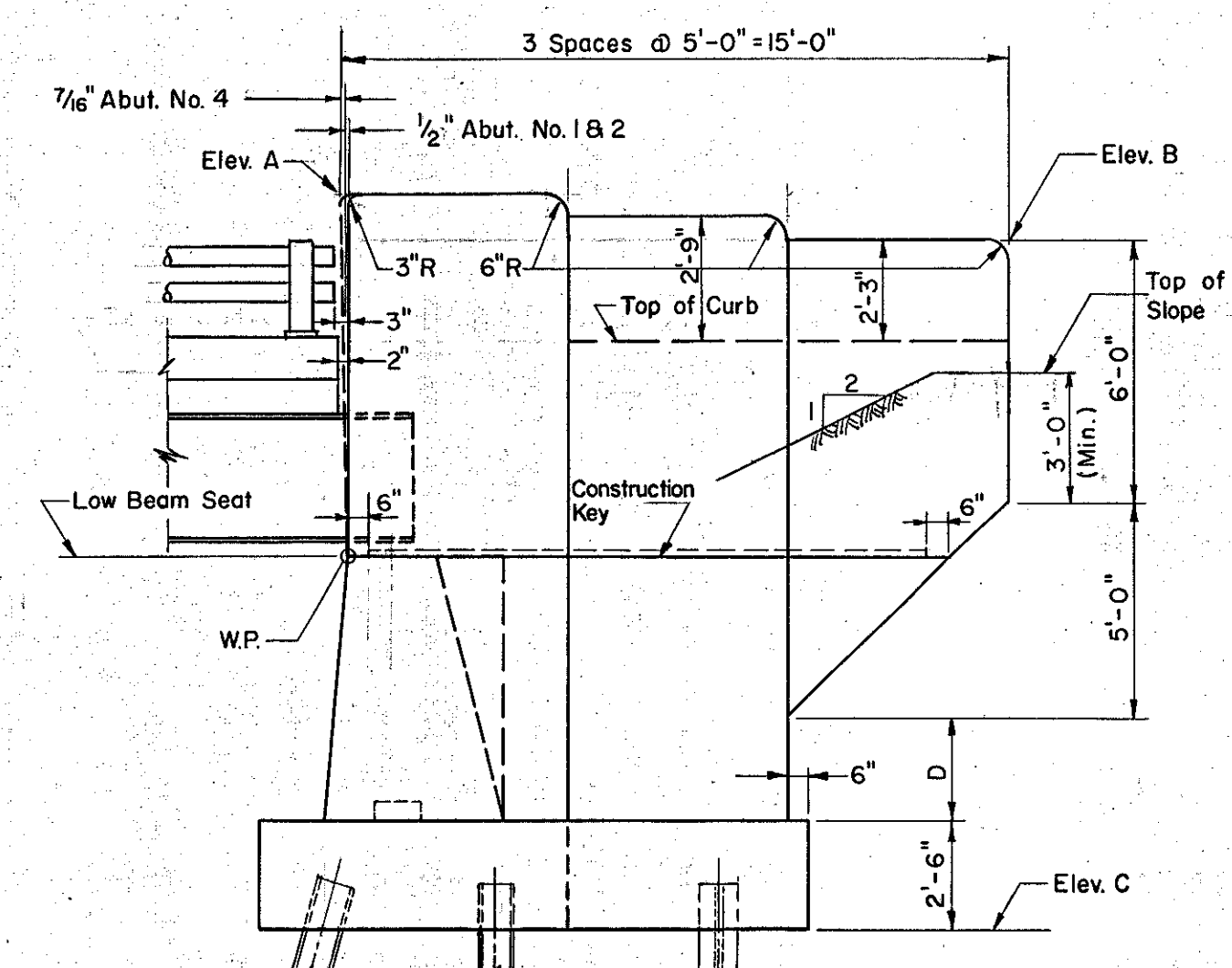


B. P. R. DIV. NO.	STATE	PROJECT NO.	SHEET NO.	TOTAL SHEETS
1	VT.	I-89-2 (7)	106	



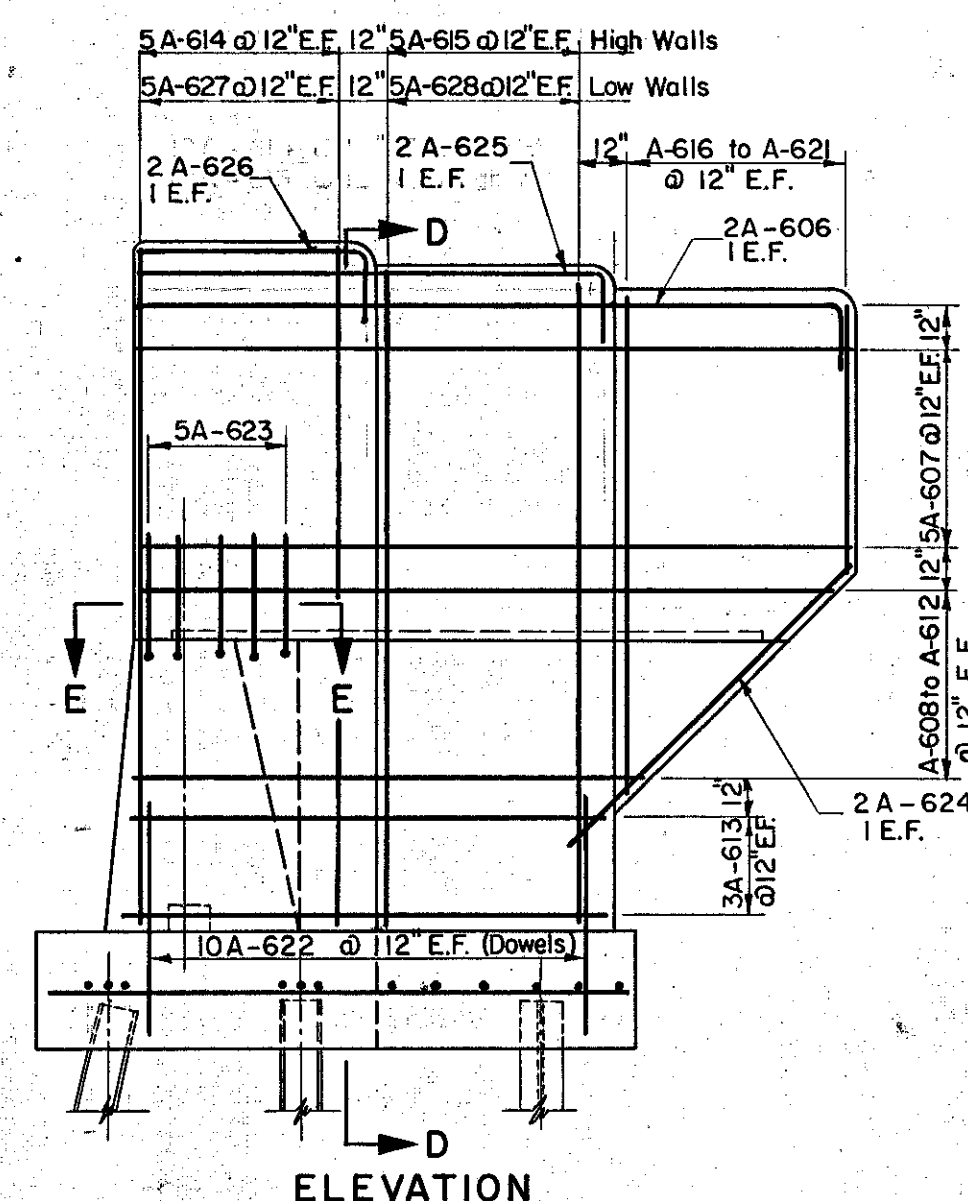
TYPICAL APPROACH SLAB
Scale: 1/4" = 1'-0"

Note: For Sections A-A & B-B See Std. Sheet SB-AS-Sq.57



TYPICAL WINGWALL ELEVATION
ABUTMENTS NO. 1, 2 & 4
Scale: 1/4" = 1'-0"

Note: Wingwalls to be built normal and parallel to grade.



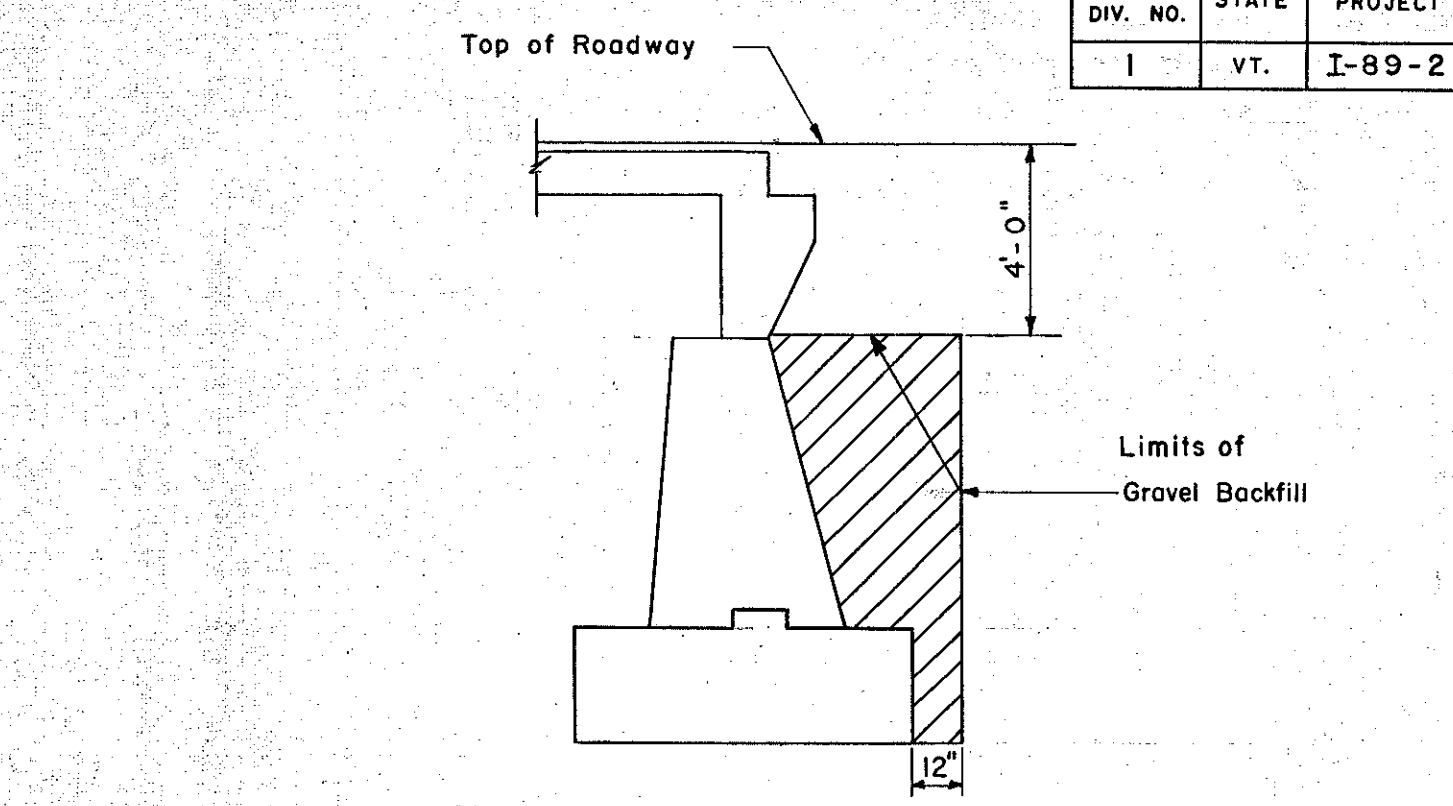
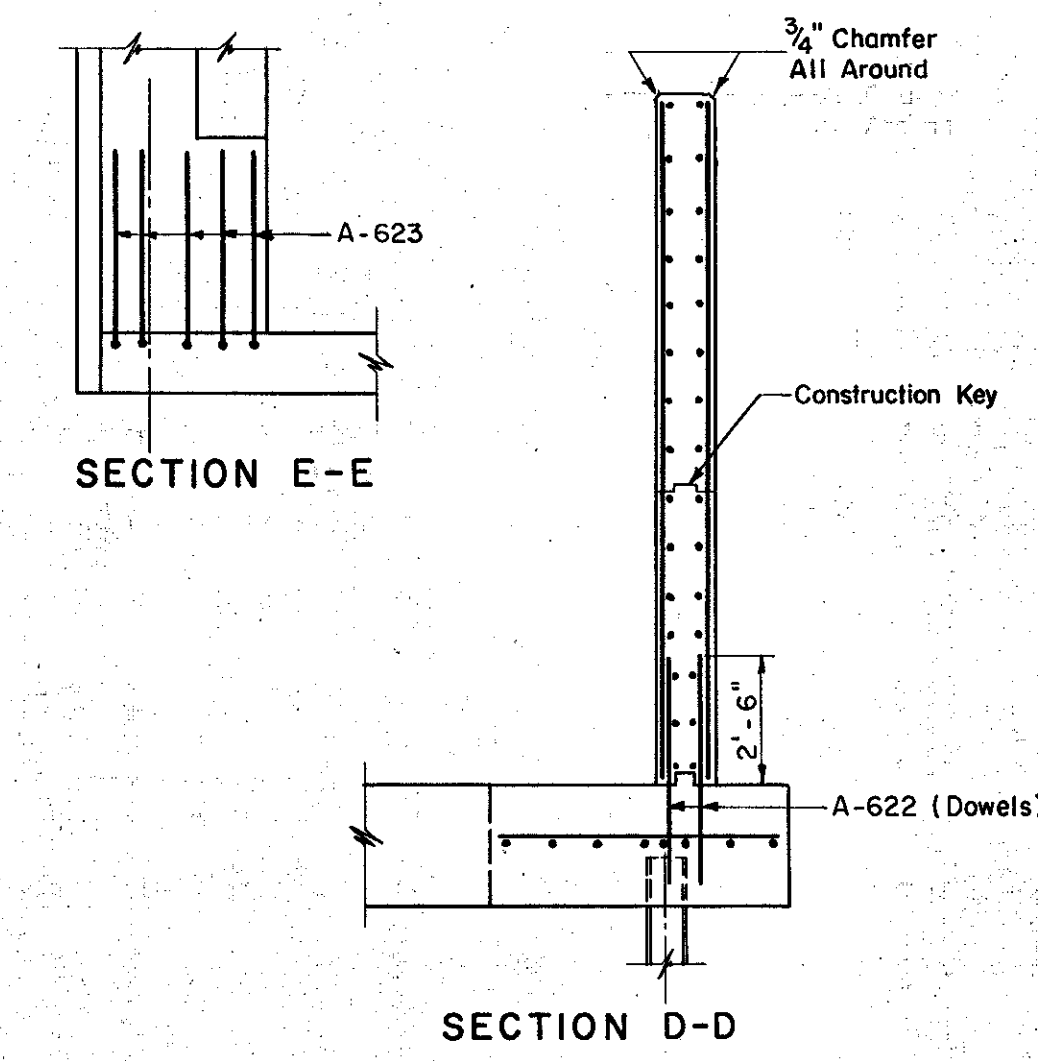
TYPICAL WINGWALL REINFORCING
ABUTMENTS NO. 1, 2 & 4
Scale: 1/4" = 1'-0"

Abutment No. 1	Elev. A	Elev. B	Elev. C	D
South Wingwall	457.63	456.55	440.59	2'-5 1/2"
North Wingwall	457.75	456.67	440.59	2'-7"

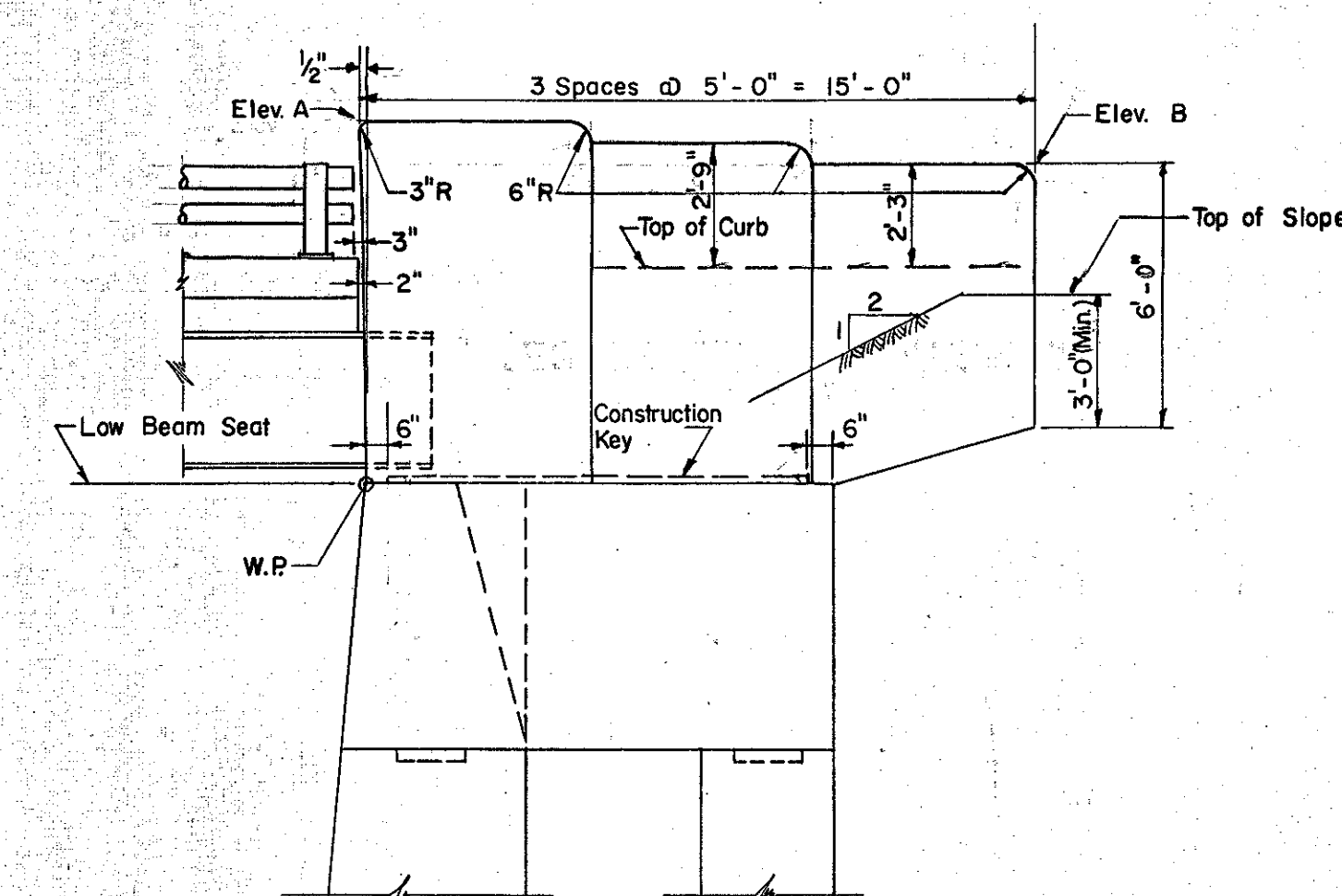
Abutment No. 2	Elev. A	Elev. B	Elev. C	D
South Wingwall	457.73	456.65	440.57	2'-7"
North Wingwall	457.61	456.53	440.57	2'-6 1/2"

Abutment No. 3	Elev. A	Elev. B	Elev. C	D
South Wingwall	458.11	457.19	440.94	2'-10 1/8"
North Wingwall	458.23	457.31	440.94	2'-8 3/8"

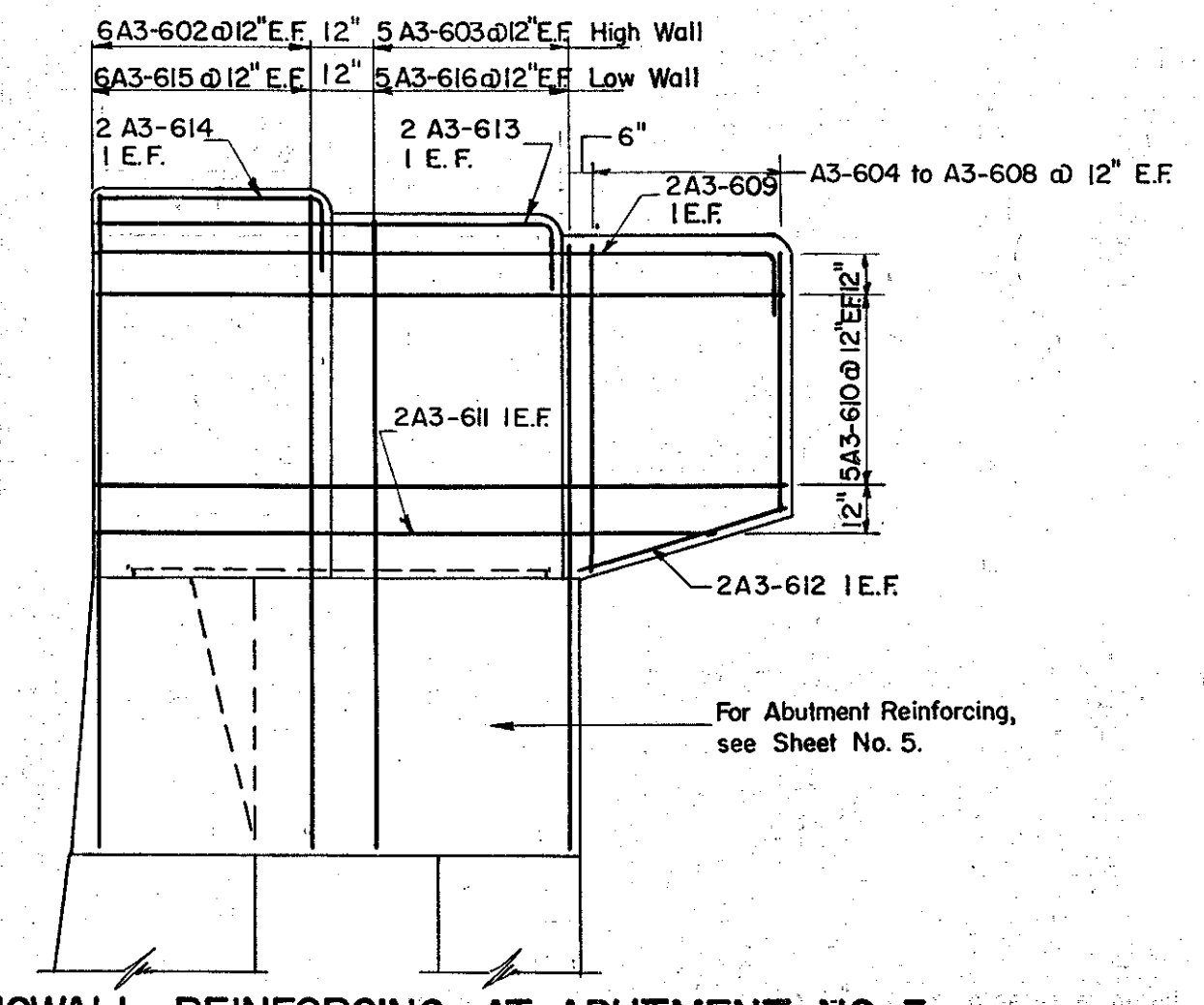
Abutment No. 4	Elev. A	Elev. B	Elev. C	D
South Wingwall	458.21	457.29	440.94	2'-10 1/8"
North Wingwall	458.09	457.17	440.94	2'-8 3/8"



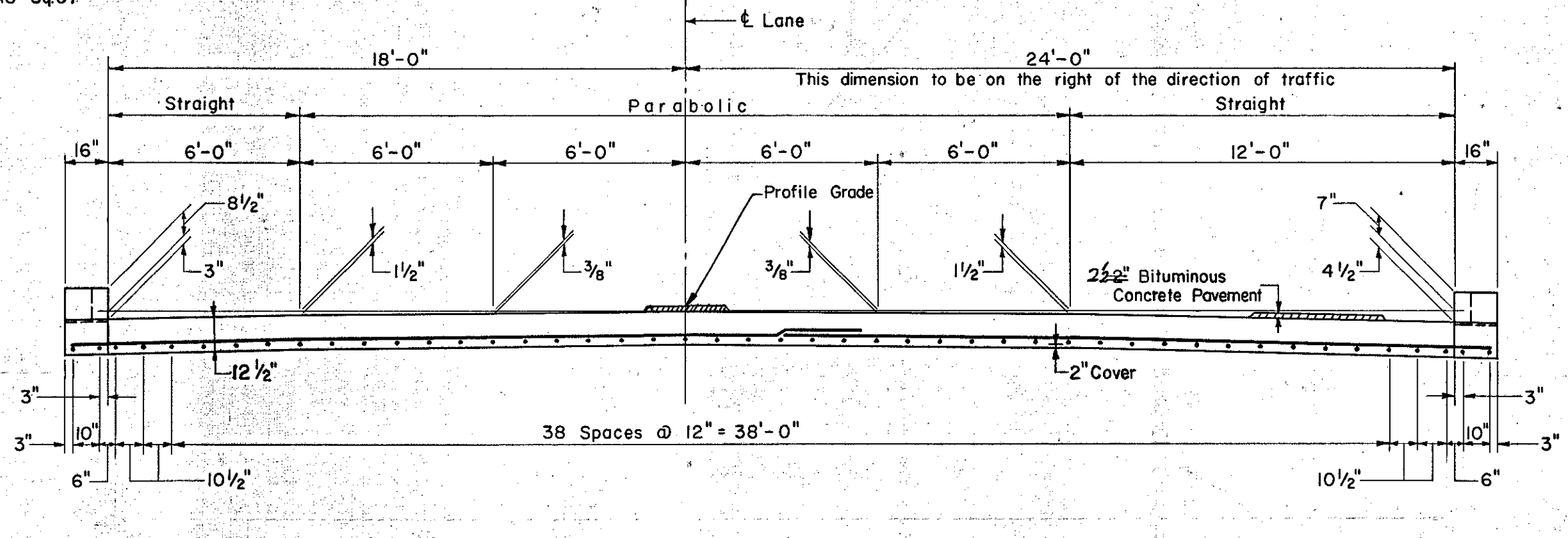
LIMITS OF GRAVEL BACKFILL ABUTMENTS 1, 2 & 4
Scale: 1/4" = 1'-0"



WINGWALL ELEVATION AT ABUTMENT NO. 3
Scale: 1/4" = 1'-0"



WINGWALL REINFORCING AT ABUTMENT NO. 3
Scale: 1/4" = 1'-0"



SECTION C-C
Scale: 1/4" = 1'-0"

ESTIMATED QUANTITIES

ITEM NO.	DESCRIPTION	UNIT	APPROACH SLABS			
			NET	OVER-RUN	TOTAL	FINAL
361-B	Bituminous Concrete Pavement (Left Lane)	Tons	24	3	27	5cc Total
401-B	Concrete Class B (Mod.) (Left Lane)	C. Y.	68	4	72	68
361-B	Bituminous Concrete Pavement (Right Lane)	Tons	24	3	27	5cc Total
401-B	Concrete Class B (Mod.) (Right Lane)	C. Y.	68	4	72	68
402	Reinforcing Steel	Lbs.	See Reinforcing Schedule Sh. No. 8			
556-C	Granite Bridge Curb (Type 1)	L.F.	See Sheet No. 3			

IM 089-2(26) Note: All cover to be 2" unless otherwise noted.

This sheet for information only
BR 49 N & S

CONTRACT NO. 1

APPROACH SLABS
STATE OF VERMONT
DEPARTMENT OF HIGHWAYS

INTERSTATE PROJECT in the town of
WATERBURY
INTERSTATE STA. 872+50
OVER
WATERBURY DAM RD. (REL.) STA. 1+70

THE CLARKESON ENGINEERING CO., INC.
CONSULTING ENGINEERS
BOSTON MASSACHUSETTS
SURVEYED BY: _____ CHECKED BY: G.B. & D.S. SCALE: AS NOTED
DRAWN BY: A.L. IN CHARGE: J.V.B. DATE: 6-19-58
PROJECT NO. I-89-2 (7) SHEET 242 OF 307