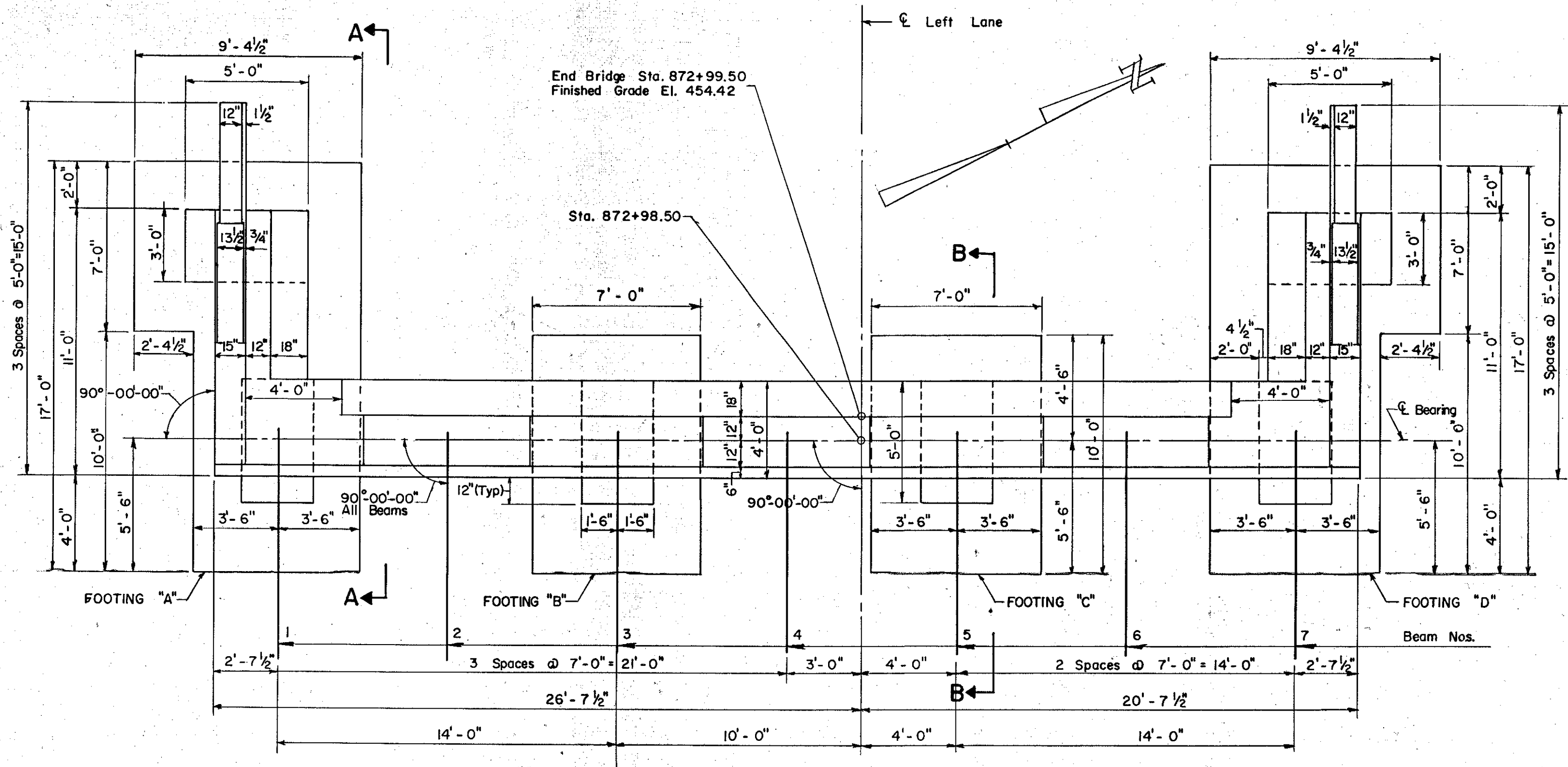
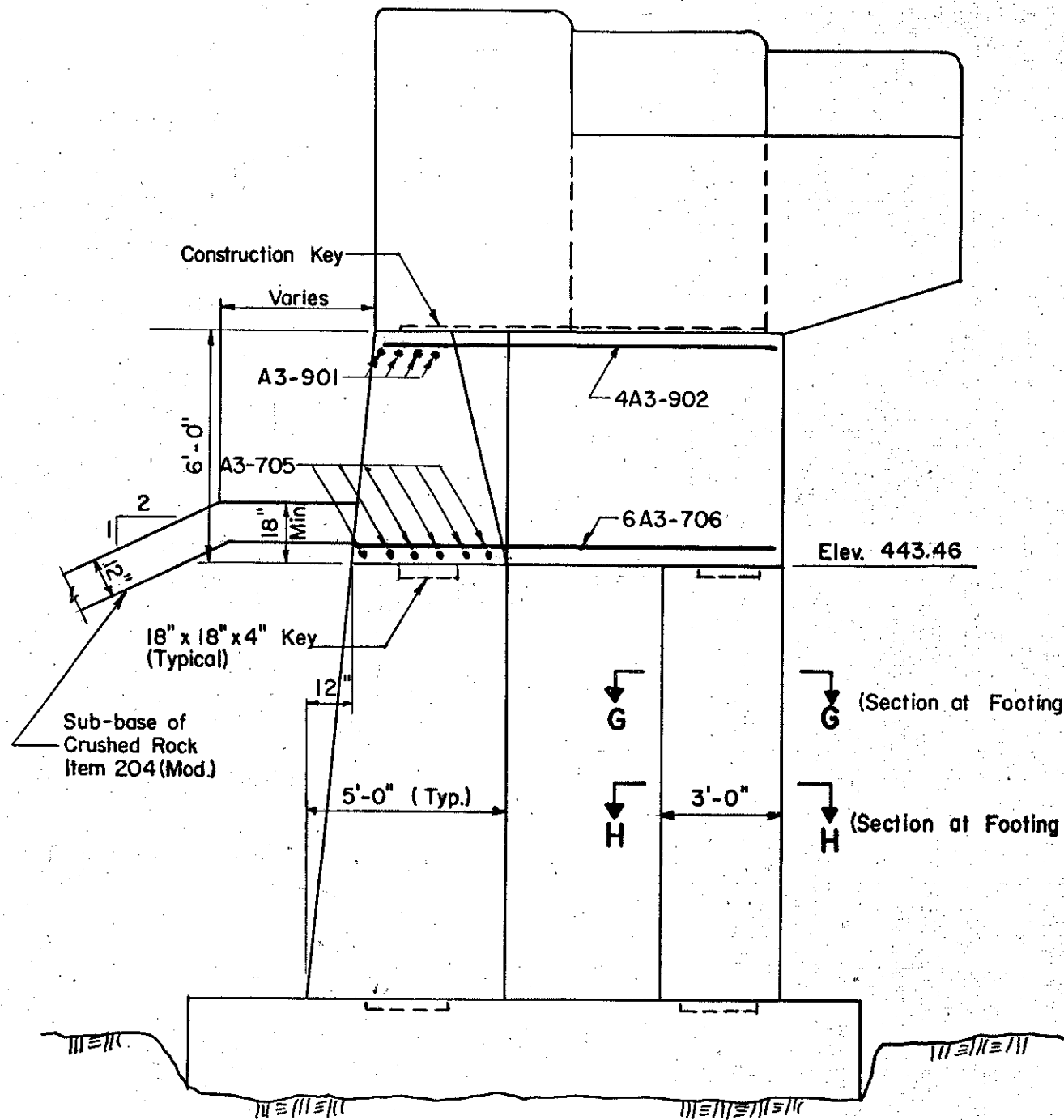


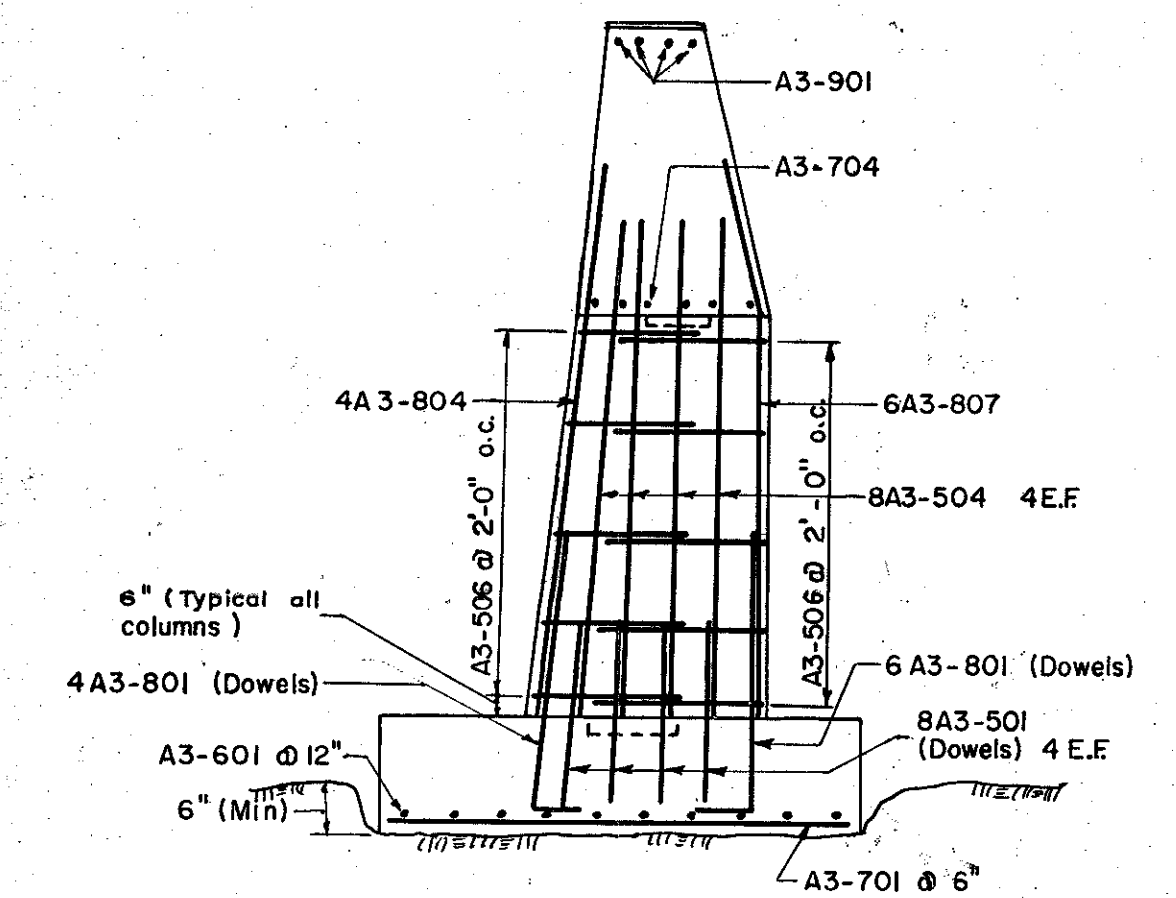
B.P.R. DIV. NO.	STATE	PROJECT NO.	SHEET NO.	TOTAL SHEETS
I	VT.	I-89-2(7)	105	220



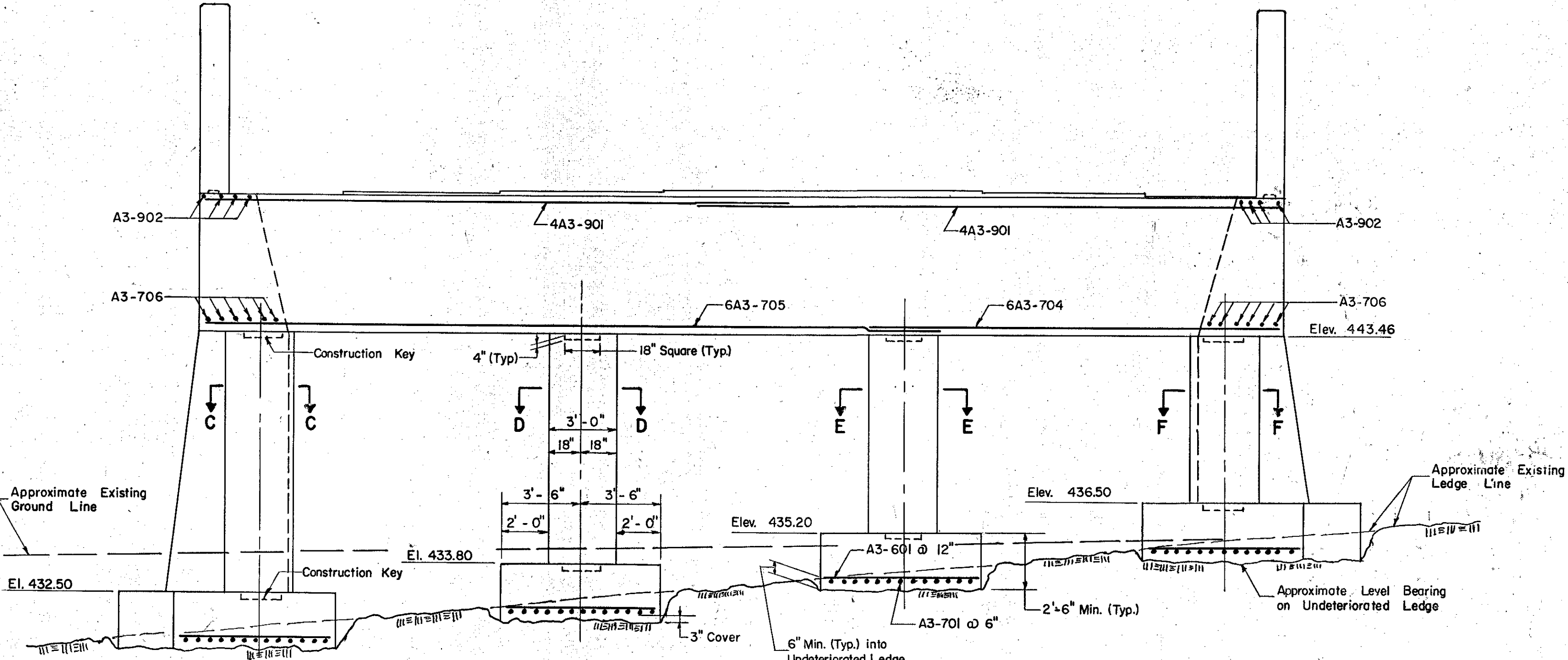
PLAN ABUTMENT NO. 3  
Scale: 1/4" = 1'-0"



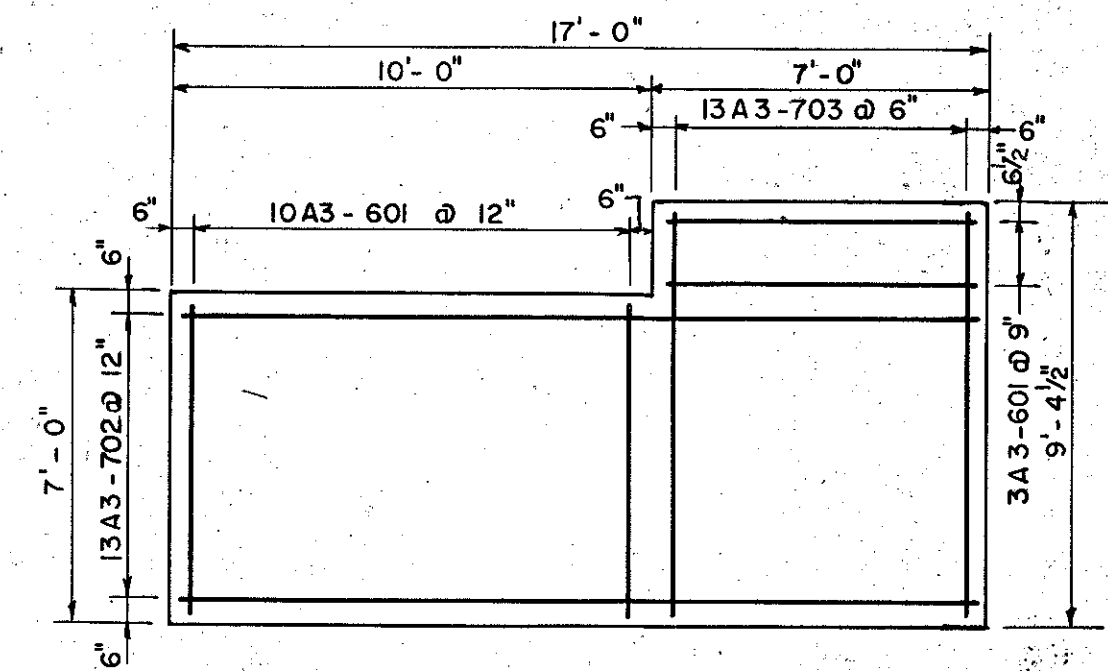
SECTION A-A  
Scale: 1/4" = 1'-0"



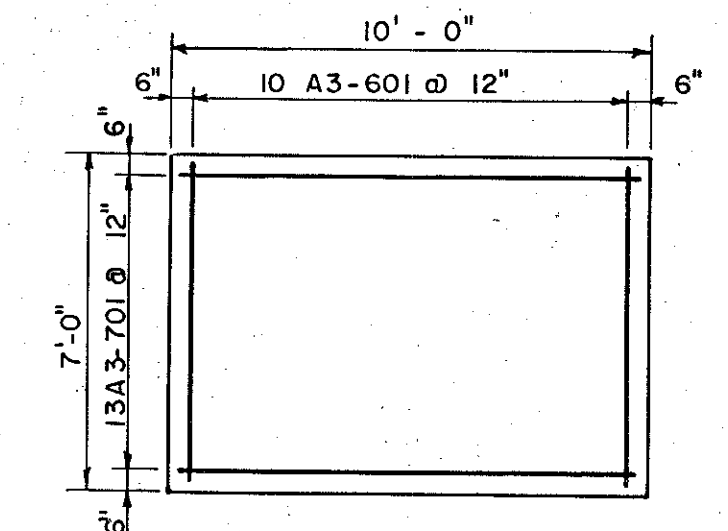
SECTION B-B  
Scale: 1/4" = 1'-0"



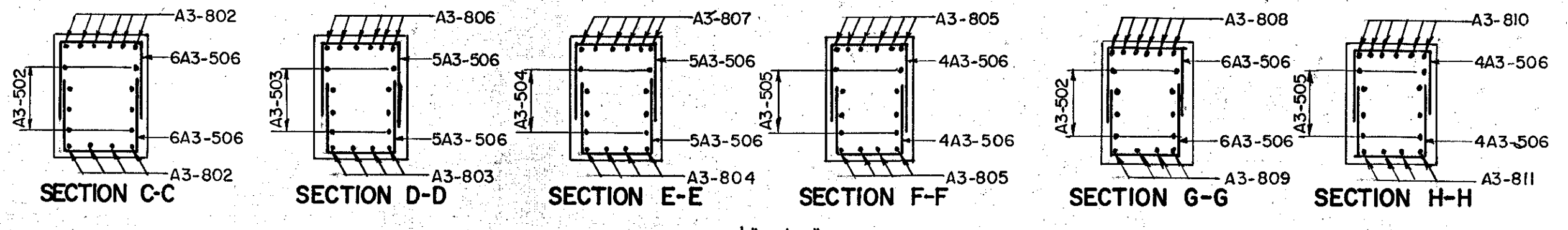
ELEVATION ABUTMENT NO. 3  
Scale: 1/4" = 1'-0"



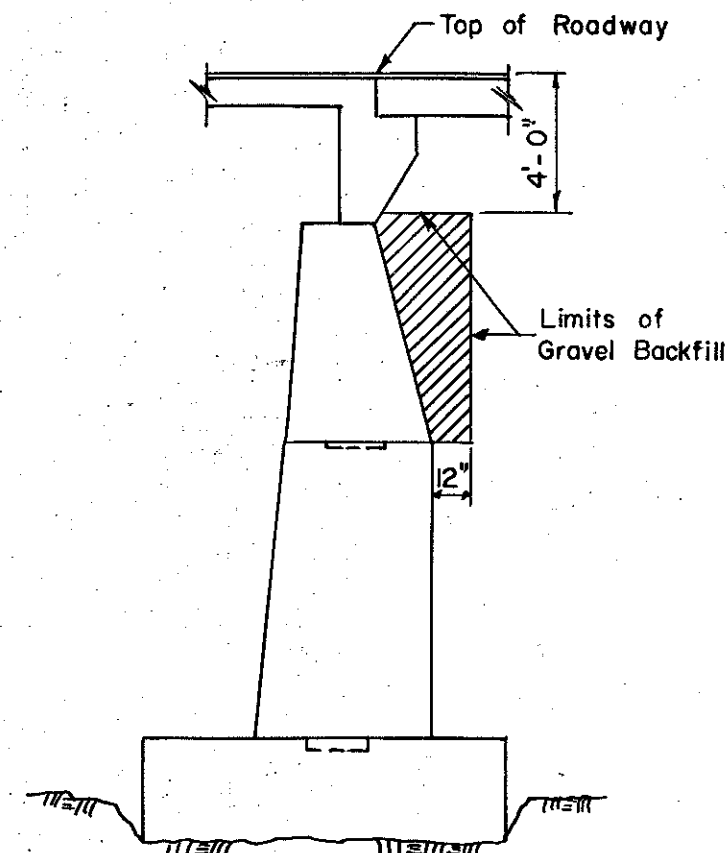
REINFORCING PLAN - FOOTINGS "A" & "D"  
Scale: 1/4" = 1'-0"



REINFORCING PLAN - FOOTINGS "B" & "C"  
Scale: 1/4" = 1'-0"



Scale: 1/4" = 1'-0"



LIMITS OF GRAVEL BACKFILL AT ABUTMENT NO. 3  
Not to Scale

- Notes:
1. For Masonry Shelf Elevations see Sheet No. 4.
  2. For Estimated Quantities see Sheet No. 4.
  3. For Wingwall Reinforcing and Details see Sheet No. 6.
  4. Reinforcing Cover to be 2" except as noted.
  5. See Notes 1, 6 & 7, Sheet No. 4.

IM 089-2(26)  
This sheet for information only  
**BR 49 N & S**

CONTRACT NO. 1

**ABUTMENT NO. 3**  
STATE OF VERMONT  
DEPARTMENT OF HIGHWAYS

INTERSTATE PROJECT in the town of  
**WATERBURY**  
INTERSTATE OVER STA. 872+50  
**WATERBURY DAM RD. (REL.)** STA. 1+70

THE CLARKESON ENGINEERING CO., INC.  
CONSULTING ENGINEERS  
BOSTON MASSACHUSETTS

SURVEYED BY: REM. IN CHARGE: J.V.B. CHECKED BY: G.B. DATE: 6-19-58  
DRAWN BY: J.M.B. SCALE: AS NOTED

PROJECT NO. I-89-2(7) SHEET 241 OF 307