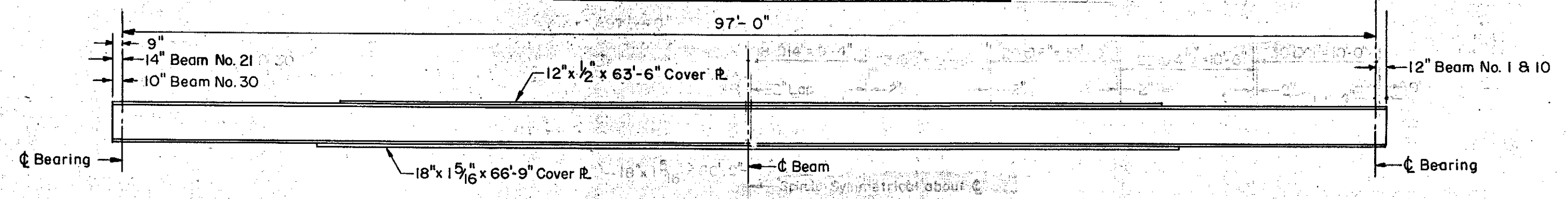


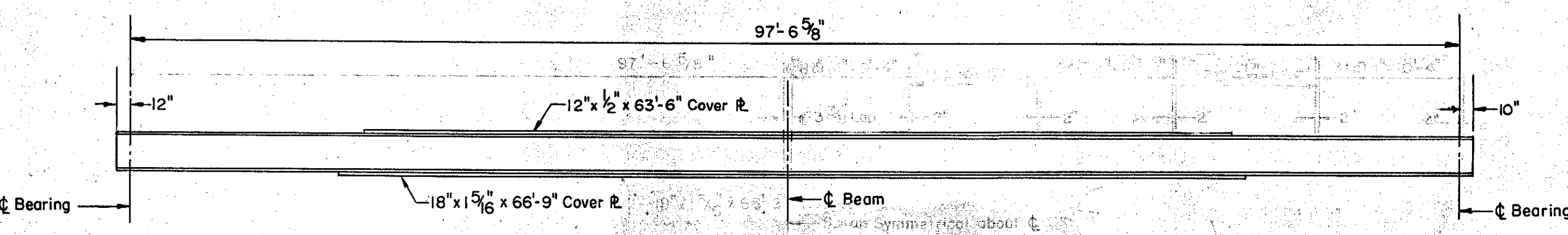
B.P.R. DIV. NO.	STATE	PROJECT NO.	SHEET NO.	TOTAL SHEETS
1	VT.	I-89-2(7)	57	307

SPIRAL SCHEDULE	
SPIRAL PITCH 0' - 10' FROM BRNG.	DOUBLE @ 5 1/2"
" " 10' - 20' OR @ SPAN	DOUBLE @ 6 1/2"
" " 20' - 30' OR @ SPAN	4 1/2"
" " 30' - 40' OR @ SPAN	5 1/2"
" " 40' @ SPAN	7"

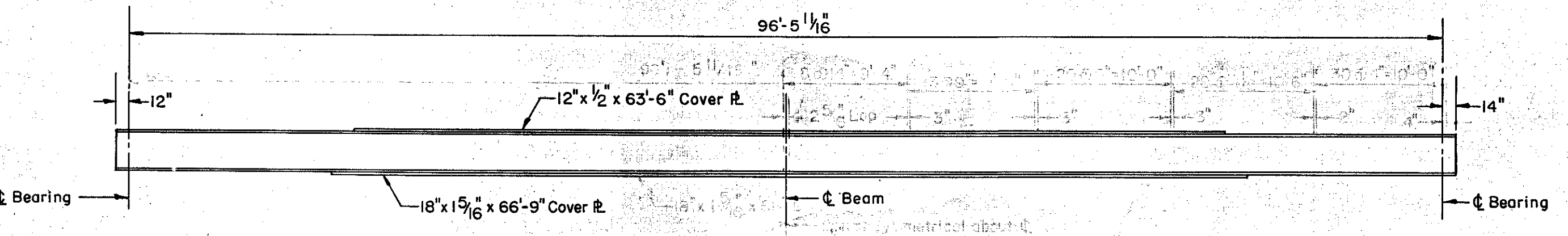
NOTE: WHERE A DOUBLE SPIRAL IS CALLED FOR IN THE SCHEDULE (4) FOUR 6 1/2" LONG STUDS ARE REQUIRED PER PITCH.



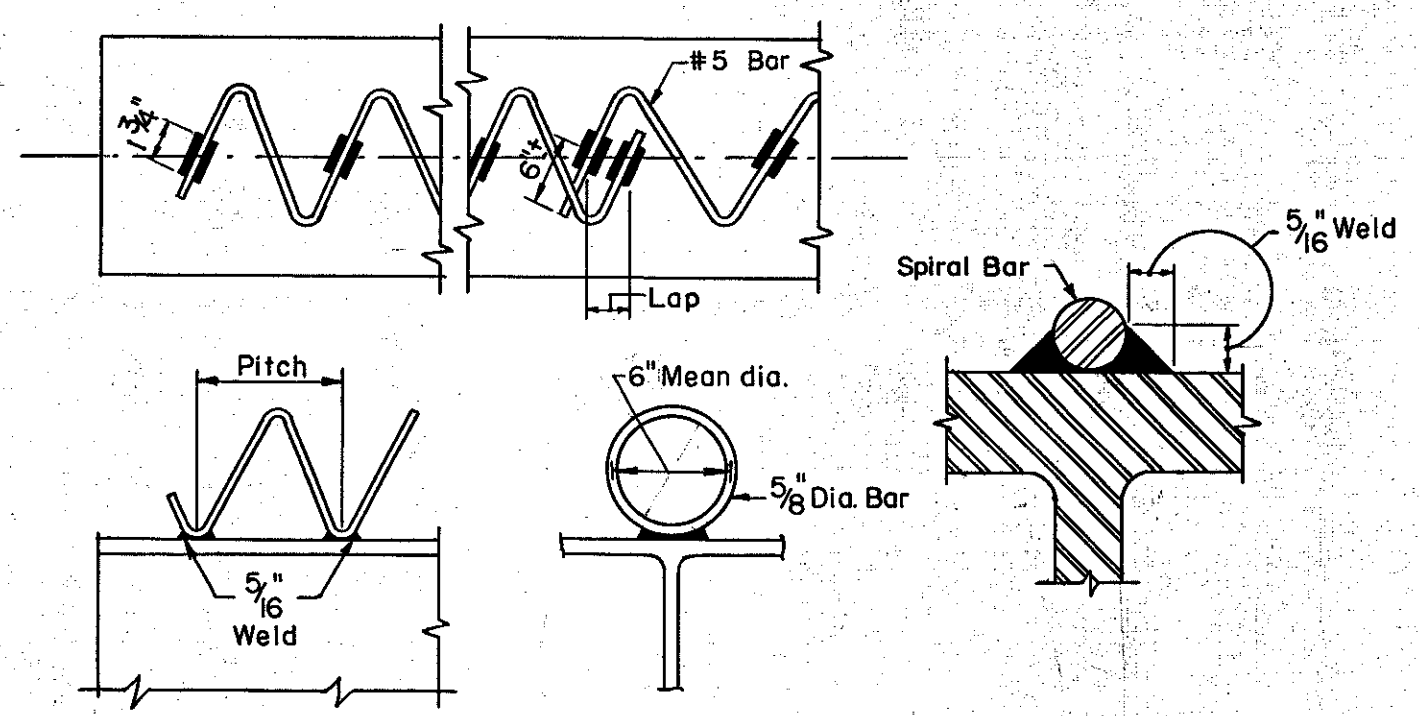
ELEVATION BEAMS 1 THRU 10, 12 THRU 19, & 21 THRU 30
No Scale



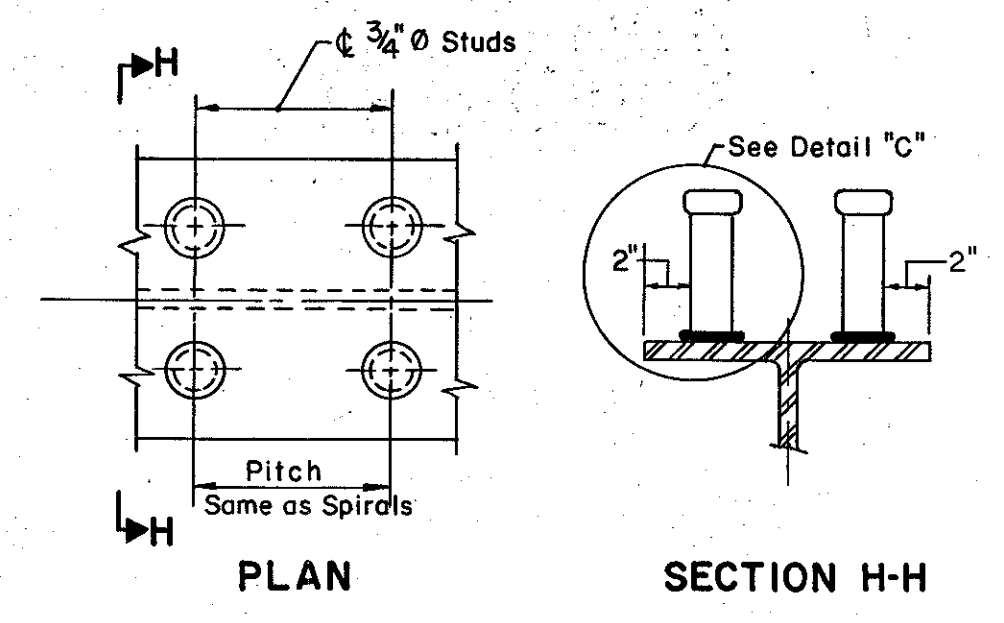
ELEVATION BEAM NO. 11
No Scale



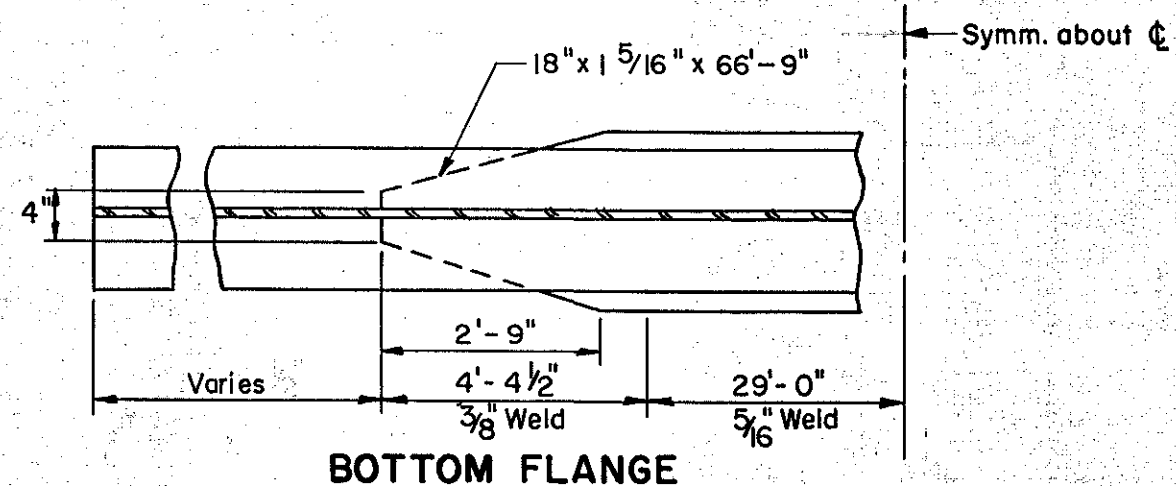
ELEVATION BEAM NO. 20
No Scale



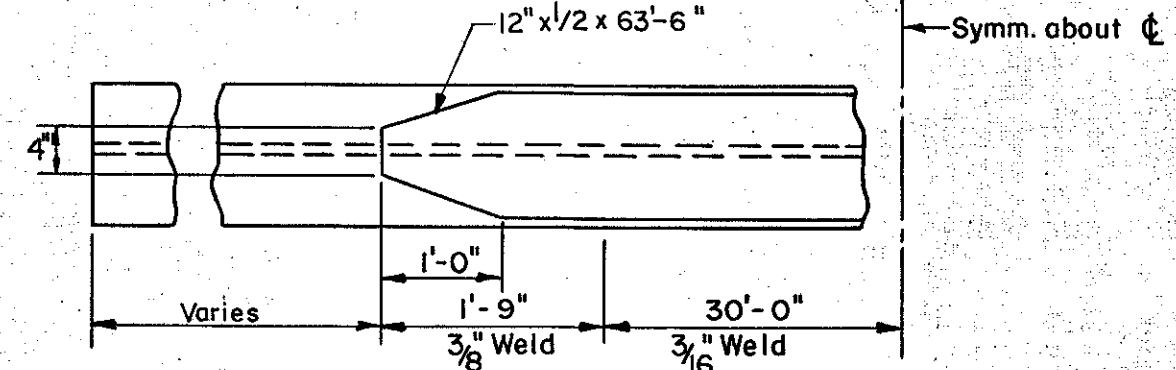
SPIRAL WELDING DETAILS
No Scale



PLAN SECTION H-H

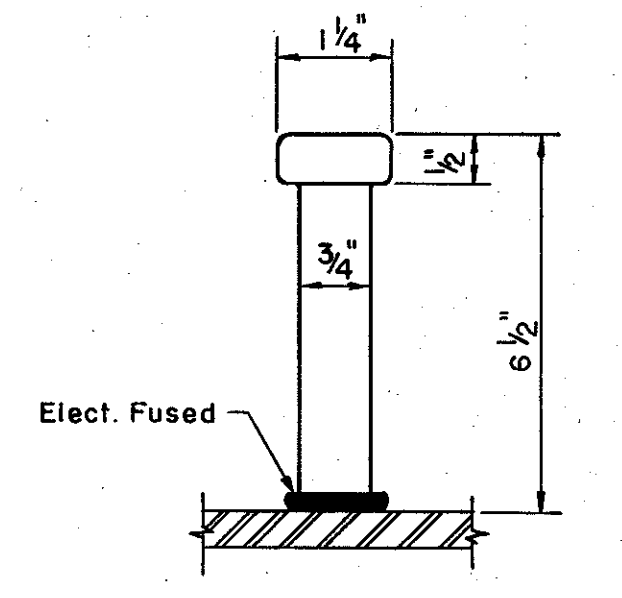


BOTTOM FLANGE

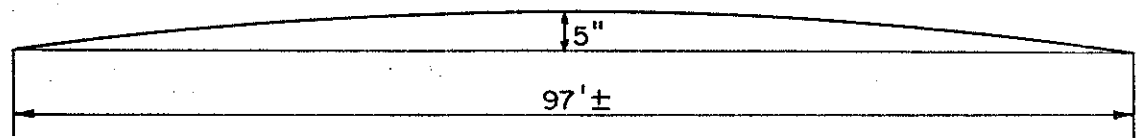


TOP FLANGE

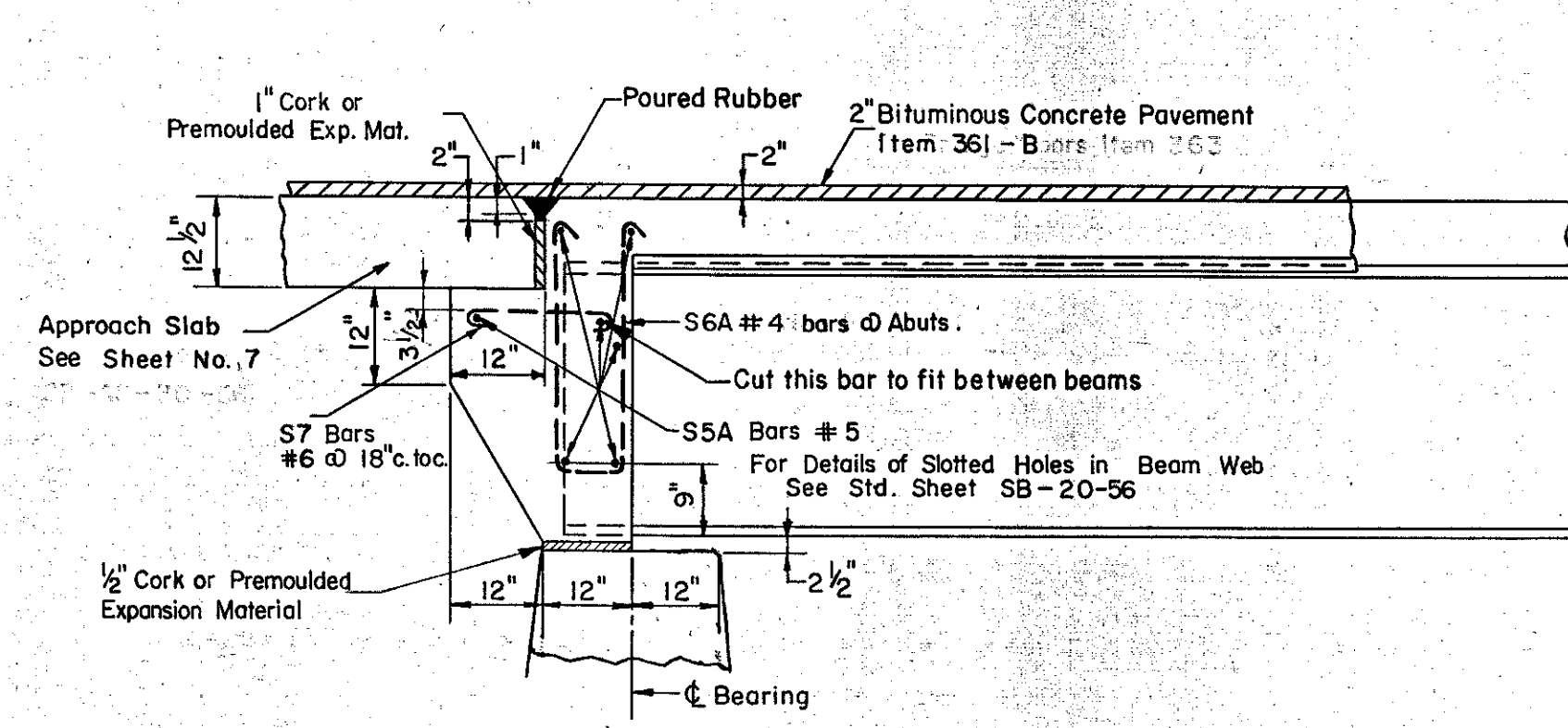
DETAILS OF COVER PLATES
No Scale



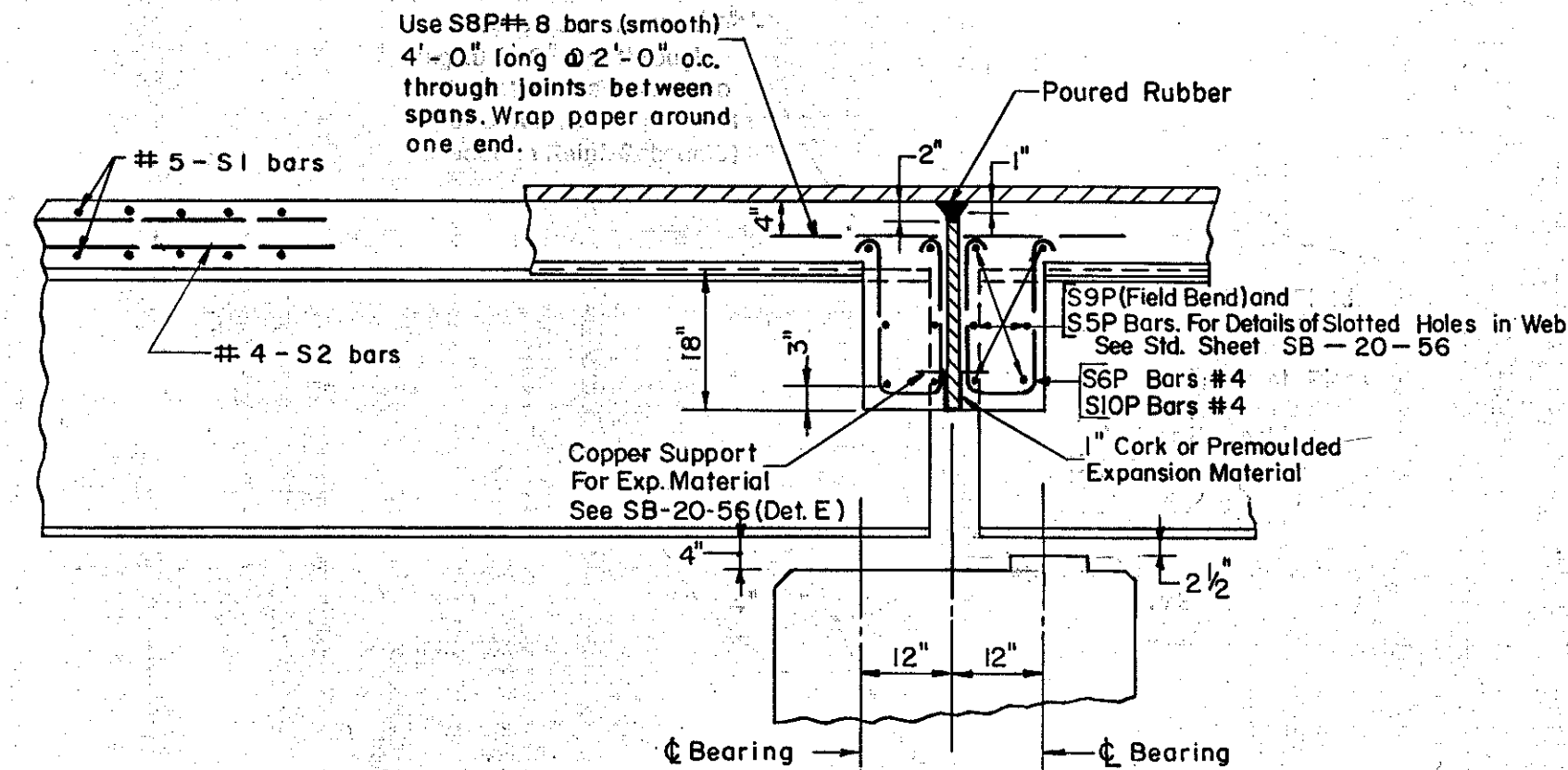
DETAIL "C"
ALTERNATE SHEAR CONNECTOR
No Scale



CAMBER DIAGRAM (ALL BEAMS)
No Scale



ELEVATION AT ABUTMENTS



ELEVATION AT PIERS

TYPICAL ELEVATIONS OF BEAMS (SQUARE)

Scale: 1/2" = 1'-0"

ESTIMATED QUANTITIES

ITEM NO.	DESCRIPTION	UNIT	ESTIMATED QUANTITIES		
			NET	OVER-RUN	TOTAL
361-B	Bituminous Concrete Pavement	Tons	224	34	258
401-B	Concrete Class B (Mod.)	C.Y.	630	32	662
402	Reinforcing Steel	L.S.	1	1	1
403-a	Spiral Reinforcement (15,300 LBS)	L.S.	1	1	1
404-A	Structural Steel	Lbs.	136,500	22,730	159,230

IM 089-2(26)
This sheet for information only
BR 48 N & S

CONTRACT NO. 1

STRUCTURAL DETAILS

STATE OF VERMONT
DEPARTMENT OF HIGHWAYS

INTERSTATE PROJECT in the town of
WATERBURY

INTERSTATE OVER STA. 865 + 24
LITTLE RIVER OVER STA. 5 + 15

THE CLARKESON ENGINEERING CO. INC.
CONSULTING ENGINEERS

BOSTON MASSACHUSETTS
SURVEYED BY H.C. CHECKED BY B.K. & J.B. SCALE AS NOTED
DRAWN BY H.C. IN CHARGE J.V.B. DATE 8-20-57

PROJECT NO. I-89-2(7) SHEET 234 OF 307