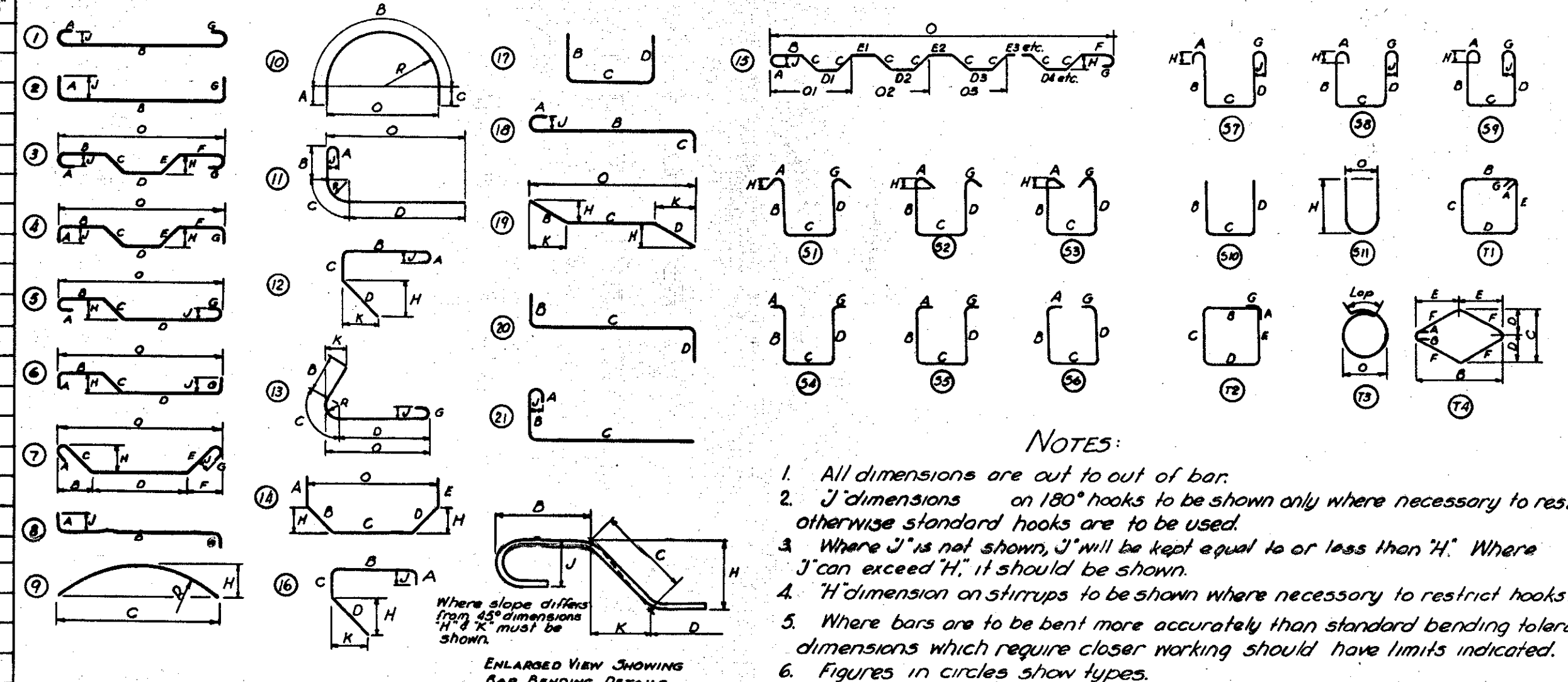


Item	No. Pieces	Size	Length	Mark	Type	A	B	C	D	E	F	G	H	J	K	R	O
1	15	#5	4'-2"	A1-501	STR.												
2	3		5'-6"	A1-502													
3	3		7'-0"	A1-503													
4	3		13'-3"	A1-504													
5	4		12'-9"	A1-505													
6	6		8'-8"	A1-506													
7	2		7'-3"	A1-507													
8	2		5'-10"	A1-508													
9	5		9'-8"	A1-509													
10	2		10'-7"	A1-510													
11	2		12'-4"	A1-511													
12	2		13'-11"	A1-512													
13	8		14'-2"	A1-513	STR.												
14	8		9'-8"	A1-514	17	2'-9"	7'-0"										
15	4		10'-0"	A1-515	17	2'-8"	4'-8"	2'-8"									
16	3		14'-5"	A1-516	STR.												
17	4	#5	13'-11"	A1-517	STR.												
18	10	#6	8'-0"	A1-601	17	3'-0"	5'-0"										
19	12		22'-0"	A1-602	STR.												
20	47		11'-6"	A1-603	STR.												
21	13	#6	7'-1"	A1-604	STR.												
22	6	#7	21'-3"	A1-701	I	0'-10"	20'-5"						0'-7"				
23	8		9'-8"	A1-702	STR.												
24	2		10'-10"	A1-703													
25	1		11'-11"	A1-704													
26	1		13'-0"	A1-705													
27	2		13'-11"	A1-706													
28	10	#7	14'-2"	A1-707	STR.												
29	20	#9	7'-9"	A1-901	17	2'-9"	5'-0"										
30	5		13'-3"	A1-902	STR.												
31	5		12'-9"	A1-903													
32	2		9'-3"	A1-904													
33	1		8'-5"	A1-905													
34	1		7'-6"	A1-906													
35	2		6'-7"	A1-907													
36	3		5'-3"	A1-908													
37	5		14'-5"	A1-909													
38	5	#9	13'-11"	A1-910	STR.												
39																	
40																	
41																	
42	14	#5	4'-2"	A2-501	STR.												
43	3		6'-6"	A2-502													
44	3		8'-0"	A2-503													
45	4		13'-0"	A2-504													
46	3		12'-6"	A2-505													
47	2		10'-0"	A2-506													
48	6		8'-8"	A2-507													
49	2		7'-4"	A2-508													
50	2		6'-0"	A2-509													
51	3		10'-8"	A2-510													
52	2		11'-7"	A2-511													
53	2		13'-4"	A2-512													
54	2		15'-0"	A2-513													
55	8		15'-8"	A2-514													
56	4		14'-3"	A2-515													
57	3		13'-9"	A2-516	STR.												
58	8		10'-2"	A2-517	17	2'-8"	7'-6"										
59	4	#5	10'-6"	A2-518	17	2'-8"	5'-2"	2'-8"									
60	10	#6	8'-0"	A2-601	17	3'-0"	5'-0"										
61	12		22'-4"	A2-602	STR.												
62	46		11'-6"	A2-603	STR.												
63	13	#6	7'-1"	A2-604	STR.												
64	6	#7	21'-3"	A2-701	I	0'-10"	20'-5"						0'-7"				
65	5		10'-8"	A2-702	STR.												
66	2		11'-5"	A2-703													
67	1		12'-7"	A2-704													
68	1		13'-8"	A2-705													
69	1		14'-10"	A2-706													
70	2		15'-4"	A2-707													
71	10	#7	15'-8"	A2-708	STR.												
72	22	#9	7'-9"	A2-901	17	2'-9"	5'-0"										
73	5		13'-0"	A2-902	STR.												
74	6		12'-6"	A2-903													
75	2		9'-7"	A2-904													
76	1		8'-8"	A2-905													
77	1		7'-9"	A2-906													
78	1		6'-10"	A2-907													
79	2		5'-11"	A2-908													
80	5		14'-2"	A2-909													
81	6	#9	13'-8"	A2-910	STR.												

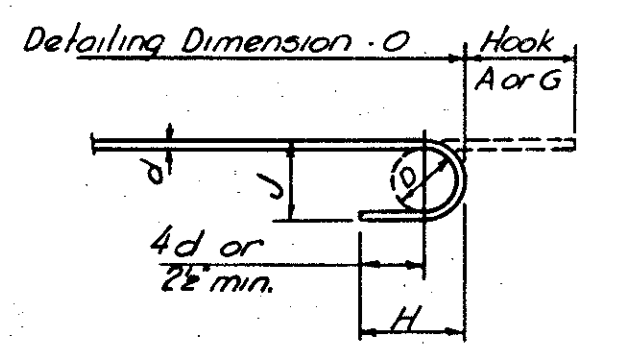
B.P.R.	STATE	PROJECT NO.	SHEET	TOTAL
VT.	VT.	I-89-2(7)	90	SHEETS

TYPICAL BAR BENDS



- NOTES:
- All dimensions are out to out of bar.
 - J dimensions on 180° hooks to be shown only where necessary to restrict hook size otherwise standard hooks are to be used.
 - Where J is not shown, J will be kept equal to or less than H. Where J can exceed H, it should be shown.
 - H dimension on stirrups to be shown where necessary to restrict hooks.
 - Where bars are to be bent more accurately than standard bending tolerances, bending dimensions which require closer working should have limits indicated.
 - Figures in circles show types.
 - No allowance for bend curvature is to be made except for standard hook & radii in excess of same.

Item	No. Pieces	Size	Length	Mark	Type	A	B	C	D	E	F	G	H	J	K	R	O
163	2	#7	16'-2"	A3-704	STR.												
164	1		17'-3"	A3-705													
165	1		18'-3"	A3-706													
166	1		19'-4"	A3-707													
167	2		20'-6"	A3-708													
168	12	#7	20'-8"	A3-709	STR.												
169	28	#9	7'-9"	A3-901	17	2'-9"	5'-0"										
170	7		16'-9"	A3-902	STR.												
171	7		16'-3"	A3-903													
172	2		11'-7"	A3-904													
173	1		10'-7"	A3-905													
174	1		9'-8"	A3-906													
175	1		8'-9"	A3-907													
176	1		7'-10"	A3-908													
177	1		6'-11"	A3-909													
178	2		6'-0"	A3-910													
179	7		15'-7"	A3-911													
180	7	#9	15'-1"	A3-912	STR.												
181																	
182																	
183																	
184																	
185																	
186																	
187																	
188																	
189																	
190																	



STANDARD HOOK DETAIL

BAR SIZES

Equivalent Size	Present (Numbers)
1/4"	#2
3/8"	#3
1/2"	#4
5/8"	#5
3/4"	#6
7/8"	#7
1"	#8
1 1/4"	#9
1 1/2"	#10
1 3/4"	#11

IM 089-2(26)
This sheet for information only
BR 48 N & S

8. Bar reinforcement metal shall conform to the requirements of the Standard Specifications for new Billet-Steel Concrete Reinforcement Bars (Intermediate Grade) Serial Designation A.A.S.H.O. M31-48 or its latest revision.
All bars shall be deformed to conform with A.S.T.M. Specifications A305-A9.
* Denotes one additional bar for testing purposes.

ESTIMATED QUANTITIES

FINAL	Location	Pounds
4,850	Abutment No. 1	=4803-
5,043	Abutment No. 2	=4696-
6,029	Abutment No. 3	=6584-
6,029	Abutment No. 4	=6584-
20,337	Pier "A"	=21150-
20,337	Pier "B"	=21030-
20,337	Pier "C"	=21030-
20,337	Pier "D"	=21030-
104,499	Total	=106,607-

CONTRACT NO. 1

REINFORCING SCHEDULE
STATE OF VERMONT
DEPARTMENT OF HIGHWAYS

INTERSTATE PROJECT in the town of
WATERBURY
INTERSTATE OVER STA. 865+24
LITTLE RIVER OVER STA. 5+15

THE CLARKSON ENGINEERING CO. INC.
CONSULTING ENGINEERS
BOSTON MASSACHUSETTS
SCALE NOTE DATE 8-20-57
SURVEYED BY CHECKED BY J.B.B.K.
DRAWN BY R.E.M. IN CHARGE J.V.B.
PROJECT NO. I-89-2(7) SHEET 234 OF 307