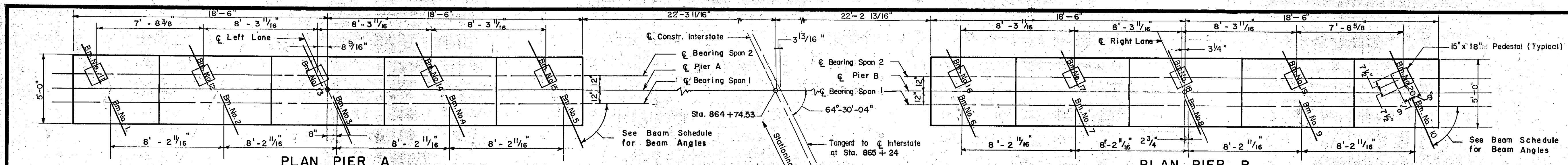


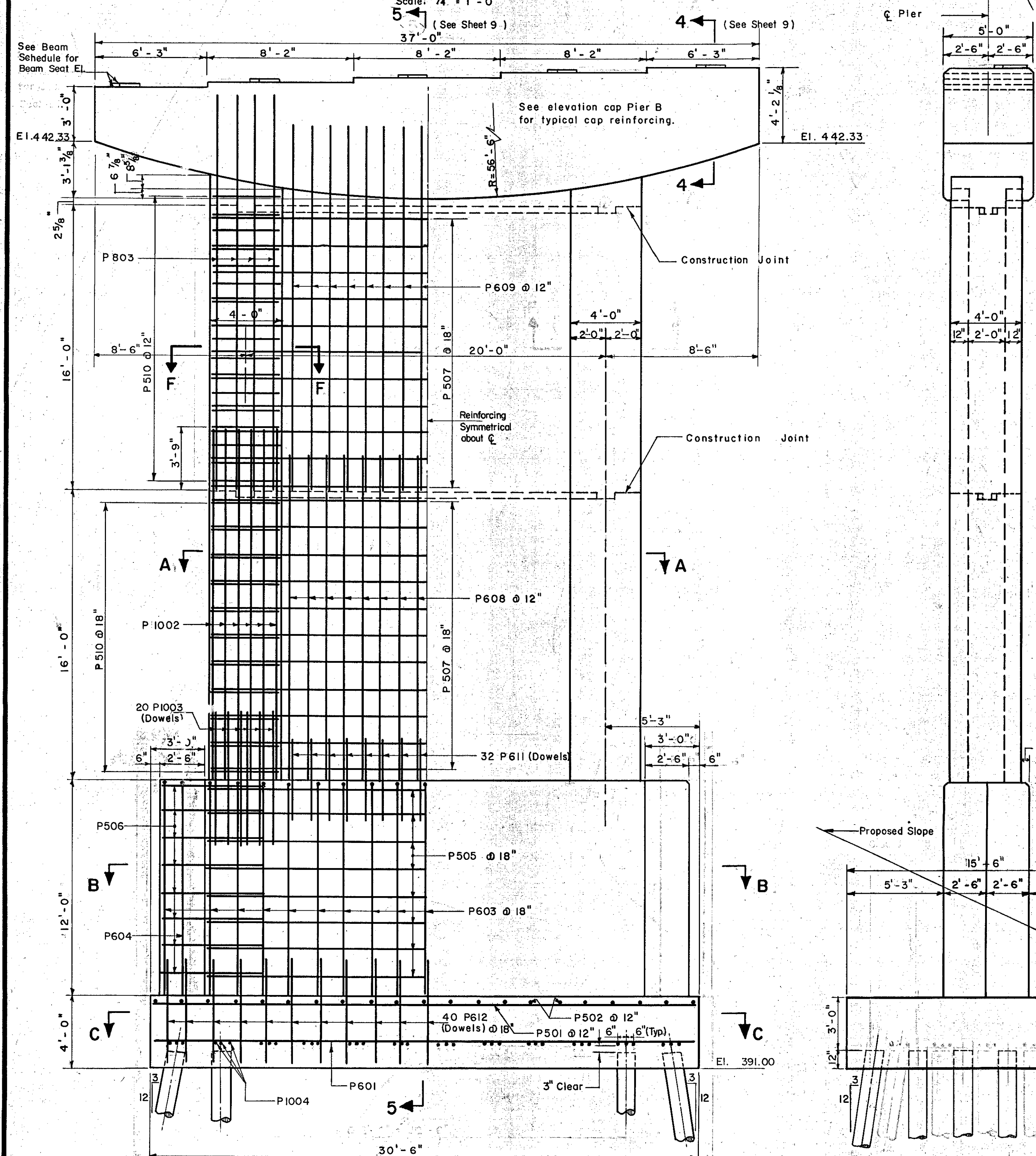
B. R. R. DIV. NO.	STATE	PROJECT NO.	SHEET NO.	TOTAL SHEETS
1	VT.	I-89-2(7)	8	13



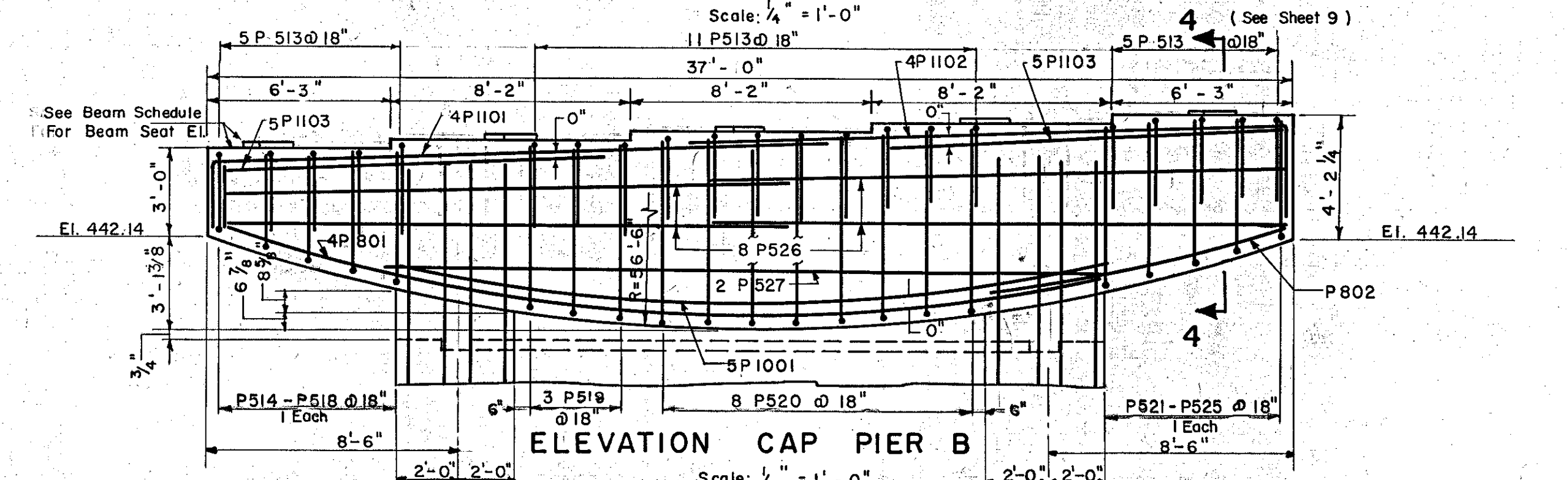
BEAM SCHEDULE

PIER A			
Beam No.	Beam Seat El.	Beam Angle	
1	445.24	65°-50'-04"	
2	445.53	65°-50'-04"	
3	445.82	65°-50'-04"	
4	446.11	65°-50'-04"	
5	446.41	65°-50'-04"	
11	445.38	64°-30'-04"	
12	445.66	64°-30'-04"	
13	445.95	64°-30'-04"	
14	446.24	64°-30'-04"	
15	446.54	64°-30'-04"	

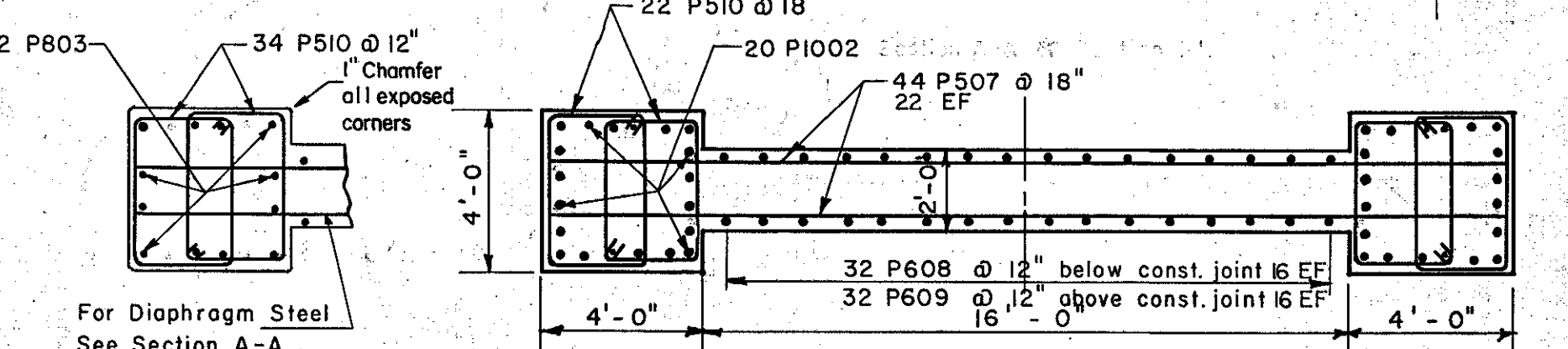
PIER B			
Beam No.	Beam Seat El.	Beam Angle	
6	448.05	65°-50'-04"	
7	445.34	65°-50'-04"	
8	445.64	65°-50'-04"	
9	445.93	65°-50'-04"	
10	446.22	65°-50'-04"	
16	445.18	64°-30'-04"	
17	445.48	64°-30'-04"	
18	445.77	64°-30'-04"	
19	446.06	64°-30'-04"	
20	446.35	65°-10'-03"	



ELEVATION PIER A
Scale: 1/4" = 1'-0"



ELEVATION CAP PIER B
Scale: 1/4" = 1'-0"

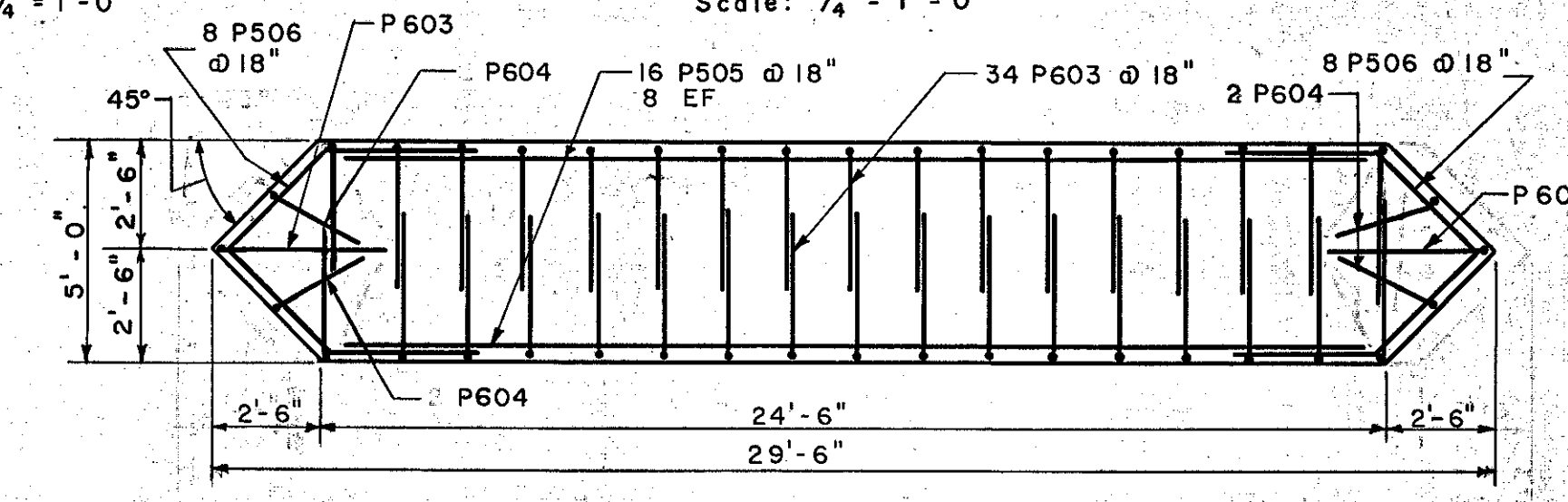


SECTION F-F
Scale: 1/4" = 1'-0"

SECTION A-A
Scale: 1/4" = 1'-0"

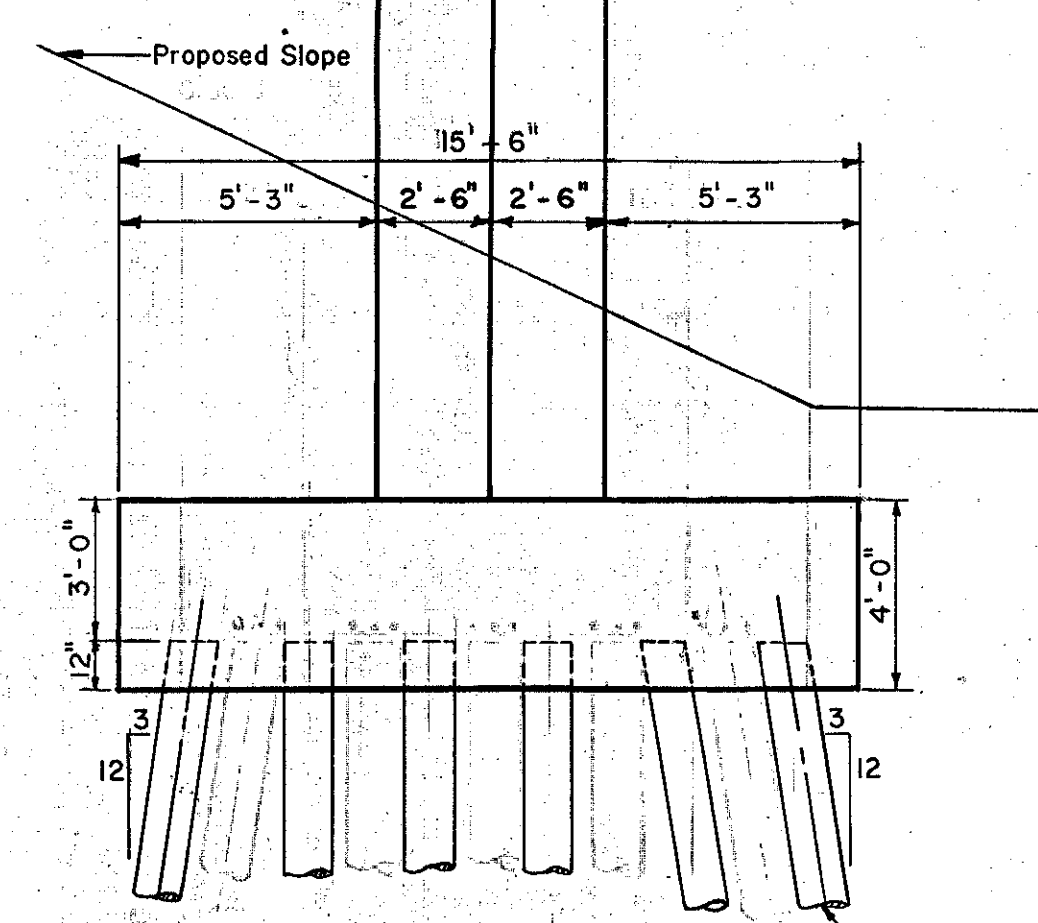
SECTION 6-6
Scale: 1/4" = 1'-0"

SECTION 1-1
Scale: 1/4" = 1'-0"

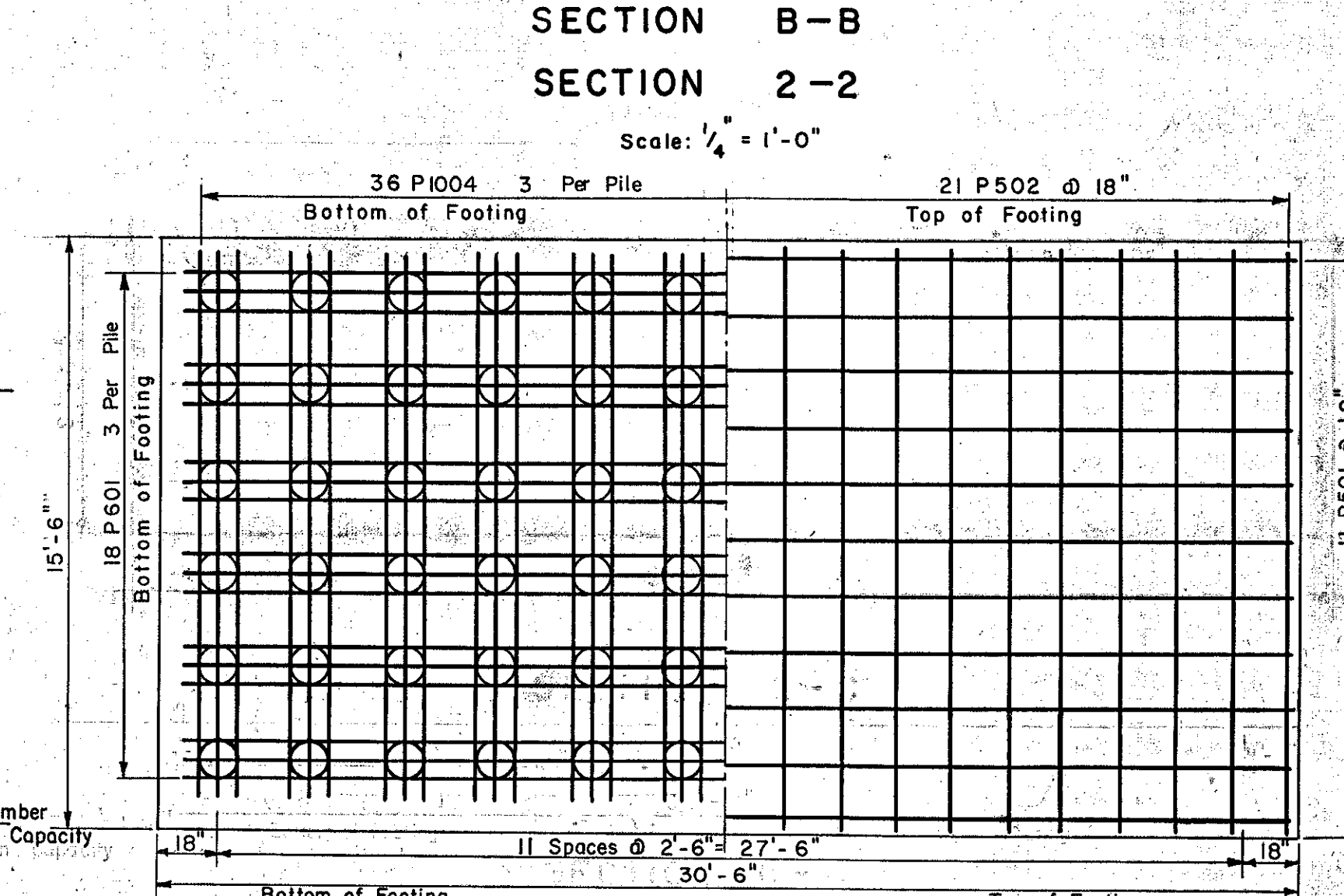


SECTION B-B
Scale: 1/4" = 1'-0"

SECTION 2-2
Scale: 1/4" = 1'-0"



ELEVATION PIER A
Scale: 1/4" = 1'-0"



SECTION C-C
Scale: 1/4" = 1'-0"

SECTION 3-3
Scale: 1/4" = 1'-0"

ESTIMATED QUANTITIES						
ITEM NO.	DESCRIPTION	UNIT	PIER A			
			NET	OVER-RUN	TOTAL	FINAL
107	Structure Excavation	CY	+34	+3	+47	63
401-B	Concrete Class B (Mod.)	CY	247	+2	+259	247
402	Reinforcing Steel	LBS	See Reinforcing Steel Schedule			
407	Asphaltic - Asbestos Coating	SY	+21	-	+21	20
502-A	Untreated Timber Piling	LF	+2520	-	+2520	2219

ITEM NO.	DESCRIPTION	UNIT	PIER B			
			NET	OVER-RUN	TOTAL	FINAL
107	Structure Excavation	CY	+34	+3	+47	65
401-B	Concrete Class B (Mod.)	CY	+247	+2	+259	246
402	Reinforcing Steel	LBS	See Reinforcing Steel Schedule			
407	Asphaltic - Asbestos Coating	SY	20	-	20	20
502-A	Untreated Timber Piling	LF	+2520	-	+2520	2328

Note: See Sheet No. 9 for Pier Plan B Numbered sections
All reinforcing cover to be 2" except as otherwise noted.

IM 089-2(26)
This sheet for information only
BR 48 N & S

CONTRACT NO. 1

PIERS A AND B
STATE OF VERMONT
DEPARTMENT OF HIGHWAYS
INTERSTATE PROJECT in the town of
WATERBURY
INTERSTATE OVER STA. 865+24
LITTLE RIVER OVER STA. 5+15
THE CLARKSON ENGINEERING CO. INC.
CONSULTING ENGINEERS
BOSTON MASSACHUSETTS
SURVEYED BY: [] CHECKED BY: [] SCALE: AS NOTED
DRAWN BY: [] IN CHARGE: [] DATE: 8-20-57
PROJECT NO. I-89-2(7) SHEET 231 OF 307