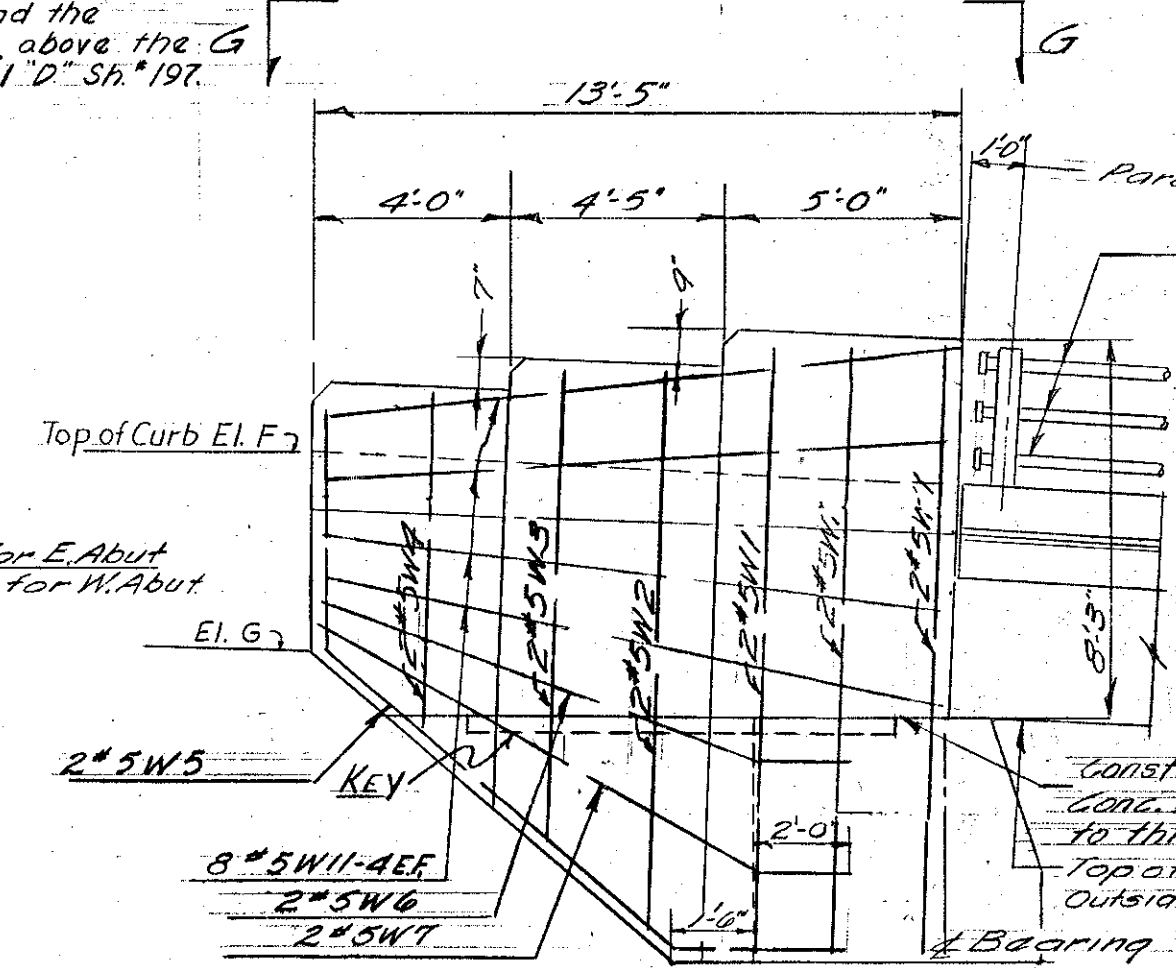
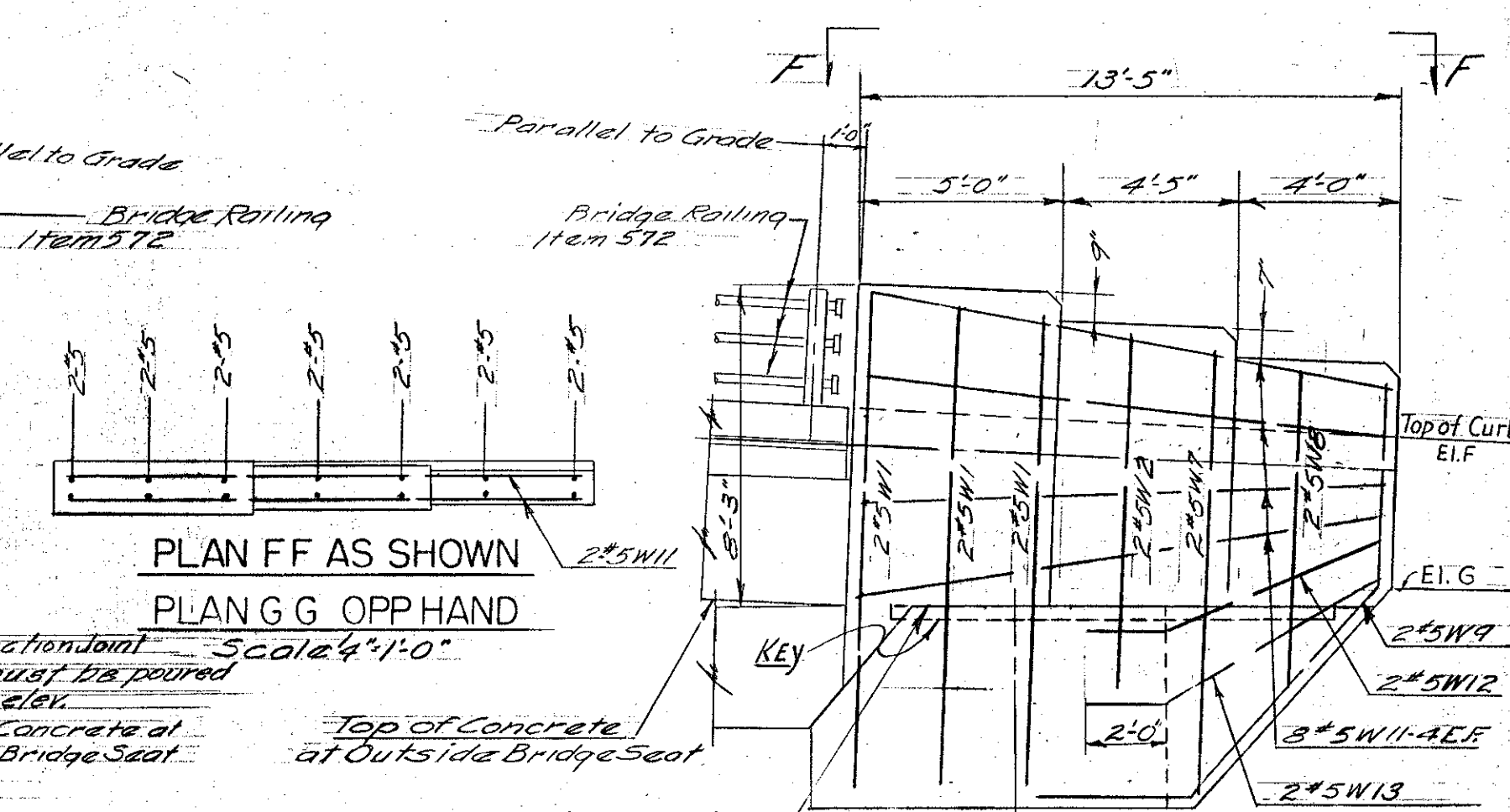


Eastbound	A	B	C	D
East Abut	3'11 1/2"	3'5 1/4"	3'6 1/2"	3'5 1/2"
West Abut	3'4 1/2"	3'4 3/8"	3'6 1/2"	3'7 3/8"

The inside face of the pylon shall be straight for the full length of the pylon up to the top of the curb on the approach slab and the setbacks shall be made above the G curb. Typical. See Detail 'D' Sh#197.

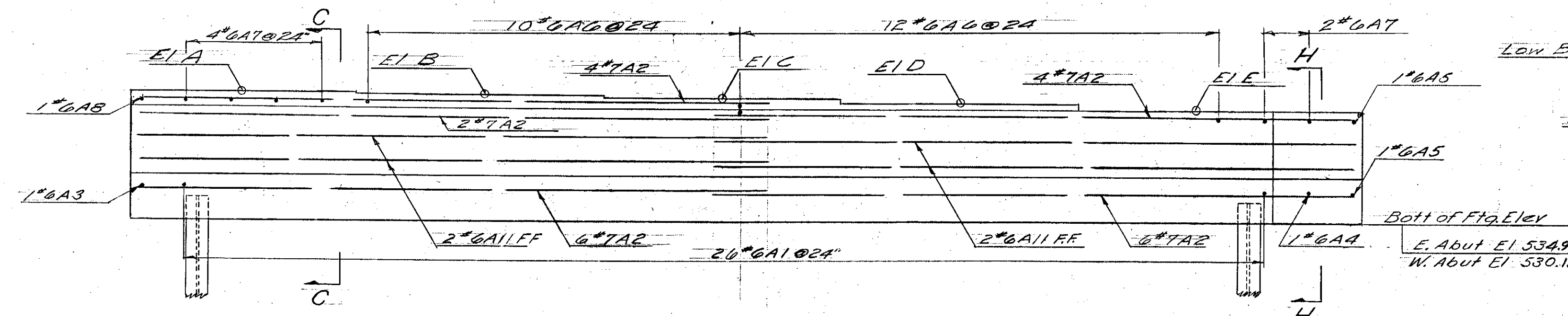


ELEVATION D-D TYPICAL EAST ABUTMENT Scale 1/4"=1'-0"

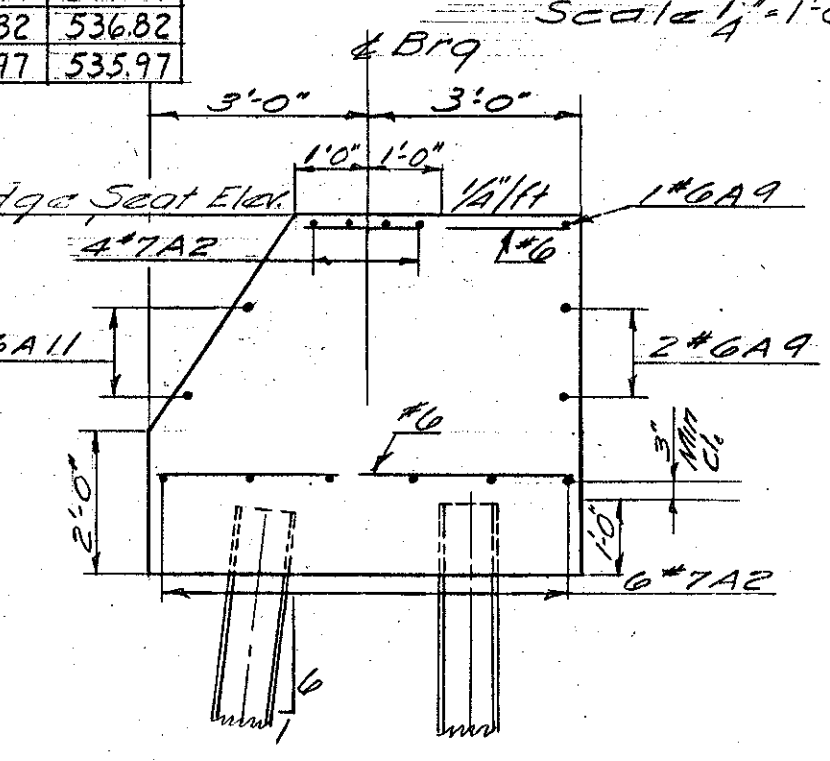


ELEVATION E-E TYPICAL WEST ABUTMENT Scale 1/4"=1'-0"

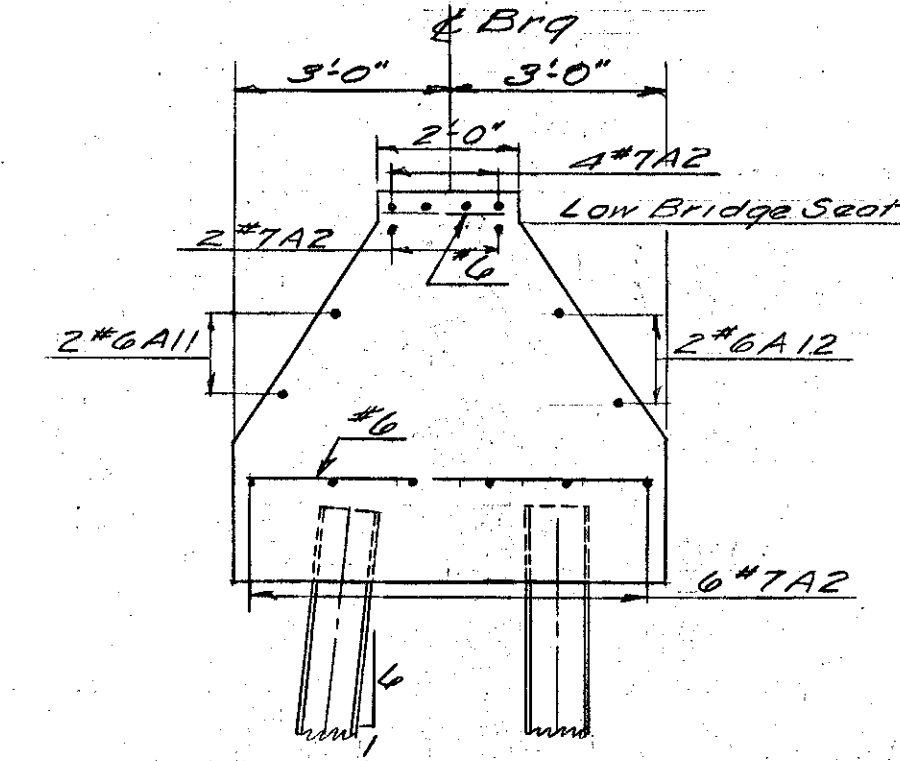
ELEVATIONS		F	G
East Abut.	Southside	546.00	542.00
	Northside	545.44	541.44
West Abut.	Southside	540.82	536.82
	Northside	539.97	535.97



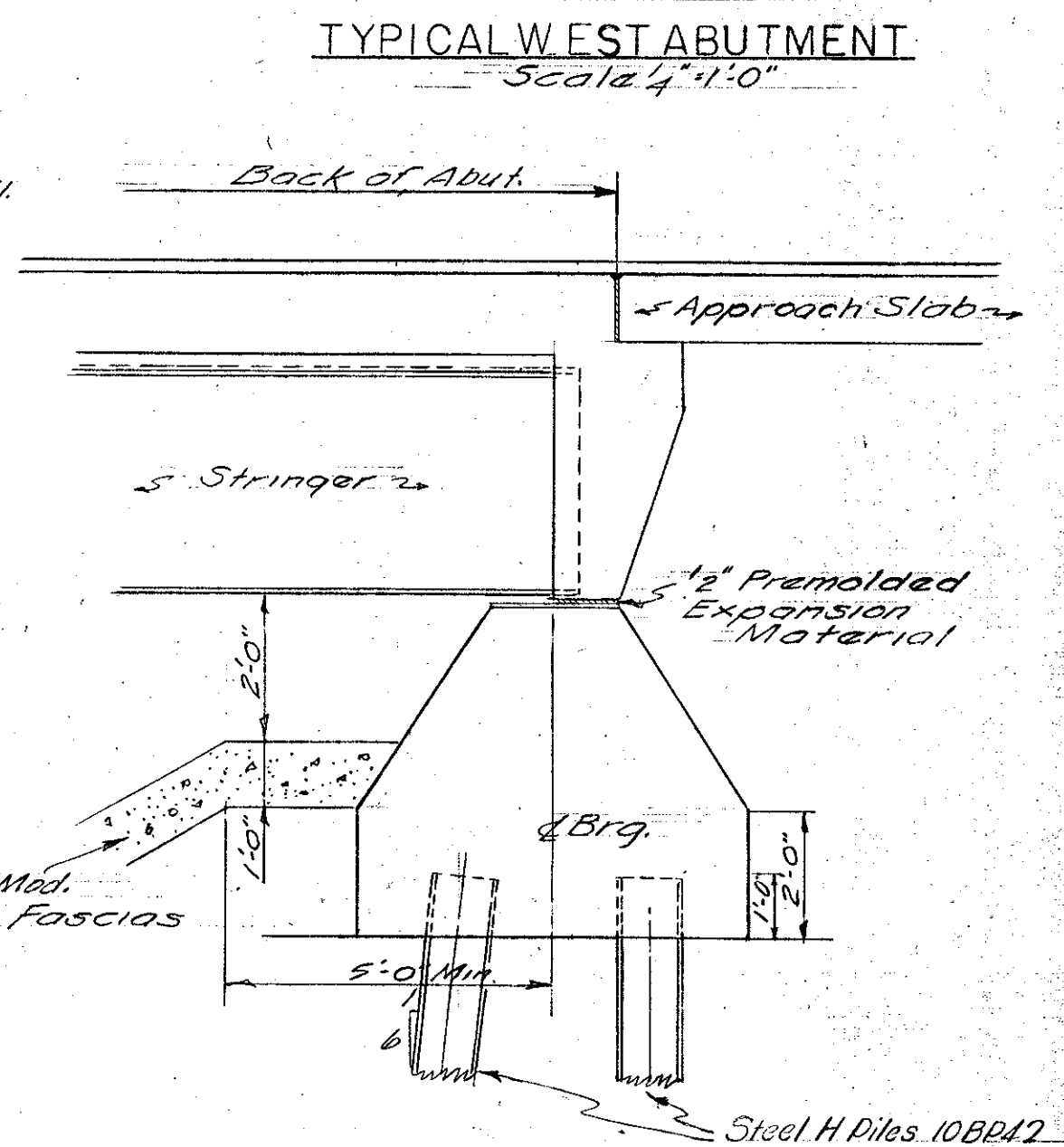
ELEVATION AA WEST ABUT - AS SHOWN EAST ABUT - OPP HAND Scale 1/4"=1'-0"



SECTION H-H Scale 3/8"=1'-0"

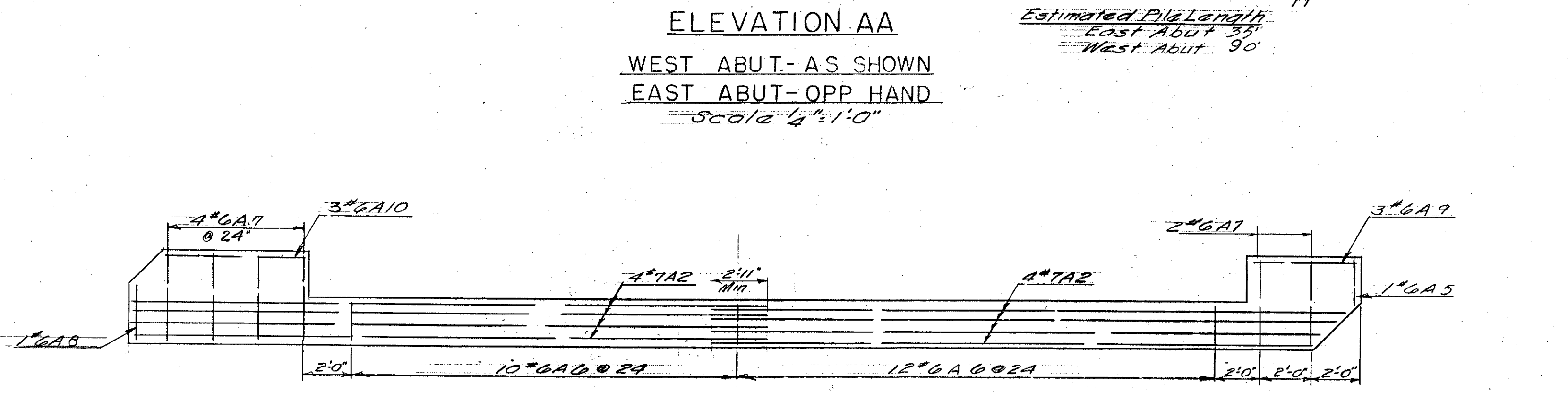


SECTION C-C Scale 3/8"=1'-0"

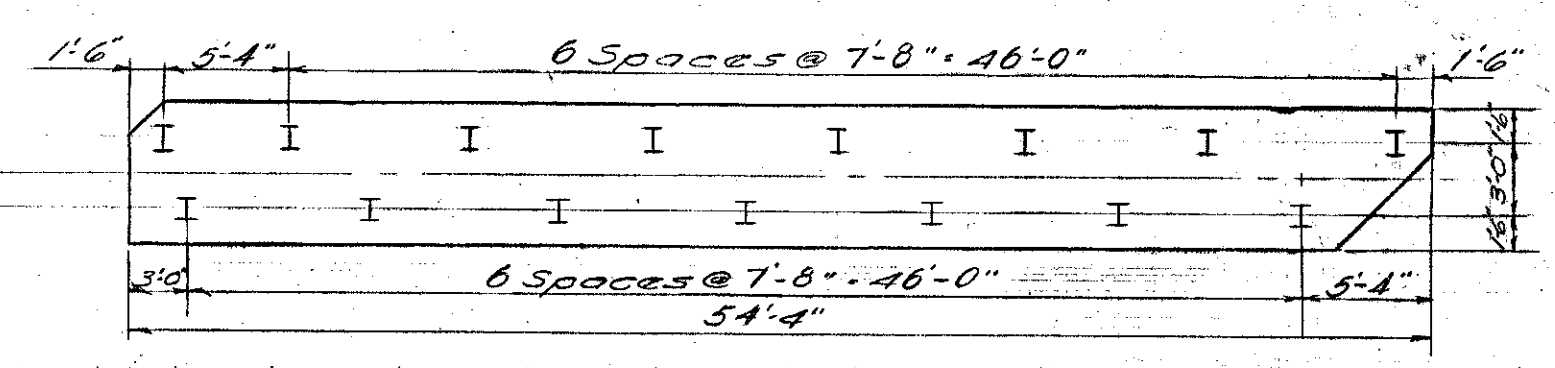


SECTION BB Scale 3/8"=1'-0"

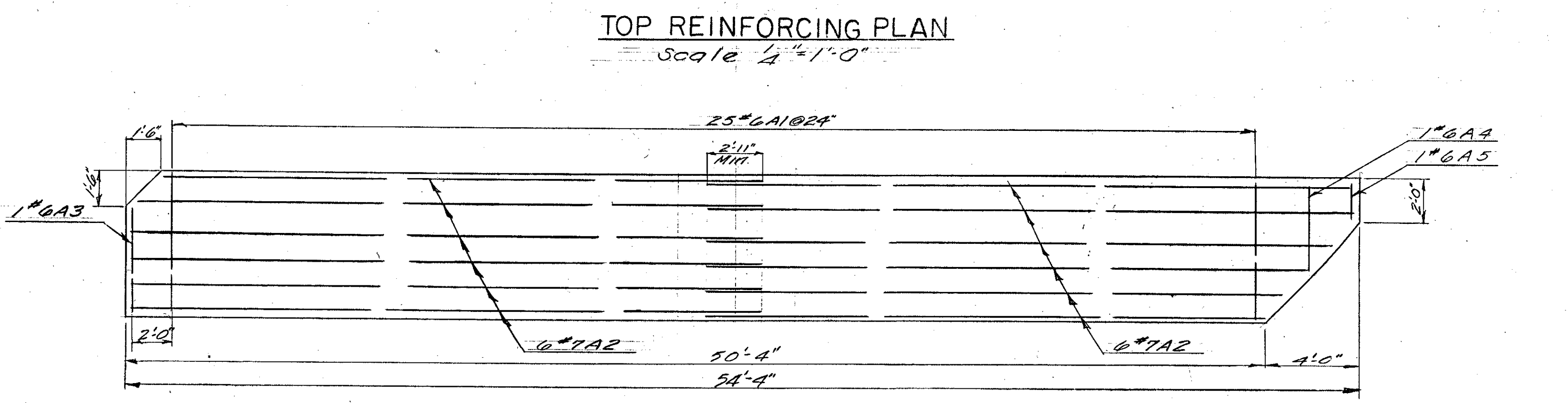
BEARING ELEVATIONS		A	B	C	D	E
EAST BOUND	East Abut	540.60	540.59	540.58	540.28	539.98
	West Abut	536.05	535.96	535.80	535.34	535.18



TOP REINFORCING PLAN Scale 1/4"=1'-0"



PILE PLAN - EAST & WEST ABUT. Scale 1/8"=1'-0"



BOTTOM REINFORCING PLAN Scale 1/4"=1'-0"

- NOTES:**
- For General Notes see Sh#136
 - For Bearing Devices and Anchor Bolts see Detail E' Sh#197
 - For Bridge Marker see Detail W' Sh#198
 - Reinforcing in top of Abutment shall be spaced to pass anchor bolts maintaining minimum spacing requirements
 - Steel H Piles to be driven to a minimum Bearing capacity of 35 tons & to Elevation directed by the Engineer.

IM 089-2(26)
 This sheet for information only
BR 43 N & S

STATE OF VERMONT
 DEPARTMENT OF HIGHWAYS
 INTERSTATE PROJECT in the towns of
 BERLIN - MONTPELIER - MIDDLESEX
**OVERPASS STA 314+00. STRUCTURE #4
 EASTBOUND ABUTMENT DETAILS**

BOSWELL ENGINEERING CO.
 CONSULTING ENGINEERS
 RIDGEFIELD PARK, N.J.

SURVEYED BY: [Signature] CHECKED BY: [Signature]
 DRAWN BY: [Signature] IN CHARGE: [Signature]
 PROJECT NO.: 89-2(3) SHEET 220 OF 307

Item	Description	Unit	Quantity	Notes
407	Asphaltic Asbestos Coating	E. Abut	25	
"	"	W. Abut	28	
408	Reinforcing Steel	E. Abut	25.69	
"	"	W. Abut	25.26	
409	Class B Concrete (Mod)	E. Abut	61	
"	"	W. Abut	61	
504	Steel Piling 10BPA2	E. Abut	575	
"	"	W. Abut	1350	