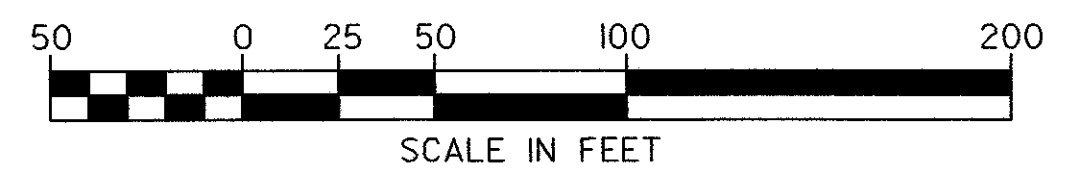
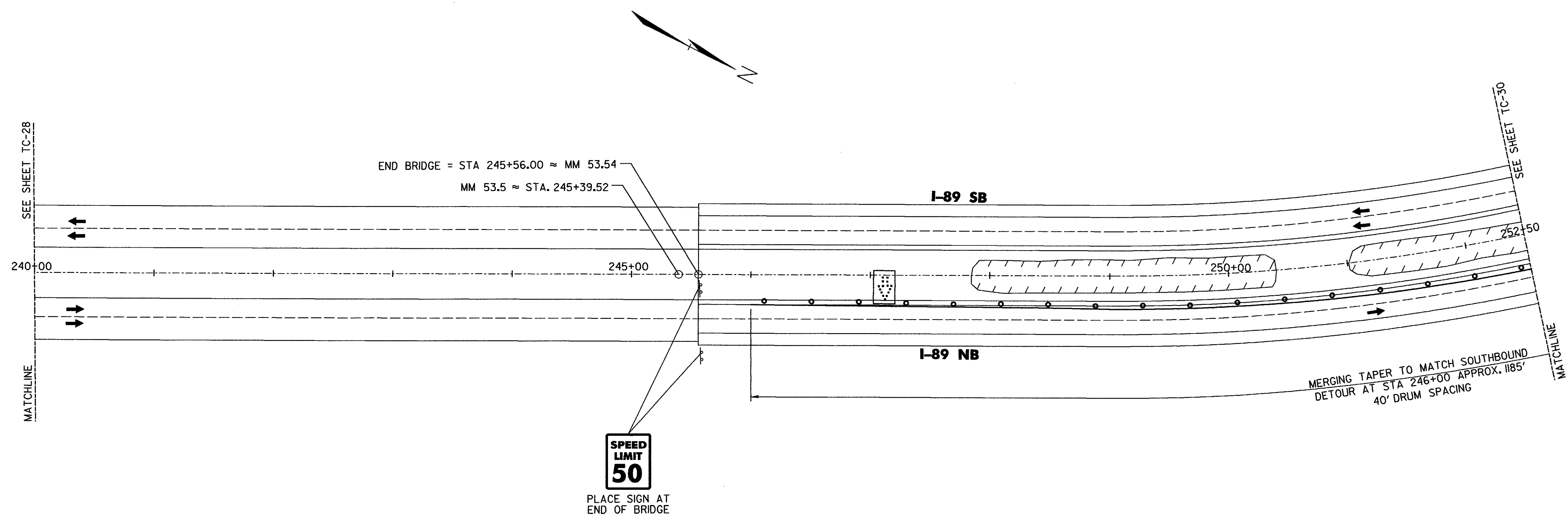


**LEGEND**

- CONCRETE BARRIER
- ➔ DIRECTION OF TRAFFIC FLOW WITH DETOUR IN PLACE
- ==== CROSSOVER ALIGNMENT
- ▨ BRIDGE WORK AREA
- ⬭ LEDGE OUTCROPPING
- ⊞ GUARDRAIL
- ⊞ EXISTING DROP INLET
- ⊞ PORTABLE ARROW BOARD
- TYPE I DELINEATOR (YELLOW)
- TYPE I DELINEATOR (WHITE)
- REFLECTORIZED PLASTIC DRUM
- 4' TEMPORARY PAVEMENT MARKINGS
- ▣ TYPE III BARRICADE
- ▣ TYPE III (MOD) BARRICADE
- APPROXIMATE CULVERT LOCATION



**STATE OF VERMONT  
AGENCY OF TRANSPORTATION**

Town Of	MIDDLESEX-BOLTON	Bridge No.	<b>43</b>
Highway No.	I-89	Log Sta.	
		Surv. Sta.	
<b>PHASE II CONSTRUCTION I-89 NORTHBOUND CROSSOVER</b>			
<b>BRIDGE 43</b>			
Designed By	J.M.SMYRSKI/K.S.MARSHA	Drawn By	S. E. SCHMITT
Checked By	Date	Bridge Design Supervisor	
J. W. TUCKER	10/99	J. P. HALSTEAD	Date 10/99
PROJECT	MIDDLESEX-BOLTON	PROJECT NO.	IM-089-2(26)
Drawing No.	...43-nb.dgn	Date	OCT 1999
Bridge Sheet No.	TC-29	Sheet	189 of 307

