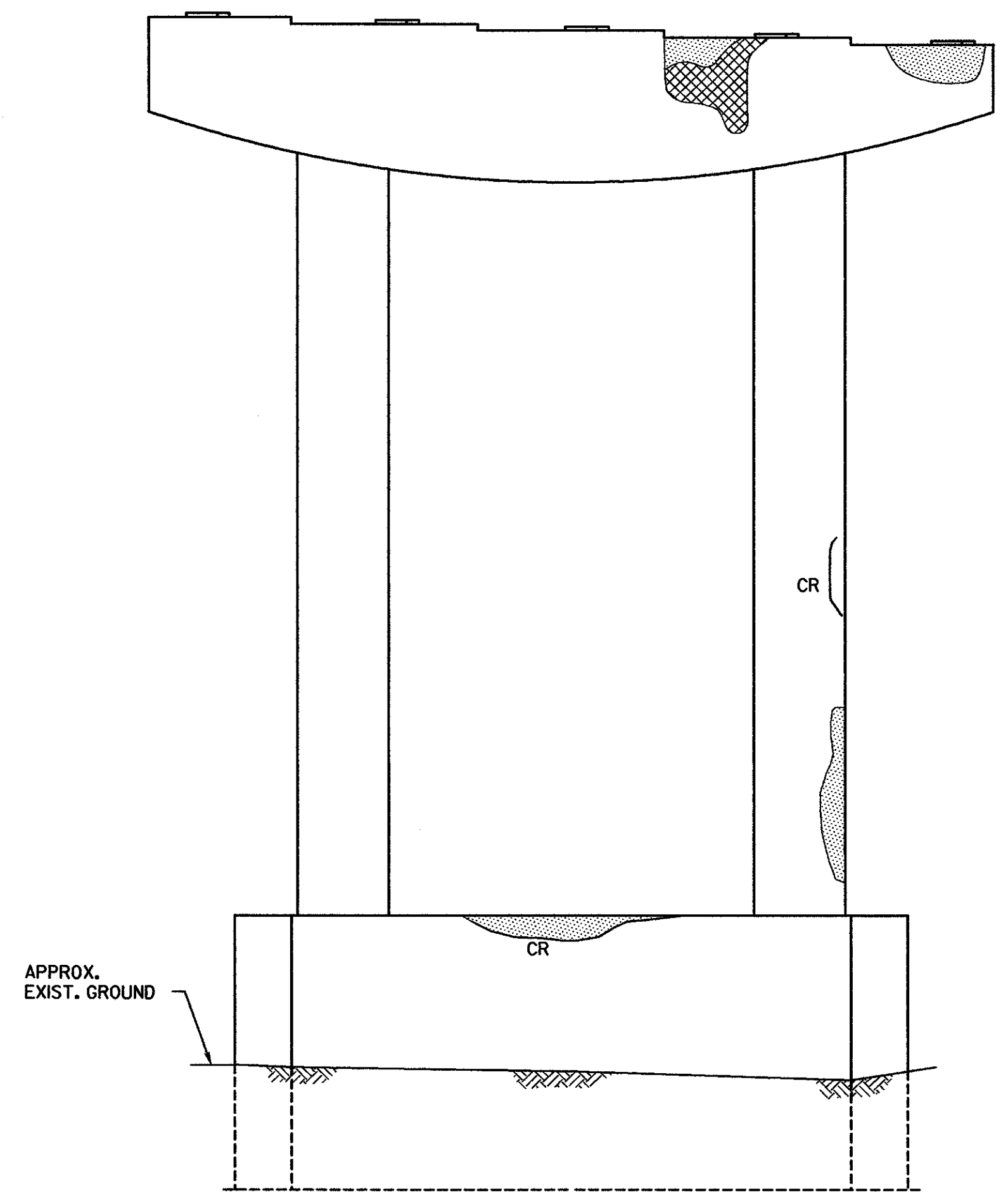
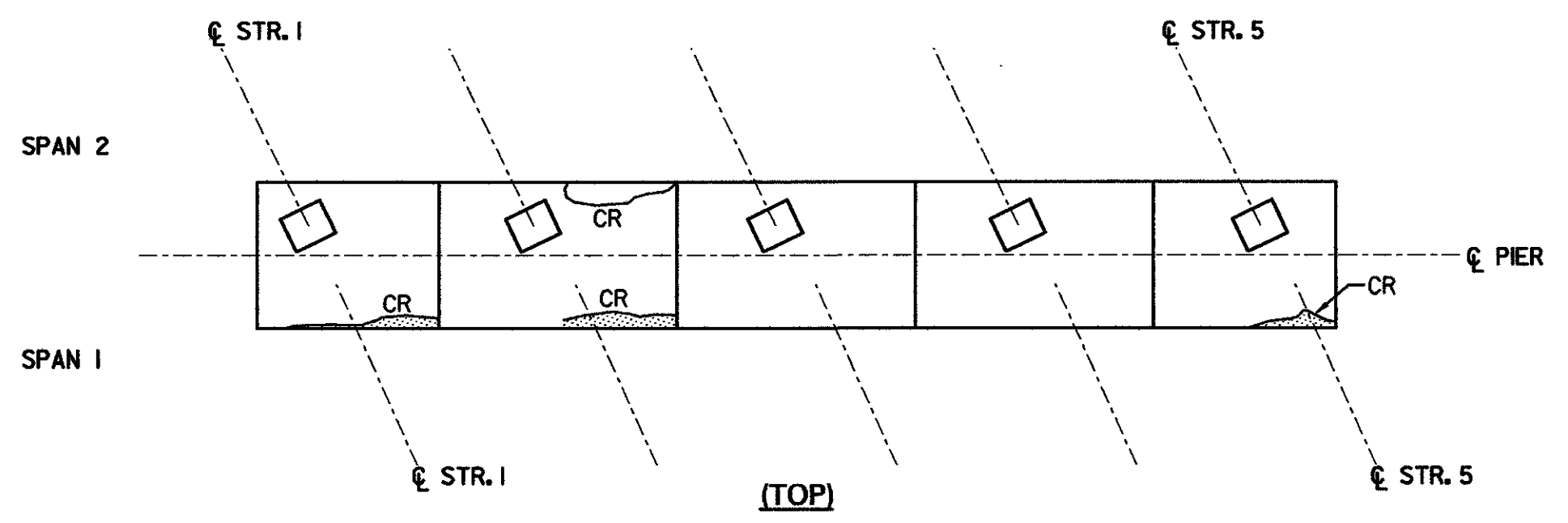


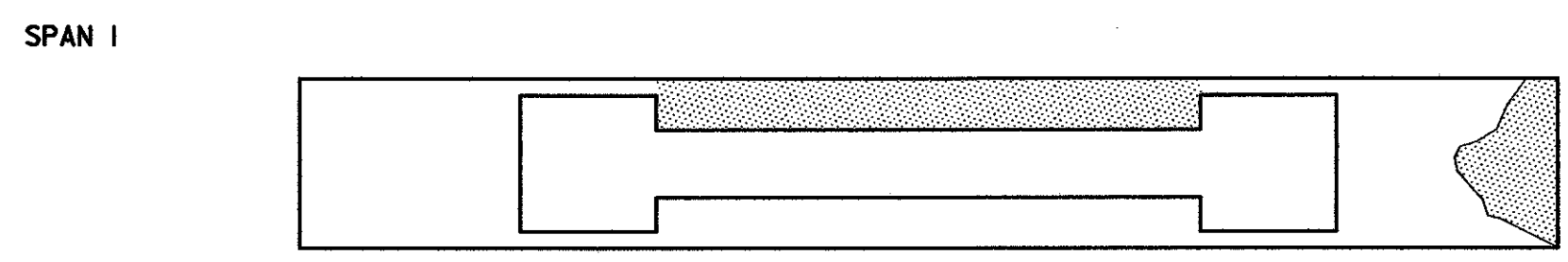
(ABUT. 1 SIDE)  
**PIER 1 ELEVATION**  
 SCALE: 3/16"=1'-0"



(PIER 2 SIDE)  
**PIER 1 ELEVATION**  
 SCALE: 3/16"=1'-0"

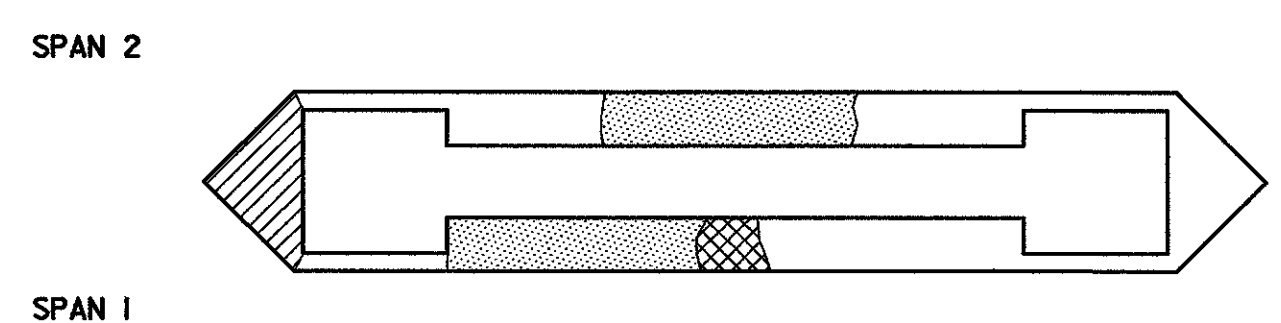


(TOP)



(BOTTOM)

**PIER 1 CAP**  
 SCALE: 3/16"=1'-0"



(TOP)

**PIER 1 BASE**  
 SCALE: 3/16"=1'-0"

- ABBREVIATIONS**
- CR CRACK
  - PA PREVIOUSLY PATCHED AREA
- LEGEND**
- CRACK
  - DELAMINATED AREA
  - SPALLED AREA
  - DEEPLY SPALLED WITH EXPOSED REBAR
  - EXISTING GROUND

**STATE OF VERMONT  
 AGENCY OF TRANSPORTATION**

Town Of	MIDDLESEX-BOLTON	Bridge No.	<b>485</b>
Highway No.	I-89	Log Sta.	
		Surv. Sta.	
I-89 SB OVER LITTLE RIVER			
<b>EXIST. SUBSTR. CONDITION (485) (1 OF 3)</b>			
Designed By	P.W. SZUSTAK	Drawn By	R.A. BOTZENHART
Checked By	J.P. HALSTEAD	Bridge Design Supervisor	J.P. HALSTEAD
Date	10/99	Date	10/99
PROJECT	MIDDLESEX-BOLTON	PROJECT NO.	IM-089-2(26)
TVGA CAD Drawing No.	48piers	Date	10/99
Bridge Sheet No.	<b>SC-8</b>	Sheet	142 of 307