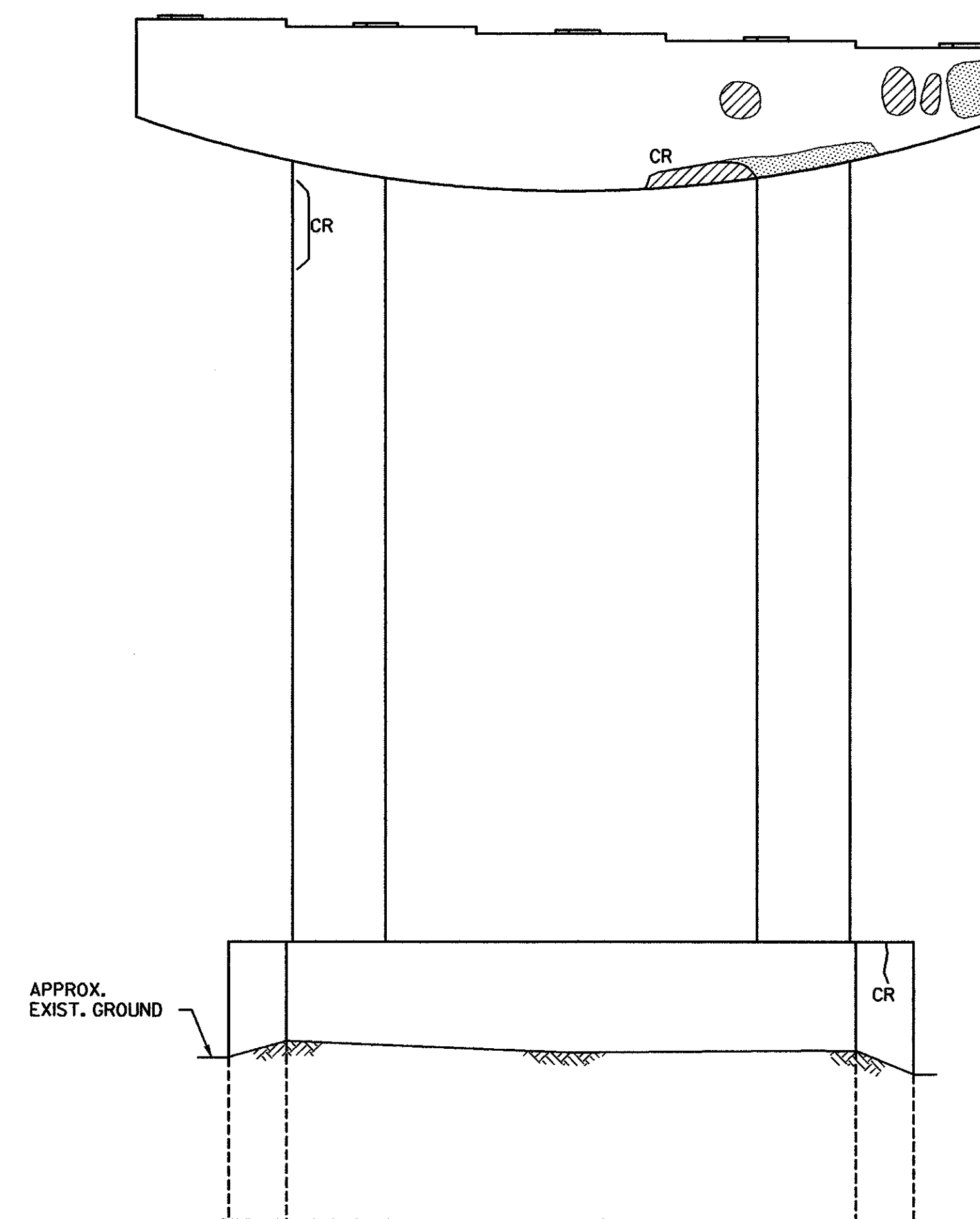


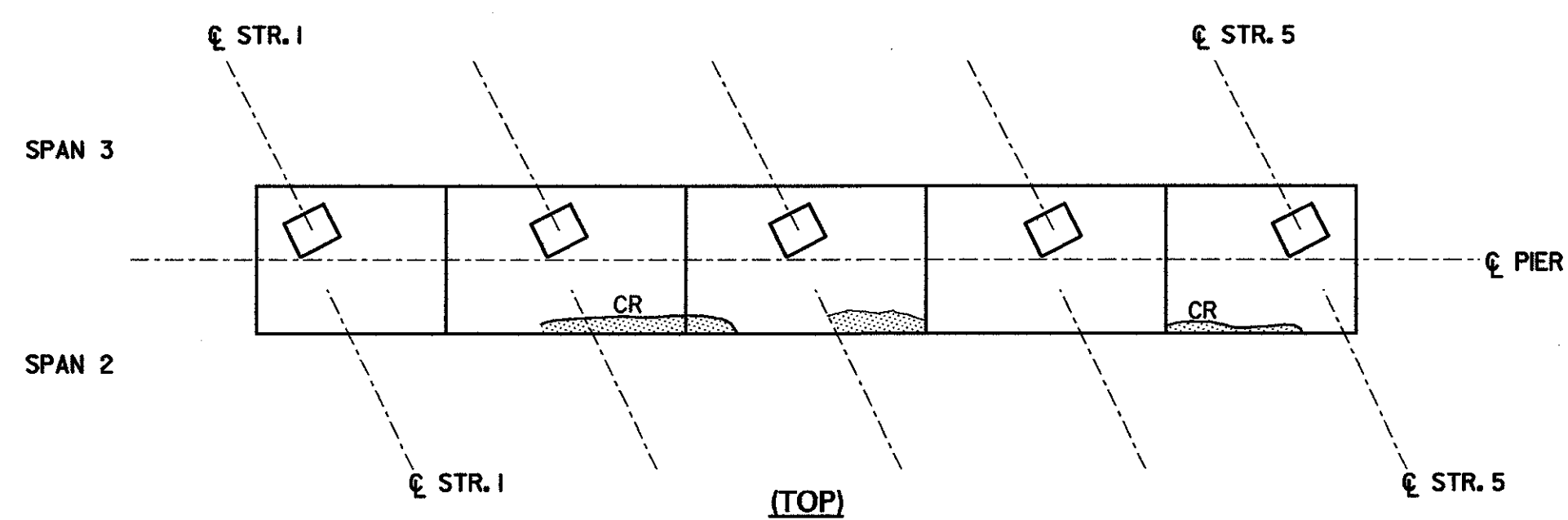
(PIER 1 SIDE)

**PIER 2 ELEVATION**  
SCALE: 3/16"=1'-0"

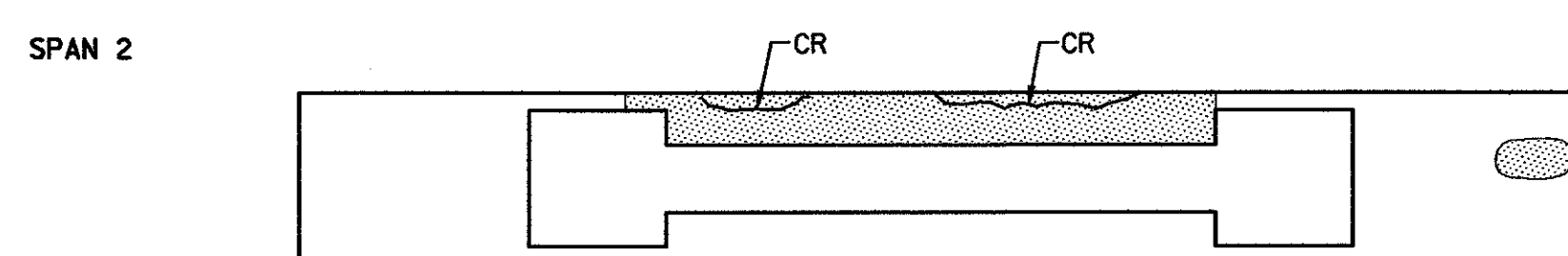


(ABUT. 2 SIDE)

**PIER 2 ELEVATION**  
SCALE: 3/16"=1'-0"

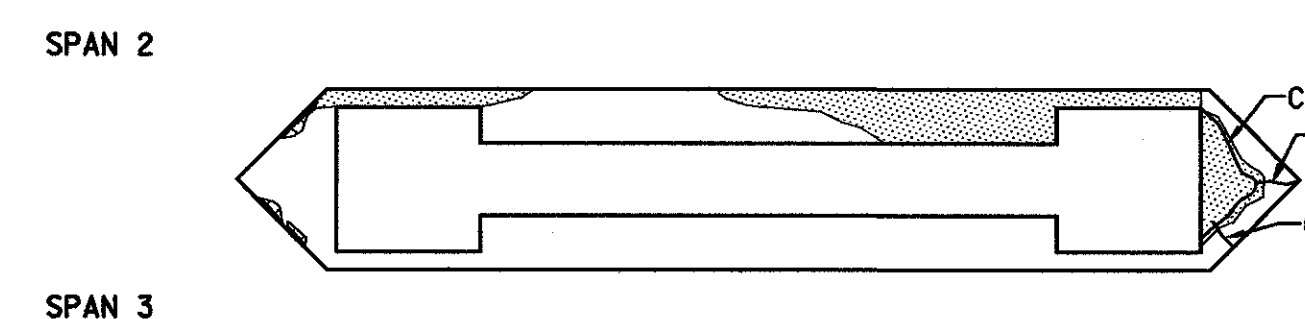


(TOP)



(BOTTOM)

**PIER 2 PLAN**  
SCALE: 3/16"=1'-0"



(TOP)

**PIER 2 BASE**  
SCALE: 3/16"=1'-0"

**ABBREVIATIONS**

CR CRACK  
PA PREVIOUSLY PATCHED AREA

**LEGEND**

CRACK  
DELAMINATED AREA  
SPALLED AREA  
DEEPLY SPALLED WITH EXPOSED REBAR  
EXISTING GROUND

**STATE OF VERMONT  
AGENCY OF TRANSPORTATION**

Town Of	MIDDLESEX-BOLTON	Bridge No.	<b>48N</b>
Highway No.	I-89	Log Sta.	
		Surv. Sta.	
I-89 NB OVER LITTLE RIVER			
<b>EXIST. SUBSTR. CONDITION (48N) (2 OF 3)</b>			
Designed By	P.W. SZUSTAK	Drawn By	R.A. BOTZENHART
Checked By	J.P. HALSTEAD	Bridge Design Supervisor	J.P. HALSTEAD
Date	10/99	Date	10/99
PROJECT	MIDDLESEX-BOLTON	PROJECT NO.	IM-089-2(26)
TVGA CAD Drawing No.	48piers	Date	10/99
Bridge Sheet No.	SC-6	Sheet	140 of 307