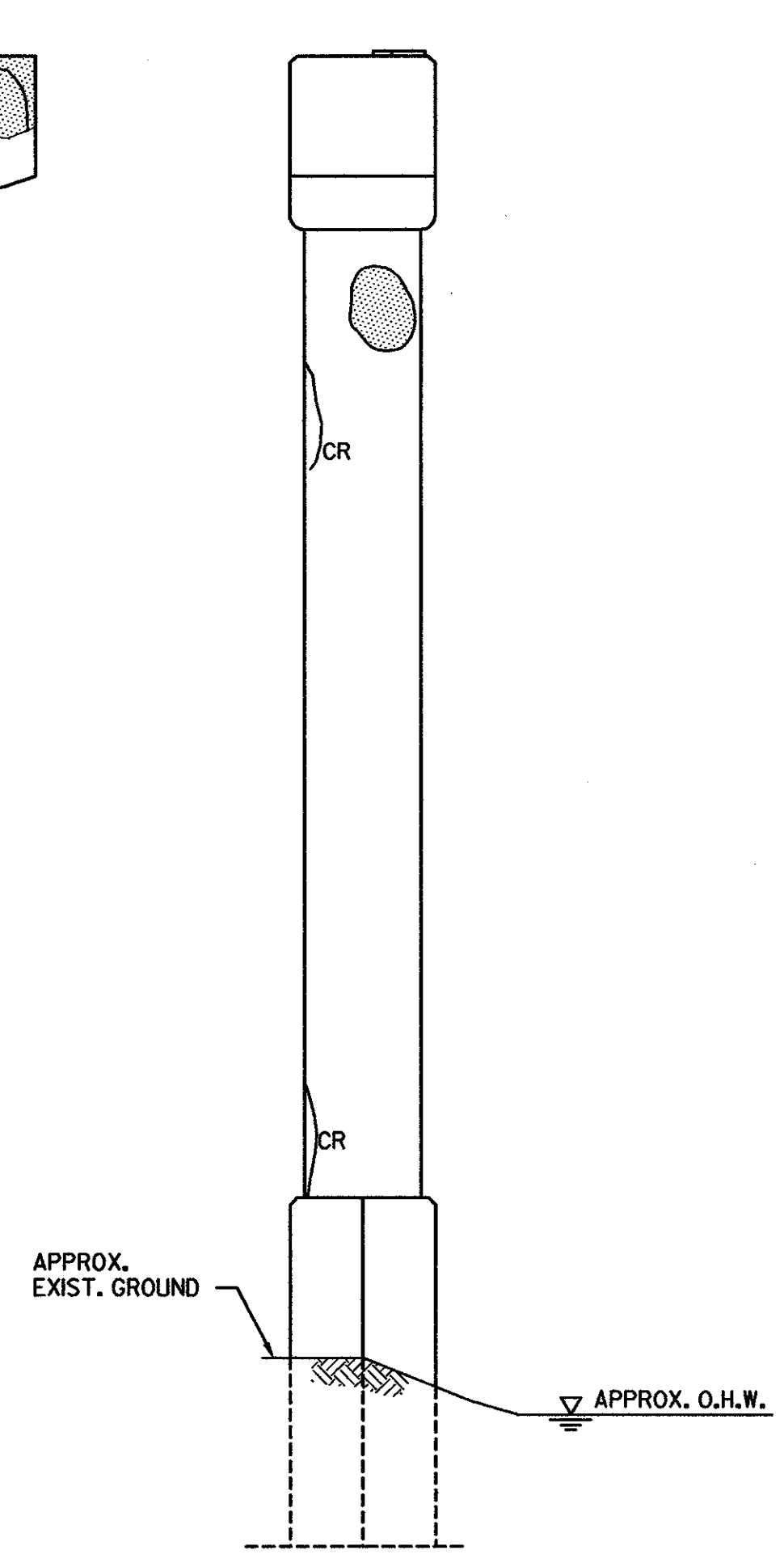


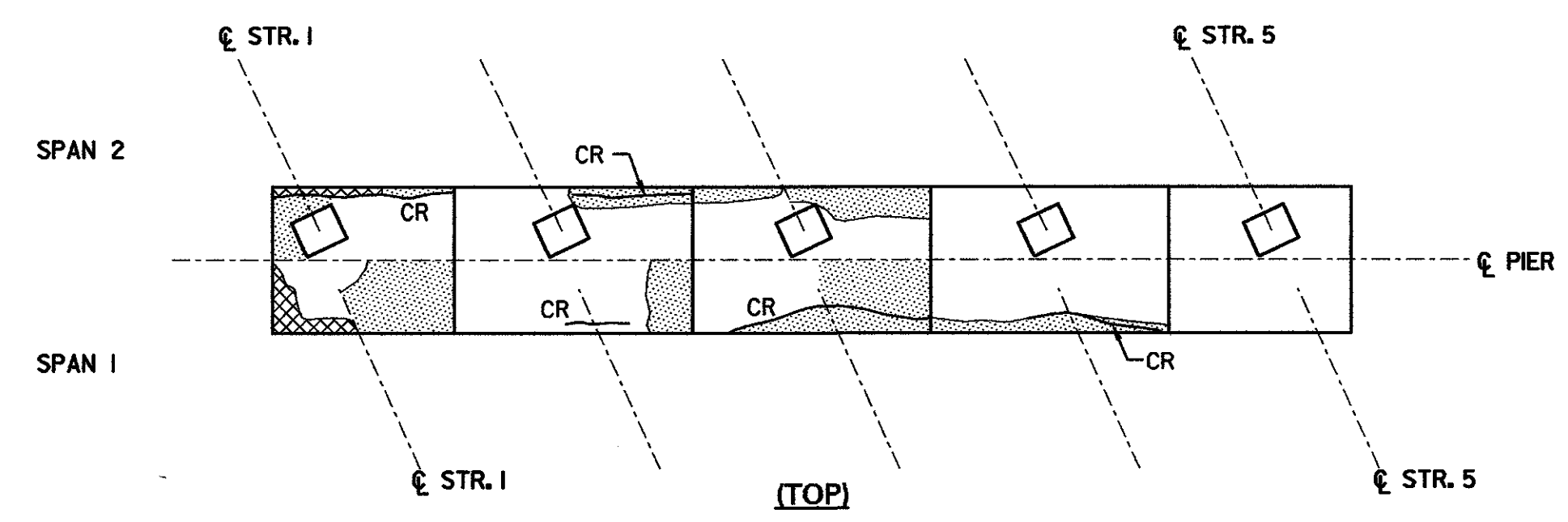
(ABUT. 1 SIDE)

PIER 1 ELEVATION
SCALE: 3/16"=1'-0"

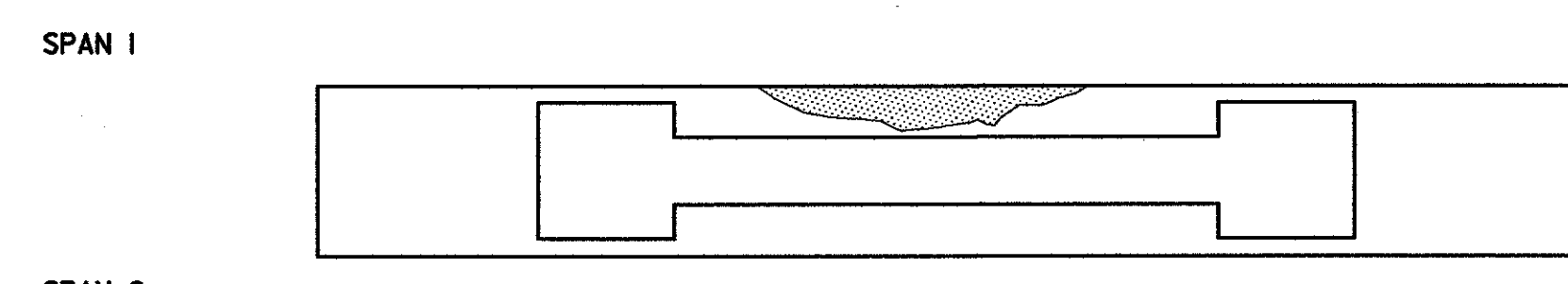


(PIER 2 SIDE)

PIER 1 ELEVATION
SCALE: 3/16"=1'-0"

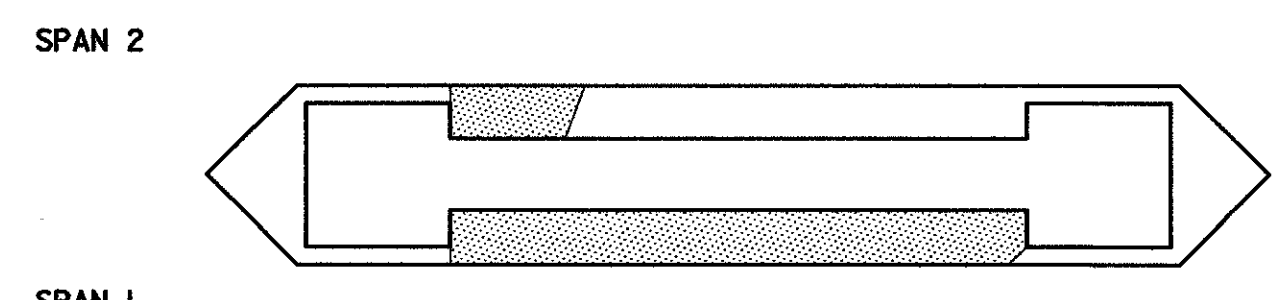


(TOP)



(BOTTOM)

PIER 1 PLAN
SCALE: 3/16"=1'-0"



(TOP)

PIER 1 BASE
SCALE: 3/16"=1'-0"

ABBREVIATIONS

CR	CRACK
PA	PREVIOUSLY PATCHED AREA

LEGEND

CRACK	
DELAMINATED AREA	
SPALLED AREA	
DEEPLY SPALLED WITH EXPOSED REBAR	
EXISTING GROUND	

STATE OF VERMONT AGENCY OF TRANSPORTATION			
Town Of	MIDDLESEX-BOLTON	Bridge No.	48N
Highway No.	I-89	Log Sta.	
		Surv. Sta.	
I-89 NB OVER LITTLE RIVER			
EXIST. SUBSTR. CONDITION (48N) (1 OF 3)			
Designed By	P.W. SZUSTAK	Drawn By	R.A. BOTZENHART
Checked By	J.P. HALSTEAD	Date	10/99
		Bridge Design Supervisor	J.P. HALSTEAD Date 10/99
PROJECT	MIDDLESEX-BOLTON	PROJECT NO.	IM-089-2(26)
TVGA CAD Drawing No.	48piers	Date	10/99
Bridge Sheet No.	SC-5	Sheet	139 of 307