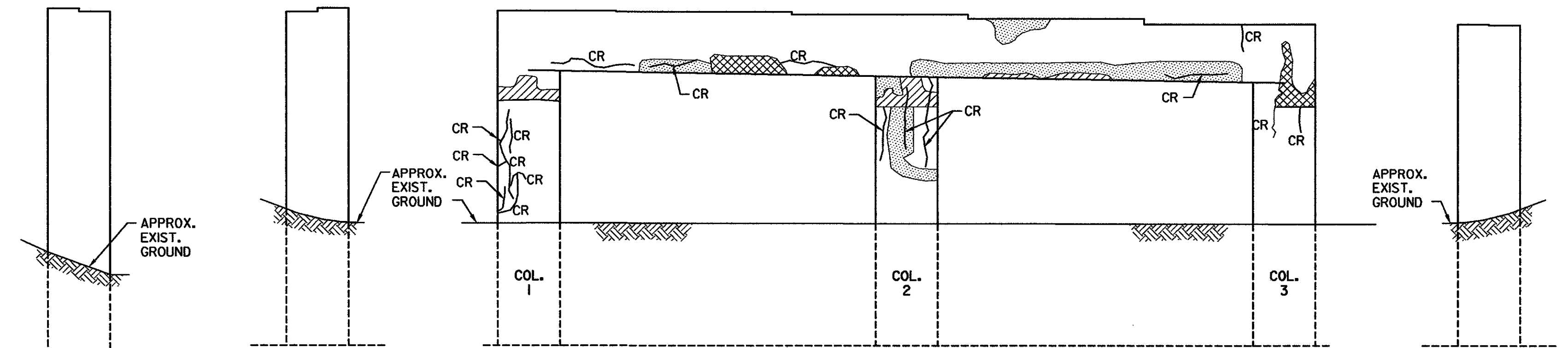
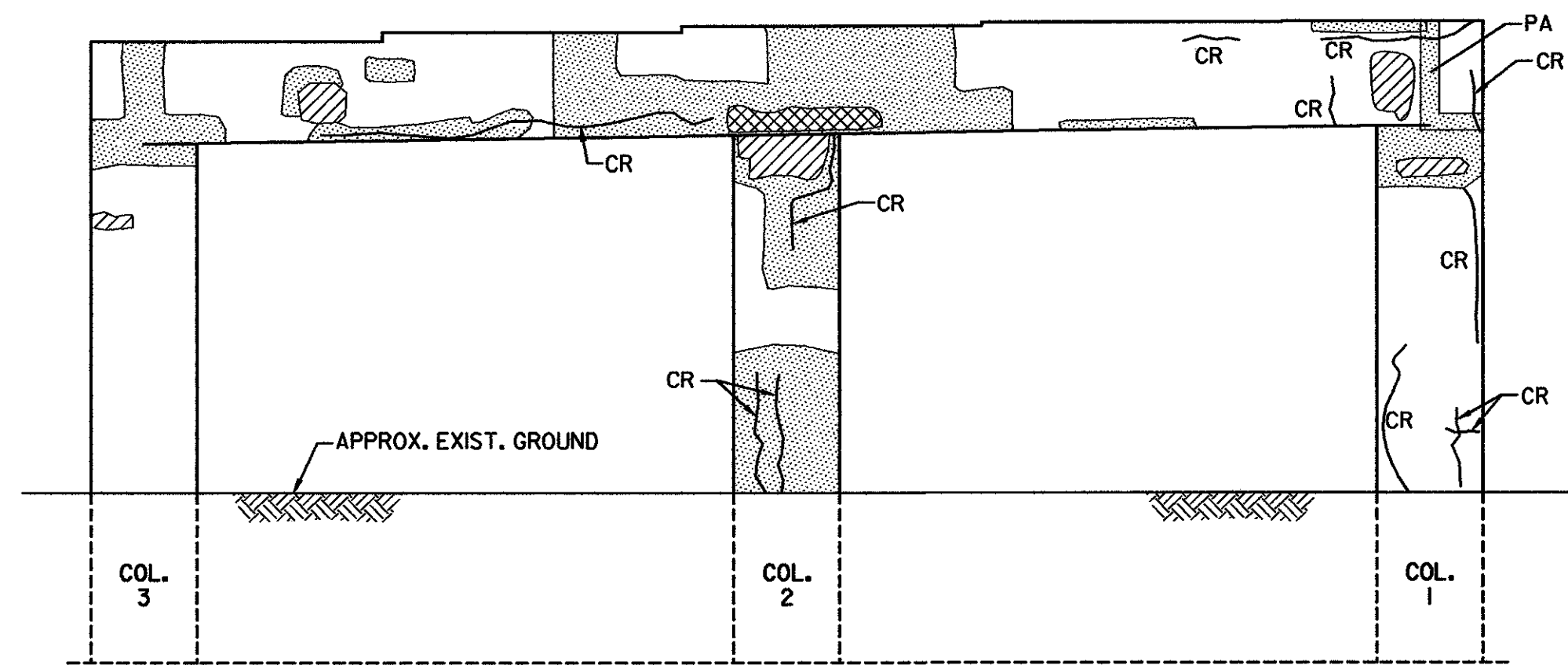


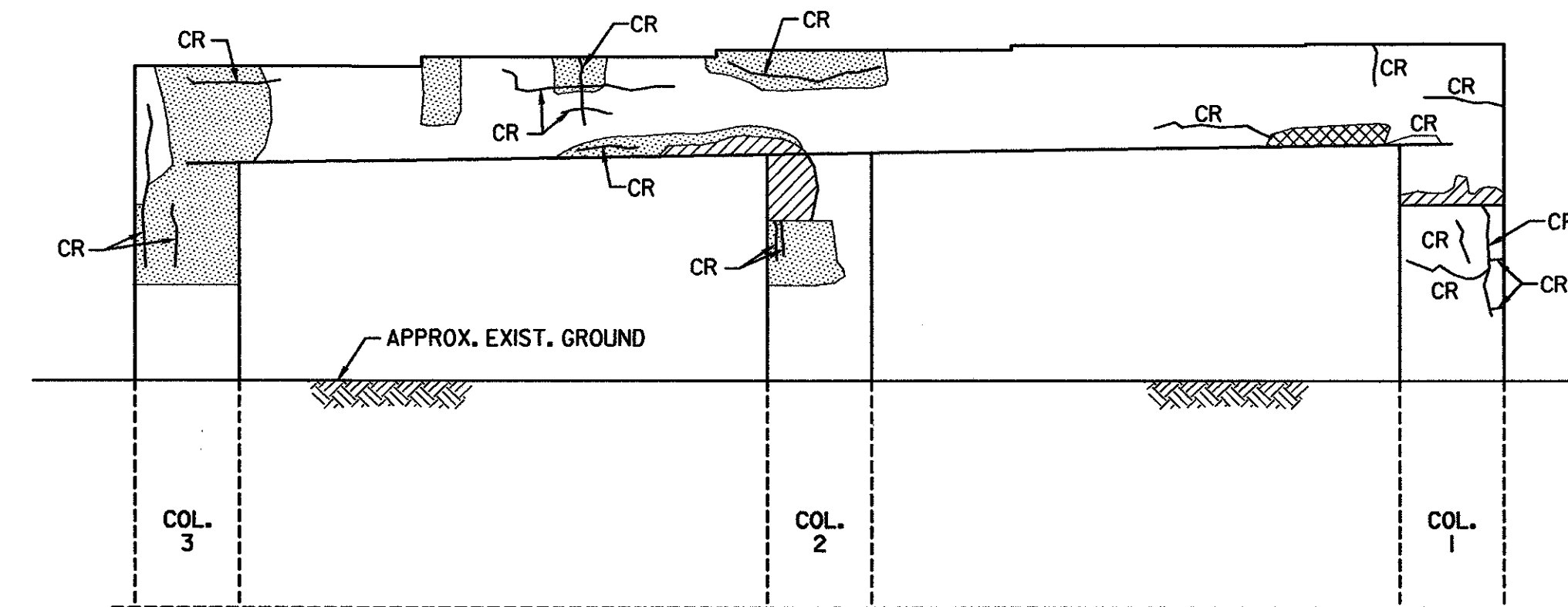
(ABUT. 1 SIDE)



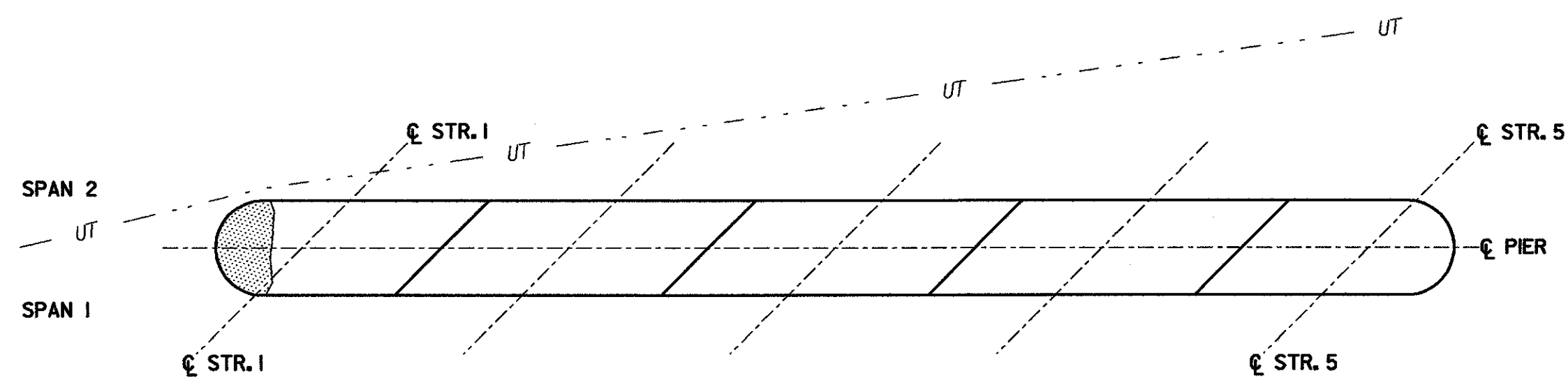
(PIER 1 SIDE)



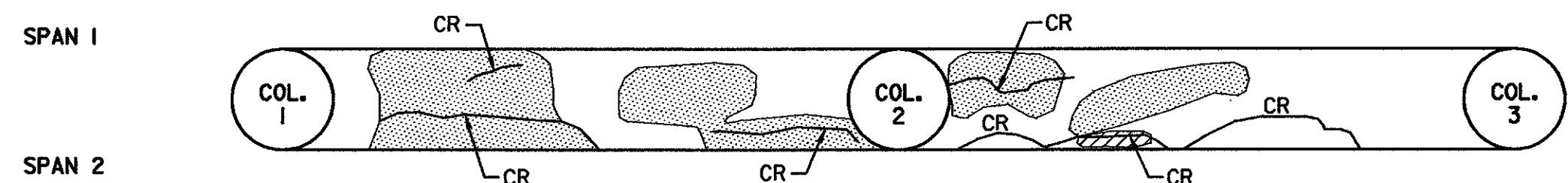
(PIER 2 SIDE)
PIER 1 ELEVATIONS
SCALE: 3/16"=1'-0"



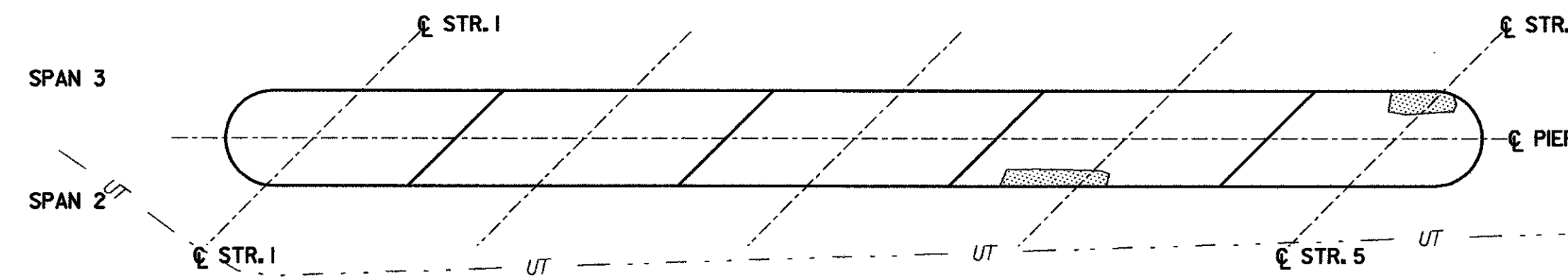
(ABUT. 2 SIDE)
PIER 2 ELEVATIONS
SCALE: 3/16"=1'-0"



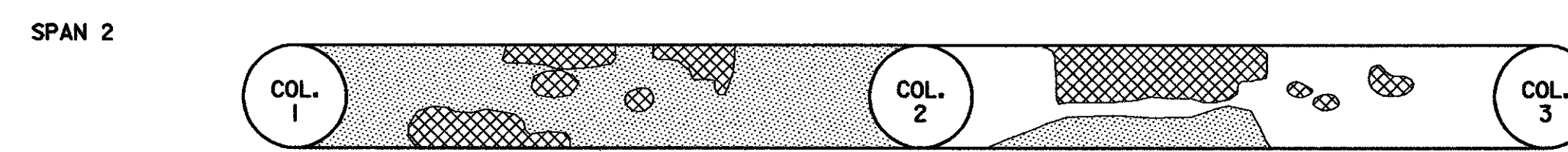
(TOP)



PIER 1 CAP
SCALE: 3/16"=1'-0"



(TOP)



PIER 2 CAP
SCALE: 3/16"=1'-0"

ABBREVIATIONS

CR CRACK
PA PREVIOUSLY PATCHED AREA

LEGEND

CRACK
DELAMINATED AREA
SPALLED AREA
DEEPLY SPALLED WITH EXPOSED REBAR
UNDERGROUND TELEPHONE
EXISTING GROUND

**STATE OF VERMONT
AGENCY OF TRANSPORTATION**

Town Of	MIDDLESEX-BOLTON	Bridge No.	435
Highway No.	I-89	Log Sta.	
		Surv. Sta.	
I-89 SB OVER U.S. ROUTE 2			
EXIST. SUBSTR. CONDITION (435) (1 OF 2)			
Designed By	P.W. SZUSTAK	Drawn By	R.A. BOTZENHART
Checked By	J.P. HALSTEAD	Date	10/99
		Bridge Design Supervisor	J.P. HALSTEAD Date 10/99
PROJECT	MIDDLESEX-BOLTON	PROJECT NO.	IM-089-2(26)
TVGA CAD Drawing No.	43plers	Date	10/99
Bridge Sheet No.	SC-3	Sheet	137 of 307