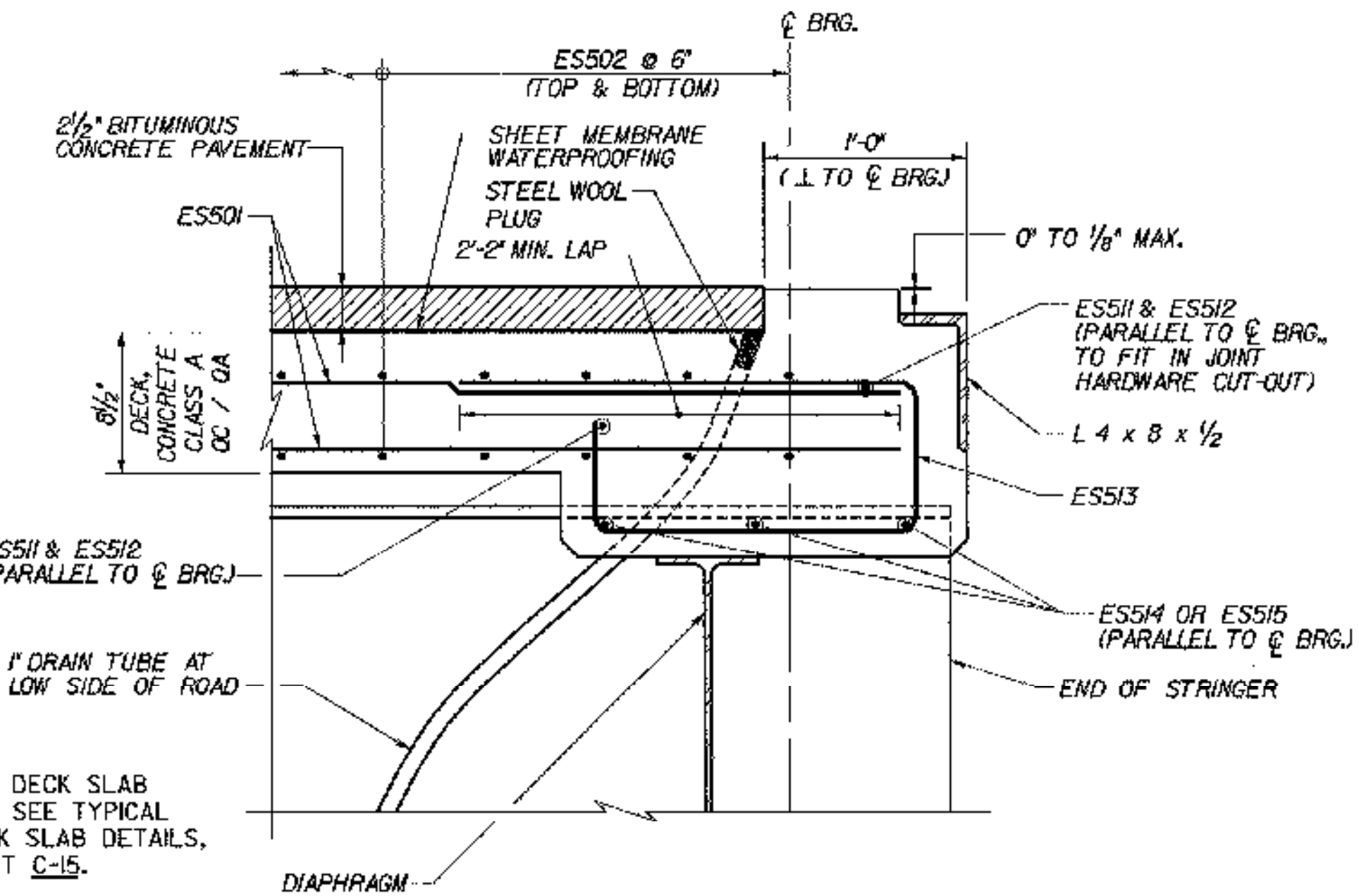
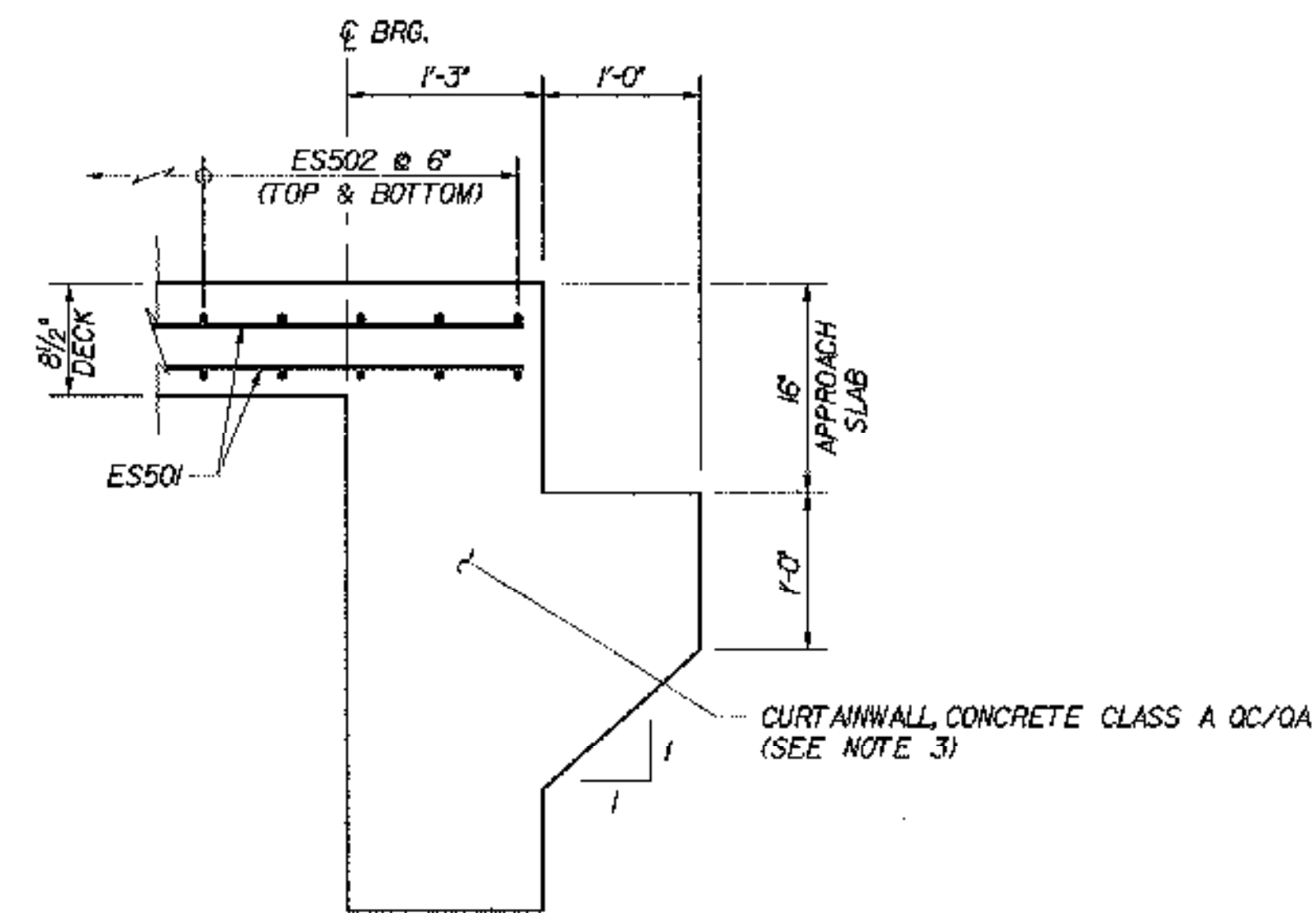


TRANSVERSE SECTION
SCALE: 1/2" = 1'-0"

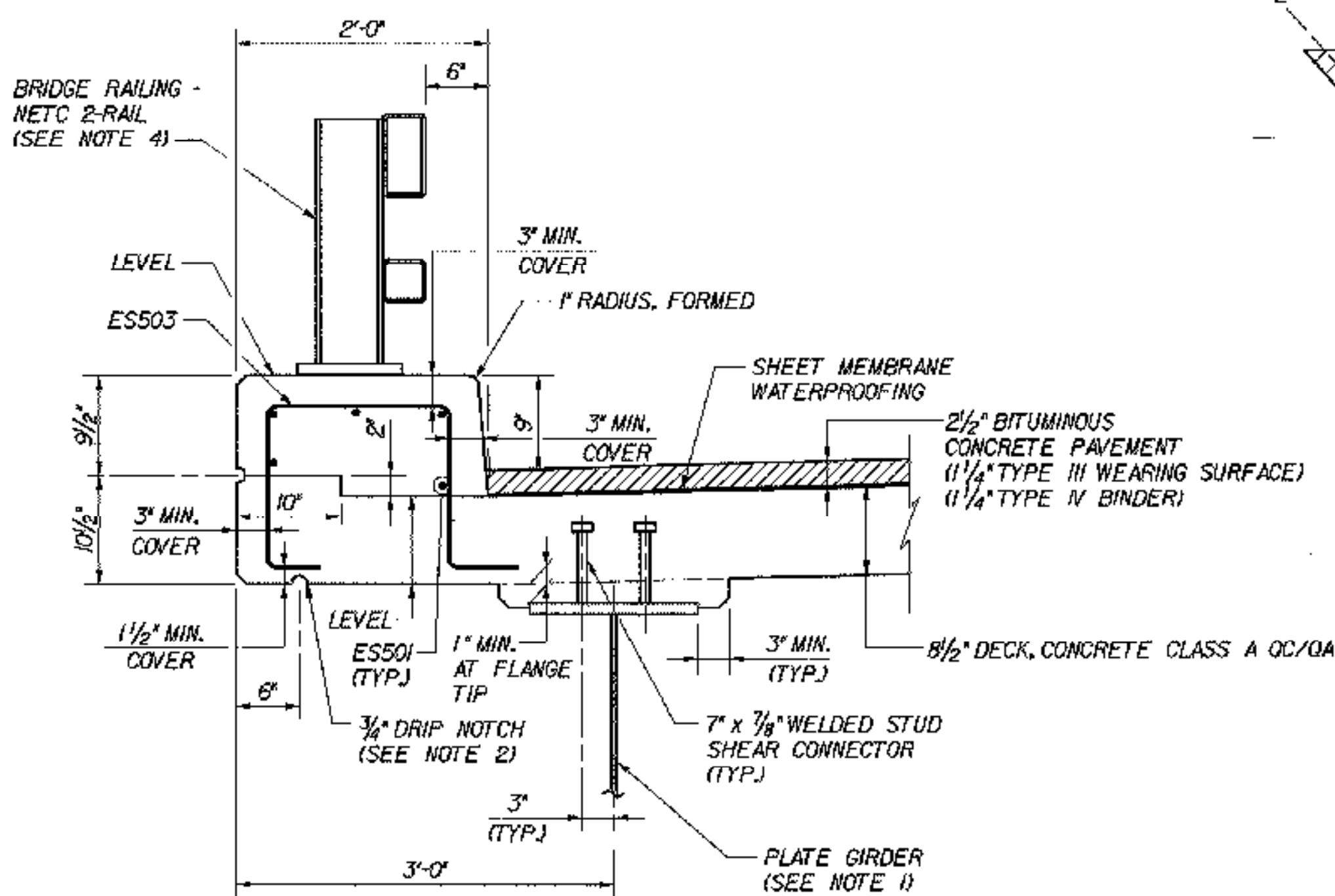


NOTE: FOR END OF DECK SLAB DIMENSIONS, SEE TYPICAL END OF DECK SLAB DETAILS, BRIDGE SHEET C-15.

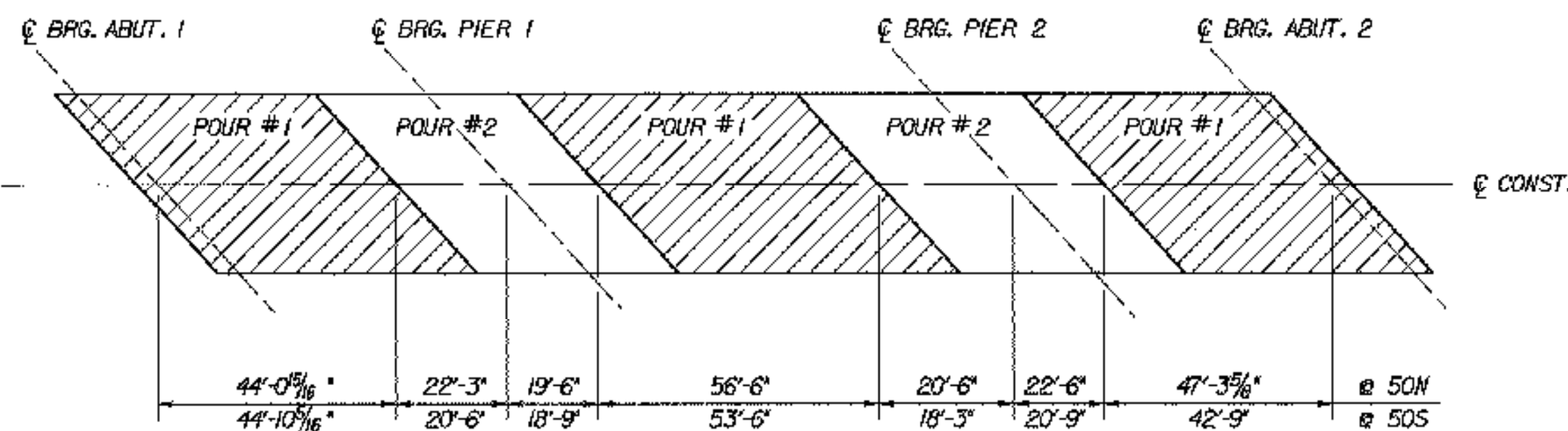
END OF DECK SLAB REINFORCEMENT DETAIL
(EXP. END)
SCALE: 1/2" = 1'-0"



END OF DECK SLAB REINFORCEMENT DETAIL
(FIXED END)
SCALE: 1" = 1'-0"



FASCIA DETAIL
SCALE: 1" = 1'-0"



DECK POUR SEQUENCE
N.T.S.
BRIDGE 50N AND S WAS DONE IN A SINGLE POUR WITH NO CONSTRUCTION JOINTS.
DECK SLAB PLACEMENT NOTES

- EACH CONCRETE DECK POUR SHALL BE PLACED CONTINUOUSLY WITHIN ONE EIGHT HOUR WORKING DAY. THERE SHALL BE A MINIMUM DELAY PERIOD OF 96 HOURS AFTER COMPLETION OF EACH POUR BEFORE BEGINNING ANOTHER POUR. INDIVIDUAL POUR NUMBERS AS SHOWN MAY BE COMBINED INTO A SINGLE POUR IF APPROVED BY THE VAOT STRUCTURES ENGINEER.
- THE DECK CONCRETE SHALL BE RETARDED SUFFICIENTLY TO REMAIN PLASTIC UNTIL EACH POUR IS COMPLETE. THE QUANTITY OF RETARDANT SHALL BE APPROVED BY THE CONCRETE ENGINEER PRIOR TO PLACEMENT. ANY DEVIATIONS FROM THIS PROCEDURE MUST BE APPROVED BY THE VAOT STRUCTURES ENGINEER IN WRITING BEFORE THE POUR BEGINS.

NOTES:

- FOR PLATE GIRDER SIZES SEE STRINGER ELEVATION (50N&S), BRIDGE SHEET BR50-10.
- END DRIP NOTCH 5 FEET BEFORE END OF SLAB AT "DOWNHILL" ABUTMENTS AT 45°.
- FOR CURTAINWALL DETAILS AND REINFORCEMENT LAYOUT, SEE TYPICAL CURTAINWALL DETAILS, BRIDGE SHEET C-42.
- FOR DETAILS OF NETC BRIDGE RAIL AND APPROACH SECTION, SEE STANDARD SHEETS BR1-97 AND BR3-97, AND GUARD RAIL APPROACH SECTION, NETC 2 RAIL, BRIDGE SHEETS C-46A AND C-46B.

STATE OF VERMONT			
AGENCY OF TRANSPORTATION			
Town Of	MIDDLESEX-BOLTON	Bridge No.	50N&S
Highway No.	I-89	Log Sta.	
		Surv. Sta.	
I-89 OVER U.S. ROUTE 2			
TRANSVERSE SECTION (50N&S)			
Designed By	P.W. SZUSTAK	Drawn By	R.A. BOTZENHART
Checked By	Date	Bridge Design Supervisor	
J.P. HALSTEAD	10/99	J.P. HALSTEAD	Date 10/99
PROJECT	MIDDLESEX-BOLTON	PROJECT NO.	IM-089-2(26)
TVGA CAD Drawing No.	50tsect	Date	10/99
Bridge Sheet No.	BR50-4	Sheet	88 of 307