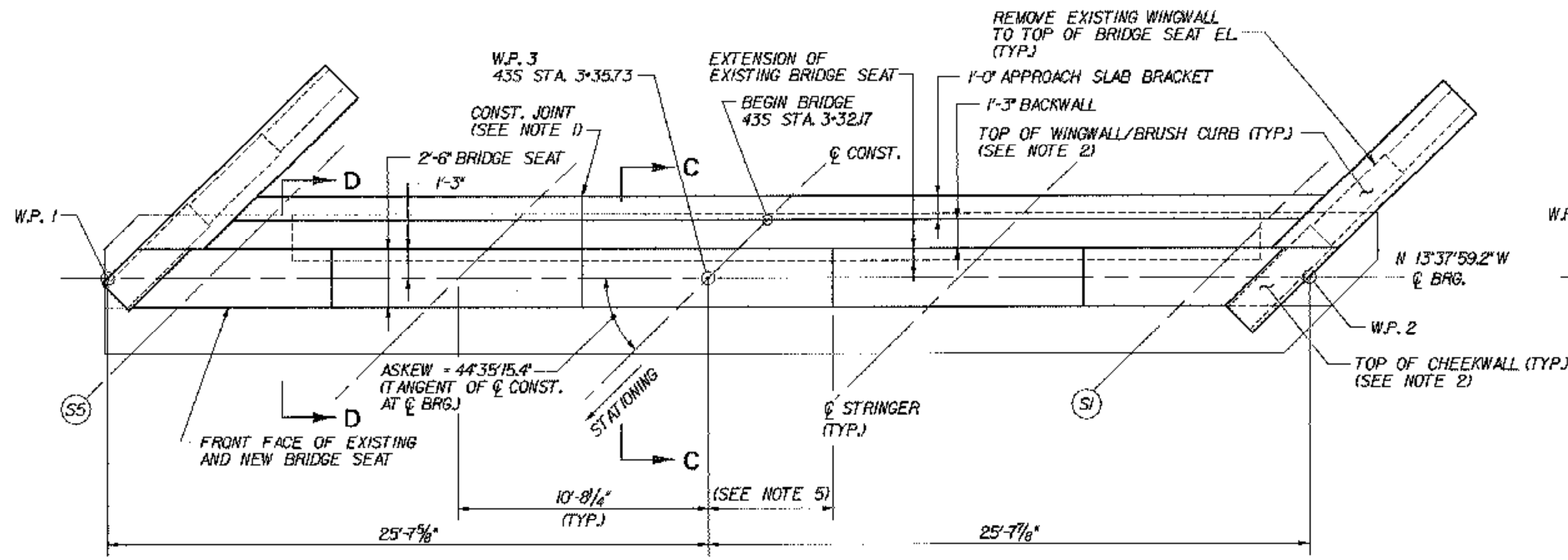
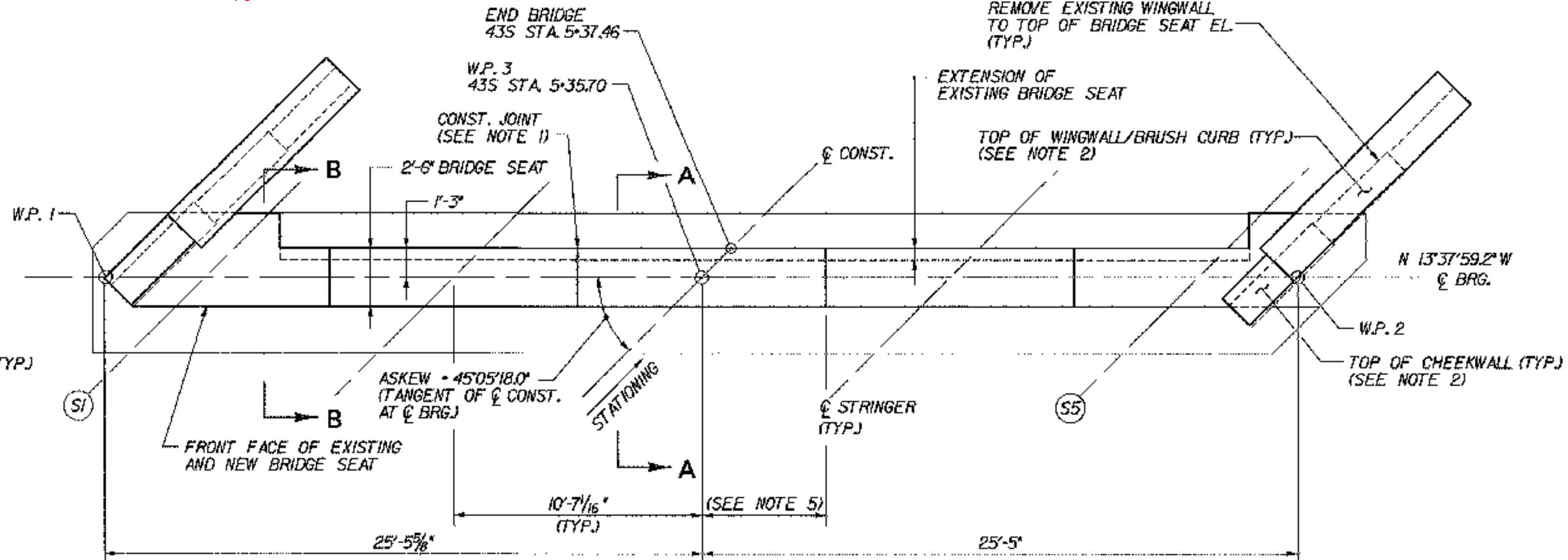


NOTE: RAISED BRIDGE 43S FIN. GRADE 1 3/8"



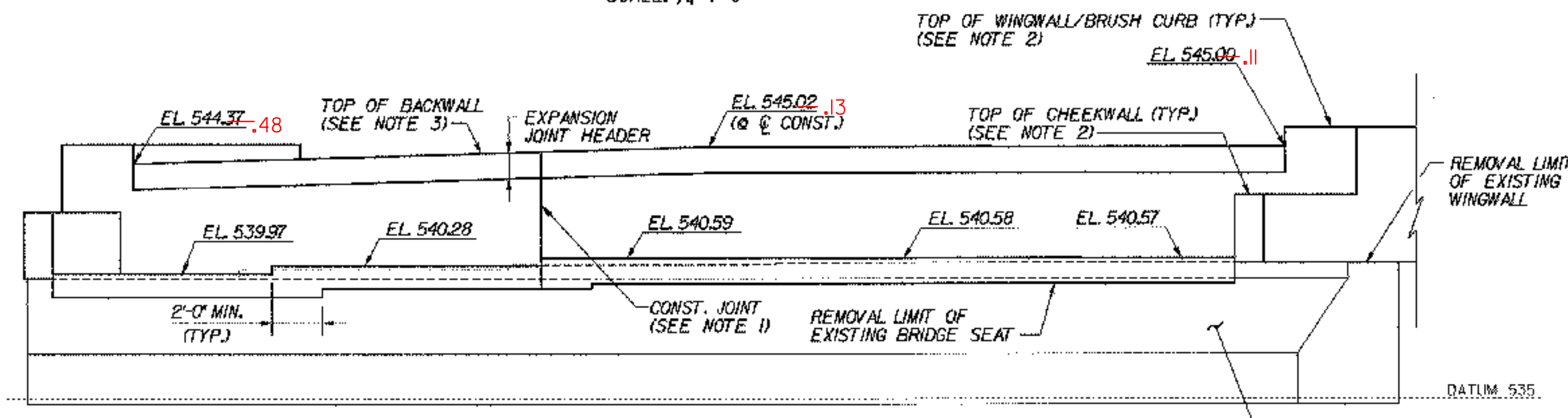
ABUTMENT 1 PLAN (EXP.)

SCALE: 1/4"=1'-0"



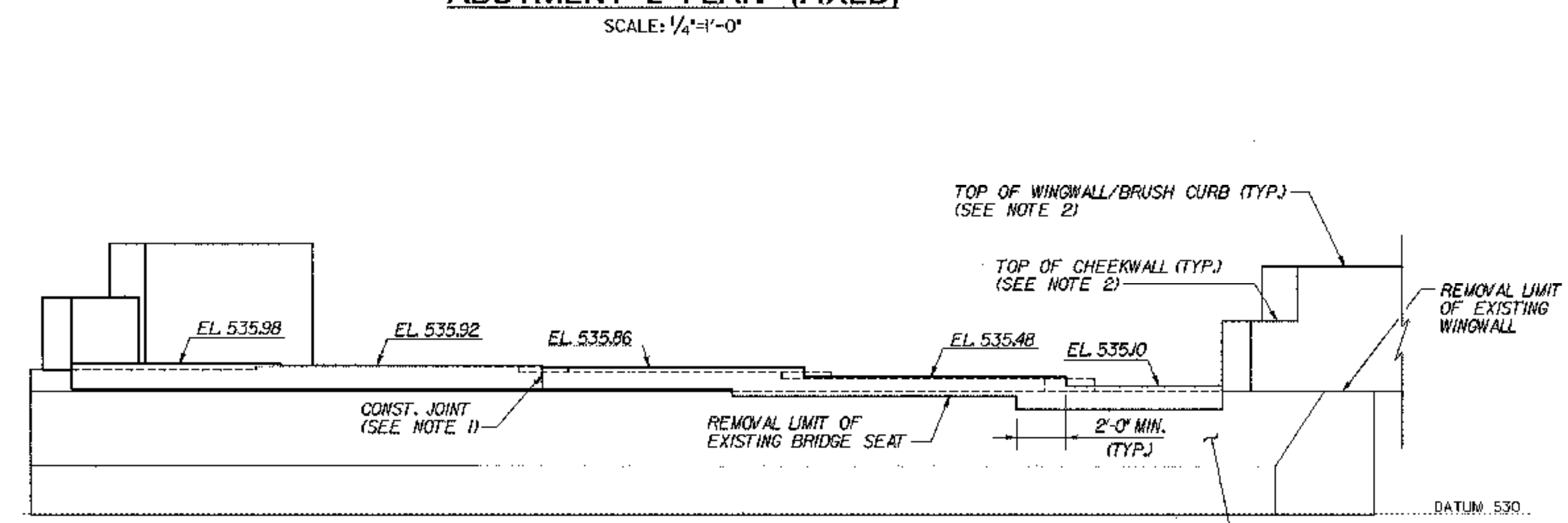
ABUTMENT 2 PLAN (FIXED)

SCALE: 1/4"=1'-0"



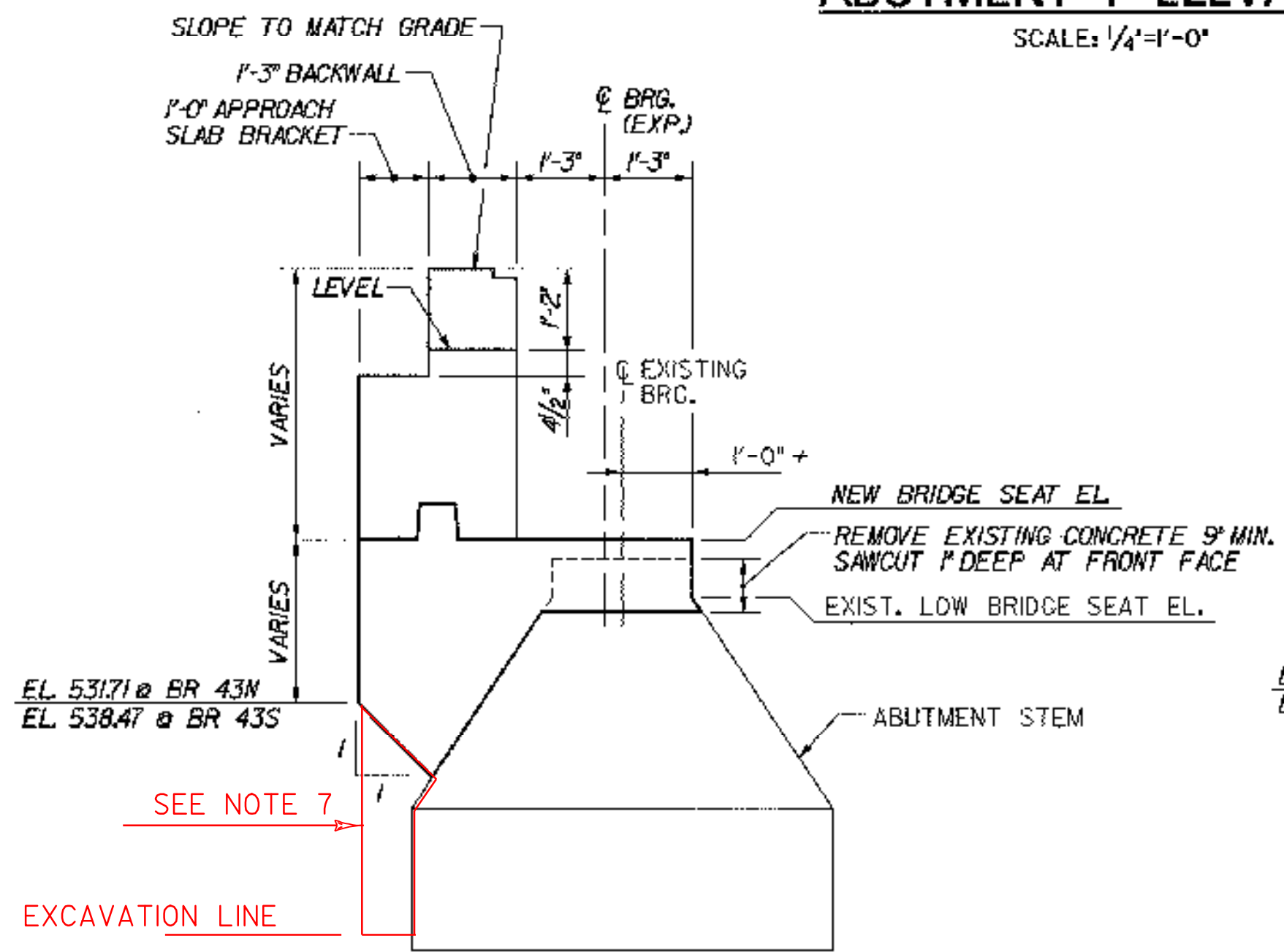
ABUTMENT 1 ELEVATION

SCALE: 1/4"=1'-0"



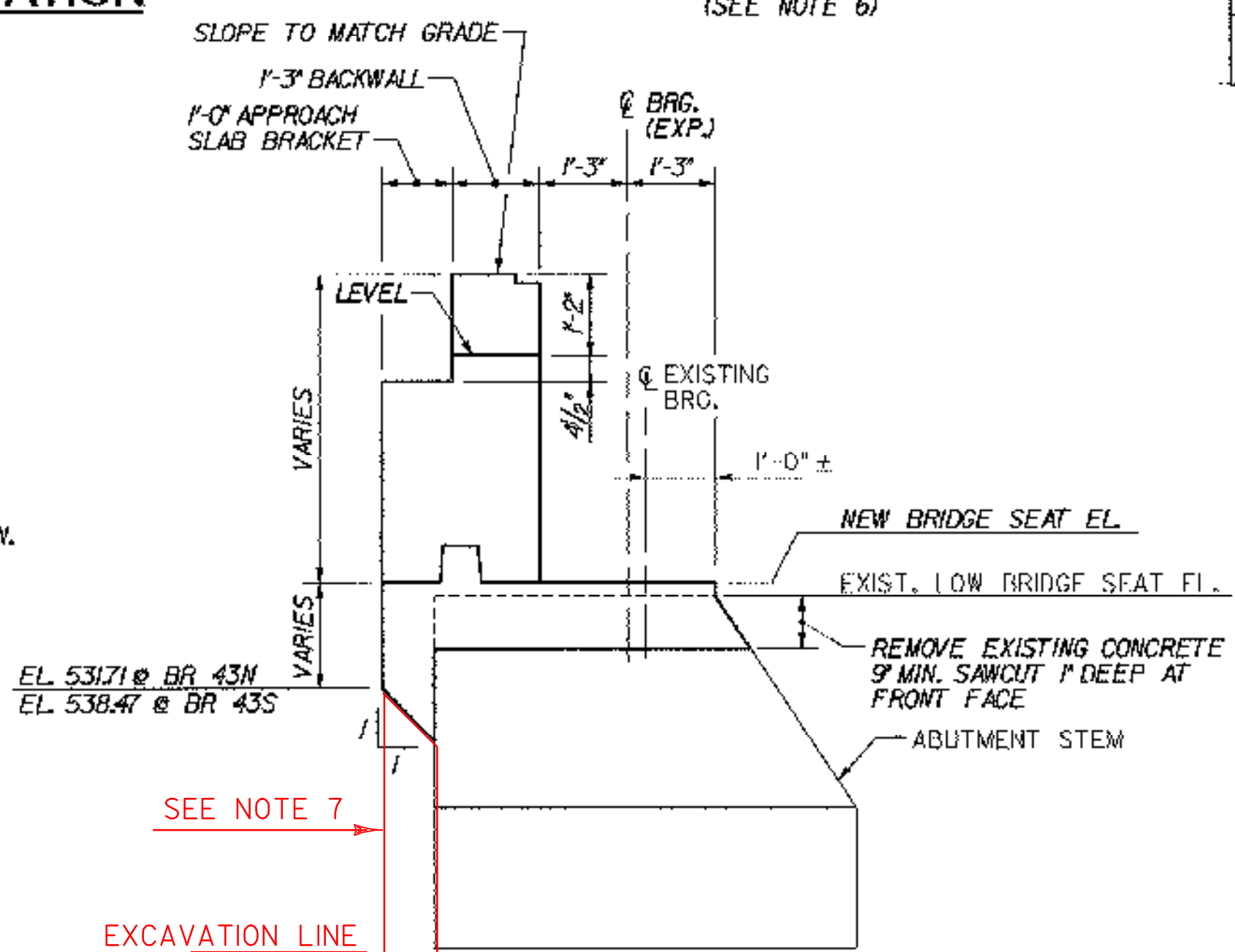
ABUTMENT 2 ELEVATION

SCALE: 1/4"=1'-0"



SECTION C-C

SCALE: 1/2"=1'-0"



SECTION D-D

SCALE: 1/2"=1'-0"

NOTE: FOR SECTIONS A-A AND B-B, SEE ABUTMENT MASONRY (43N), BRIDGE SHEET BR43-11.

NOTES:

- CONSTRUCTION JOINT LOCATED AT STEP IN BRIDGE SEAT. LOCATION SHALL BE REVISED AS DIRECTED BY THE RESIDENT ENGINEER AS REQUIRED TO MATCH ANY CONSTRUCTION JOINT IN THE EXISTING ABUTMENT STEM.
- FOR WINGWALL AND CHEEKWALL DIMENSIONS, DETAILS AND ELEVATIONS, SEE TYPICAL WINGWALL DETAILS, BRIDGE SHEETS C-43 AND C-44.
- BACKWALL ELEVATIONS SHOWN AT FRONT FACE OF BACKWALL.
- FOR ABUTMENT REINFORCEMENT DETAILS, SEE TYPICAL EXPANSION ABUTMENT REINFORCEMENT, BRIDGE SHEET C-40, AND TYPICAL FIXED ABUTMENT REINFORCEMENT, BRIDGE SHEET C-41.
- STEPS IN BRIDGE SEATS SHALL BE EQUIDISTANT BETWEEN STRINGERS.
- REPAIR ALL EXISTING SPALLED AND DELAMINATED AREAS ON ABUTMENT. SEE EXISTING SUBSTRUCTURE CONDITION, BRIDGE SHEETS SC-1 THROUGH SC-4 FOR APPROXIMATE CONDITION OF EXISTING SUBSTRUCTURES. FOR CONCRETE REPAIR DETAILS, SEE SUBSTRUCTURE REPAIR DETAILS AND NOTES, BRIDGE SHEET C-45.

7. BRIDGE 43N ONLY: CONTRACTOR FOR EASE OF FORMING, FORMED THE BACK OF ABUTMENT #2 STRAIGHT DOWN TO THE BOTTOM OF THE EXCAVATION. THEY INSTALLED EXTRA REBAR IN THE AREA. ALL MATERIAL AND LABOR WAS AT THE EXPENSE OF THE CONTRACTOR.

**STATE OF VERMONT
AGENCY OF TRANSPORTATION**

Town Of	MIDDLESEX-BOLTON	Bridge No.	43S
Highway No.	1-89	Log Sta.	
		Surv. Sta.	
1-89 SB OVER U.S. ROUTE 2			
ABUTMENT MASONRY (43S)			
Designed By	P.W. SZUSTAK	Drawn By	R.A. BOTZENHART
Checked By	J.P. HALSTEAD	Bridge Design Supervisor	J.P. HALSTEAD
Date	10/99	Date	10/99
PROJECT	MIDDLESEX-BOLTON	PROJECT NO.	IM-089-2(26)
TVGA CAD Drawing No.	43abrac	Date	10/99
Bridge Sheet No.	BR43-12	Sheet	58 of 307

