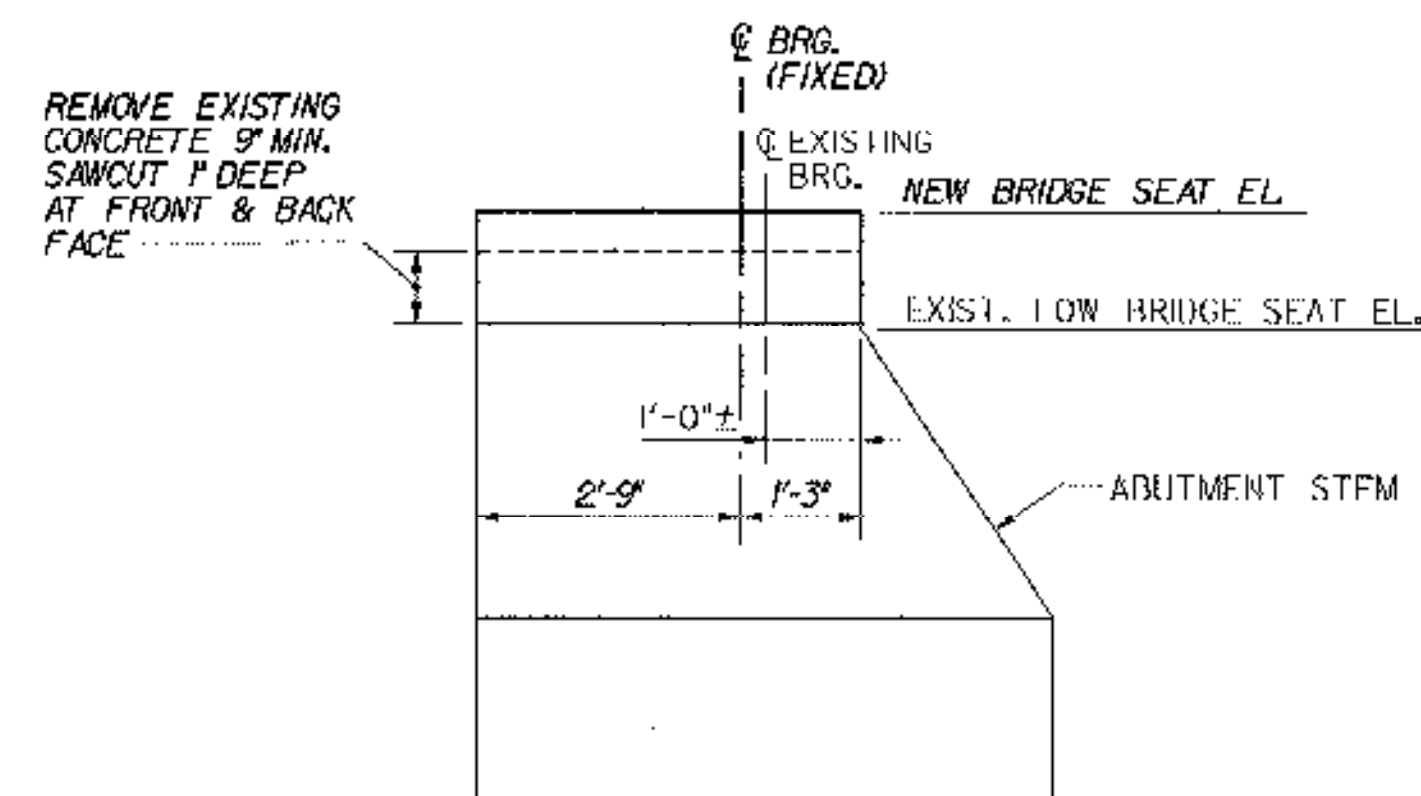
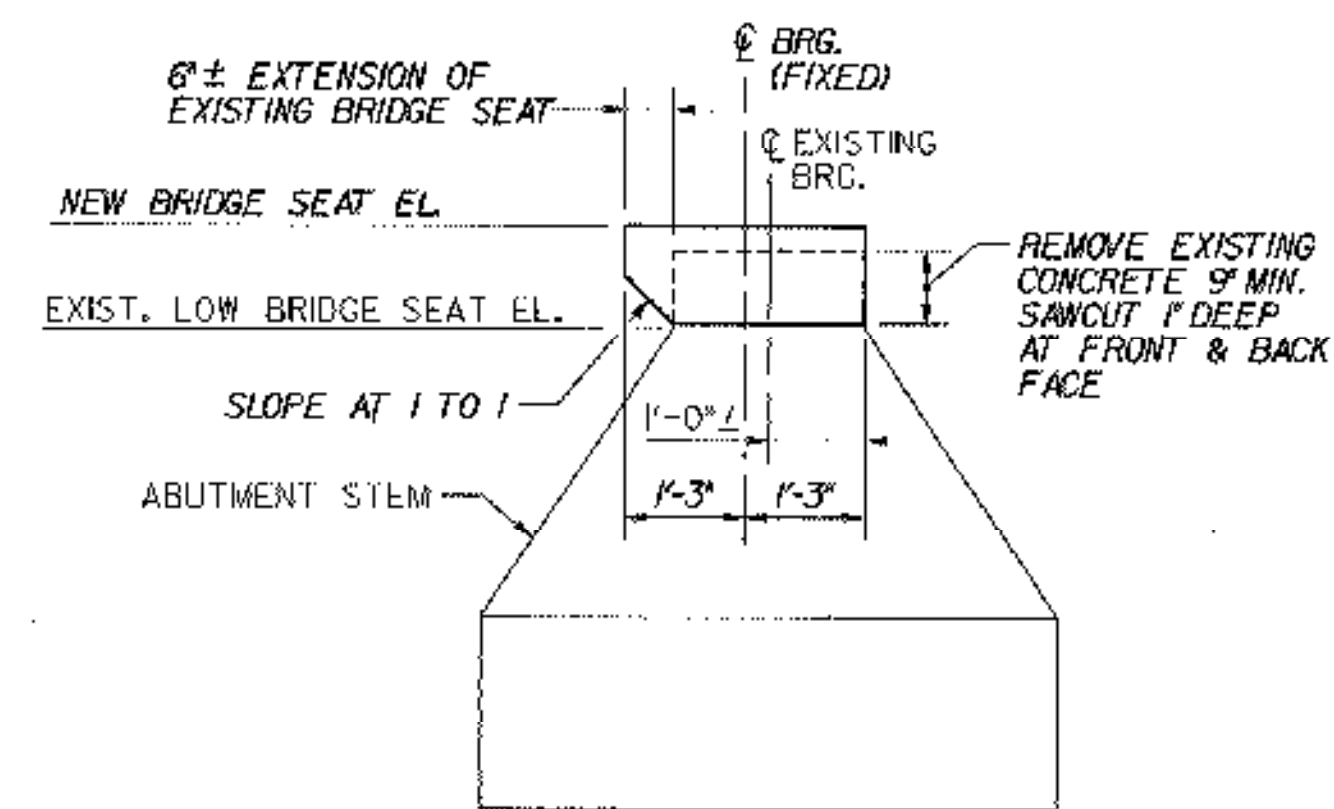
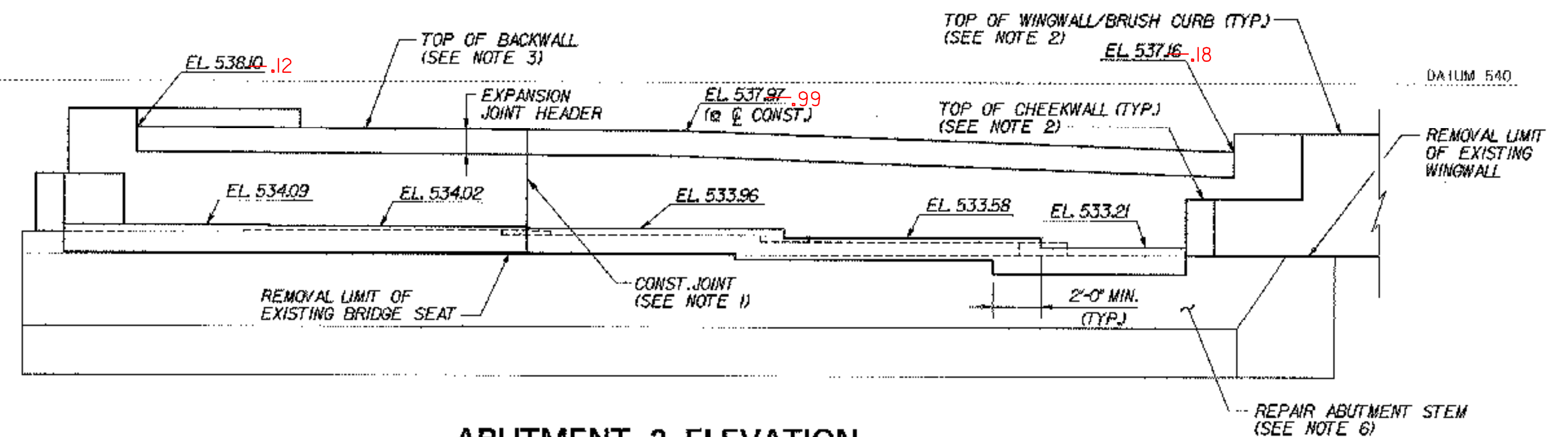
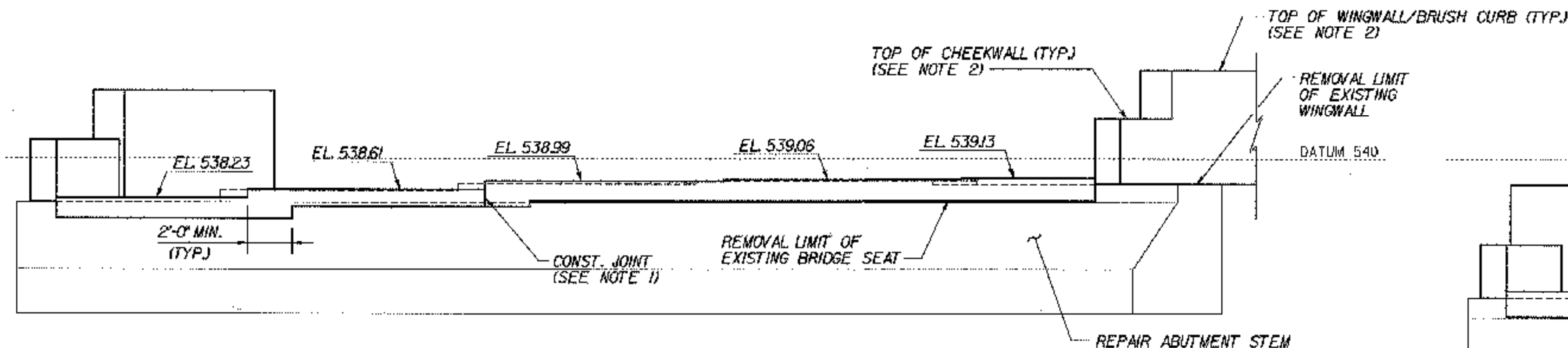
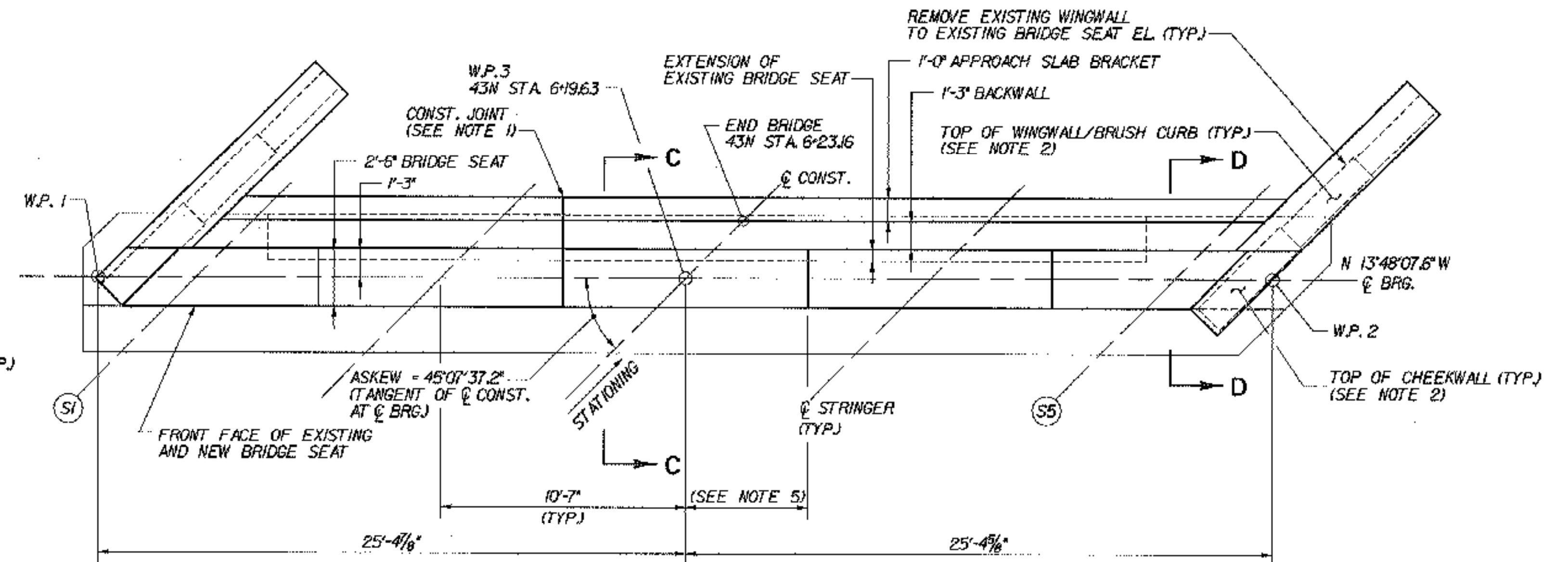
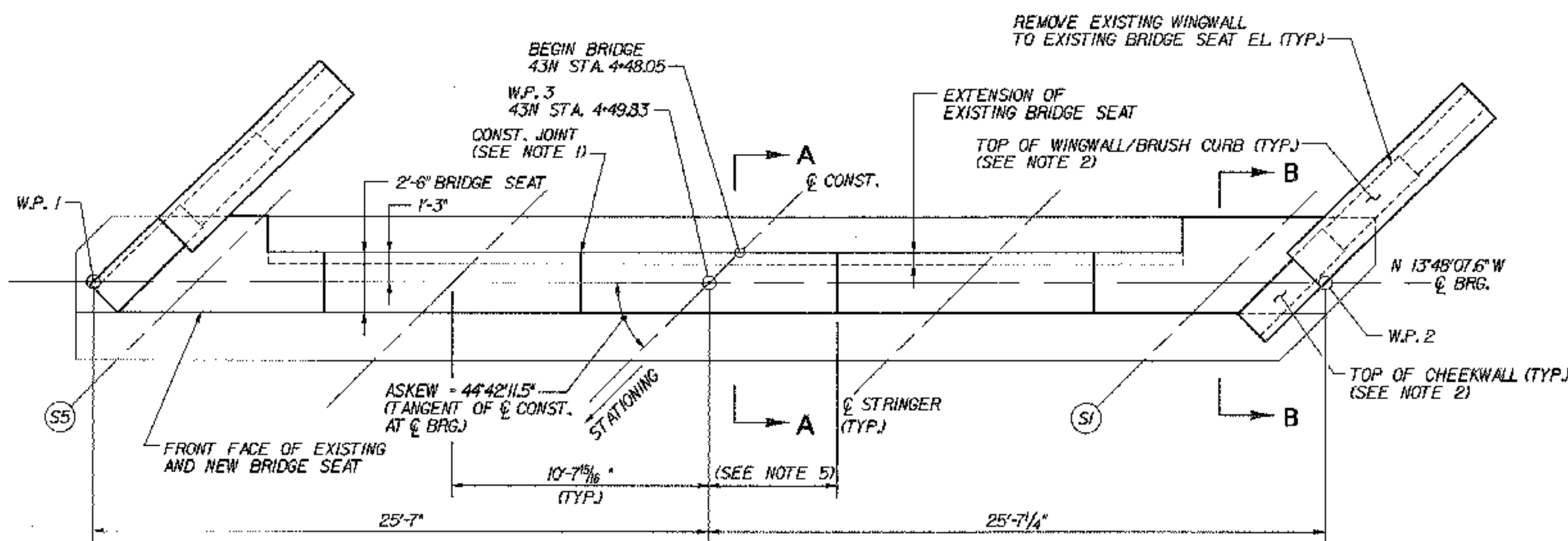


NOTE: RAISED 43N FIN. GR. - 1/4"



NOTE: FOR SECTIONS C-C AND D-D, SEE ABUTMENT MASONRY (43S), BRIDGE SHEET BR43-12.

NOTES:

- CONSTRUCTION JOINT LOCATED AT STEP IN BRIDGE SEAT. LOCATION SHALL BE REVISED AS DIRECTED BY THE RESIDENT ENGINEER AS REQUIRED TO MATCH ANY CONSTRUCTION JOINT IN THE EXISTING ABUTMENT STEM.
- FOR WINGWALL AND CHEEKWALL DIMENSIONS, DETAILS AND ELEVATIONS, SEE TYPICAL WINGWALL DETAILS, BRIDGE SHEETS C-43 AND C-44.
- BACKWALL ELEVATIONS SHOWN AT FRONT FACE OF BACKWALL.
- FOR ABUTMENT REINFORCEMENT DETAILS, SEE TYPICAL EXPANSION ABUTMENT REINFORCEMENT, BRIDGE SHEET C-40, AND TYPICAL FIXED ABUTMENT REINFORCEMENT, BRIDGE SHEET C-41.
- STEPS IN BRIDGE SEATS SHALL BE EQUIDISTANT BETWEEN STRINGERS.
- REPAIR ALL EXISTING SPALLED AND DELAMINATED AREAS ON ABUTMENT. SEE EXISTING SUBSTRUCTURE CONDITION, BRIDGE SHEETS SC-1 THROUGH SC-4 FOR APPROXIMATE CONDITION OF EXISTING SUBSTRUCTURES. FOR CONCRETE REPAIR DETAILS, SEE SUBSTRUCTURE REPAIR DETAILS AND NOTES, BRIDGE SHEET C-45.

**STATE OF VERMONT
AGENCY OF TRANSPORTATION**

Town Of	MIDDLESEX-BOLTON	Bridge No.	43N
Highway No.	I-89	Log Sta.	
		Surv. Sta.	
I-89 NB OVER U.S. ROUTE 2			
ABUTMENT MASONRY (43N)			
Designed By	P.W. SZUSTAK	Drawn By	R.A. BOTZENHART
Checked By	J.P. HALSTEAD	Date	10/99
		Bridge Design Supervisor	J.P. HALSTEAD
		Date	10/99
PROJECT	MIDDLESEX-BOLTON	PROJECT NO.	IM-089-2(26)
TVGA CAD Drawing No.	43abmas	Date	10/99
Bridge Sheet No.	BR43-11	Sheet	57 of 307