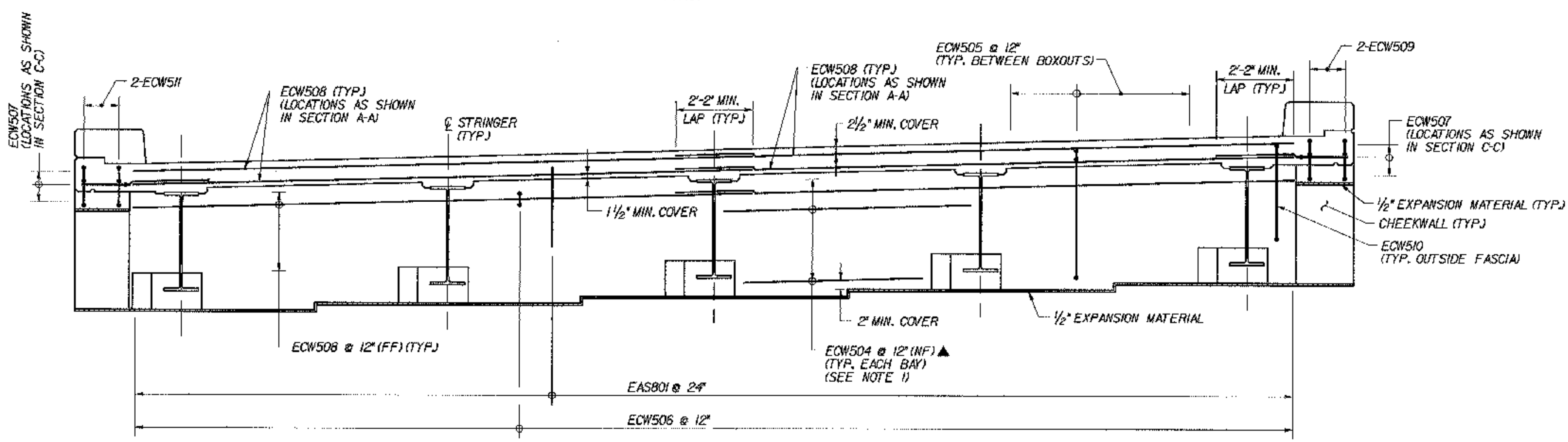
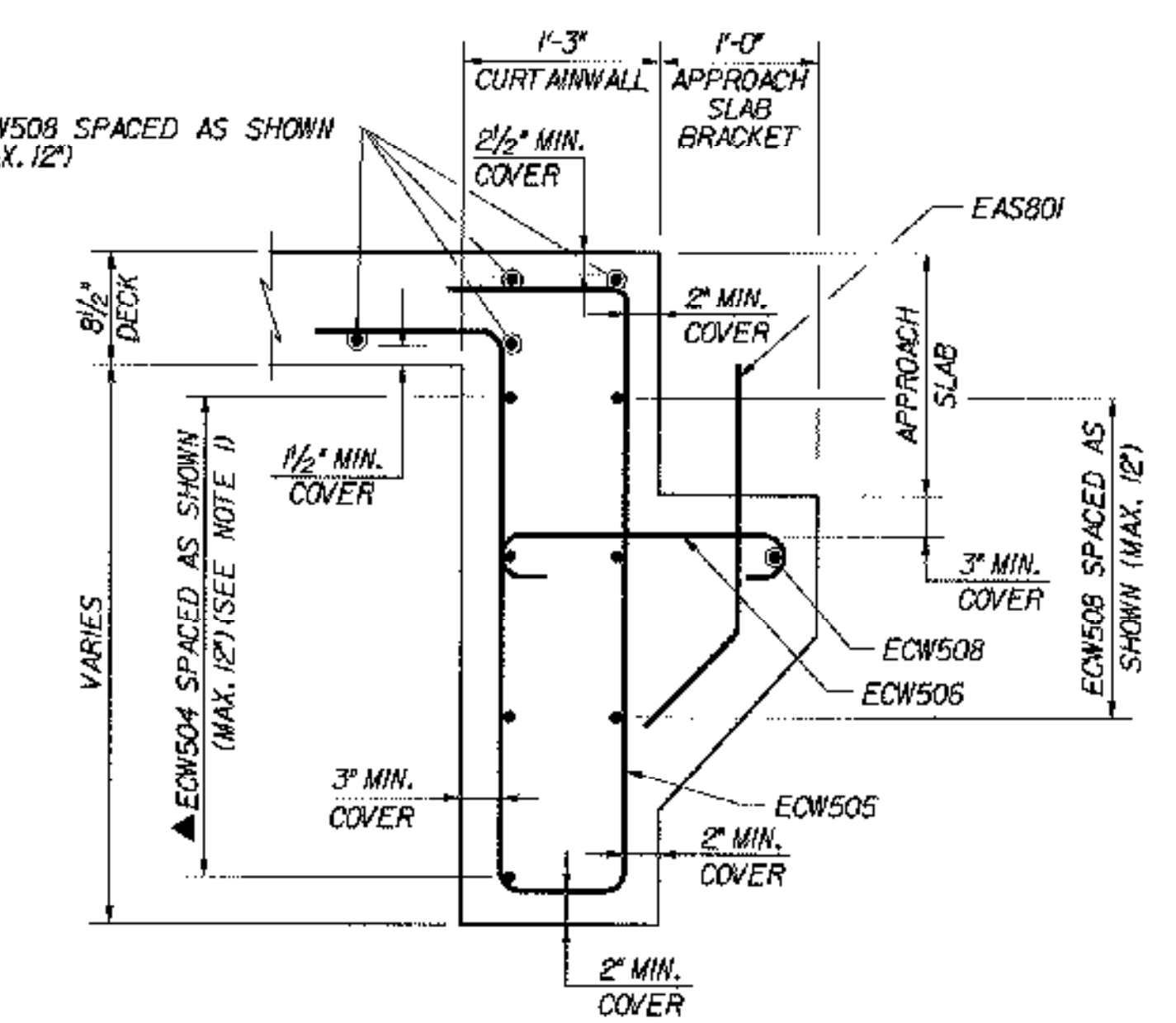


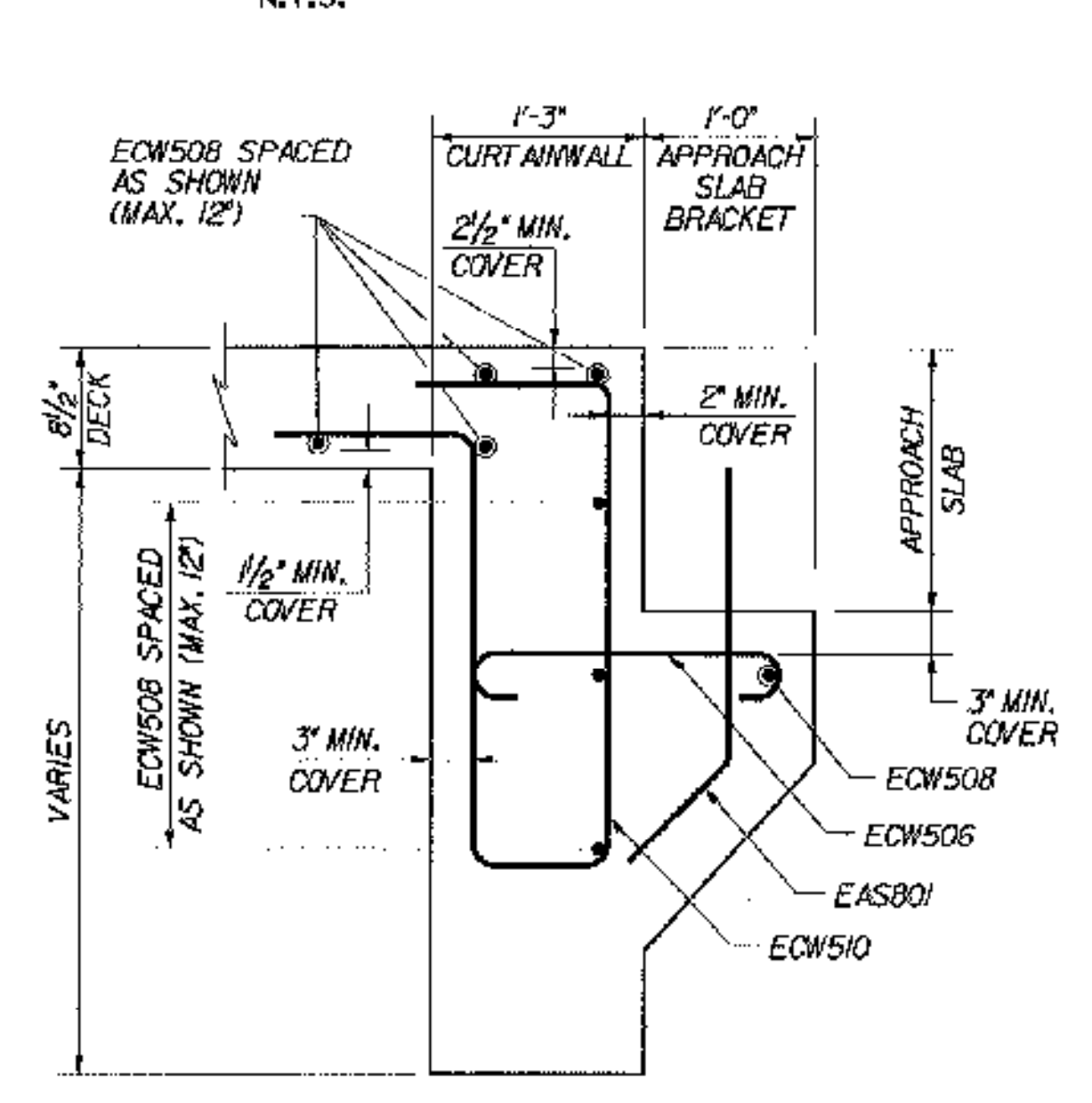
CURTAINWALL REINFORCEMENT PLAN
N.T.S.



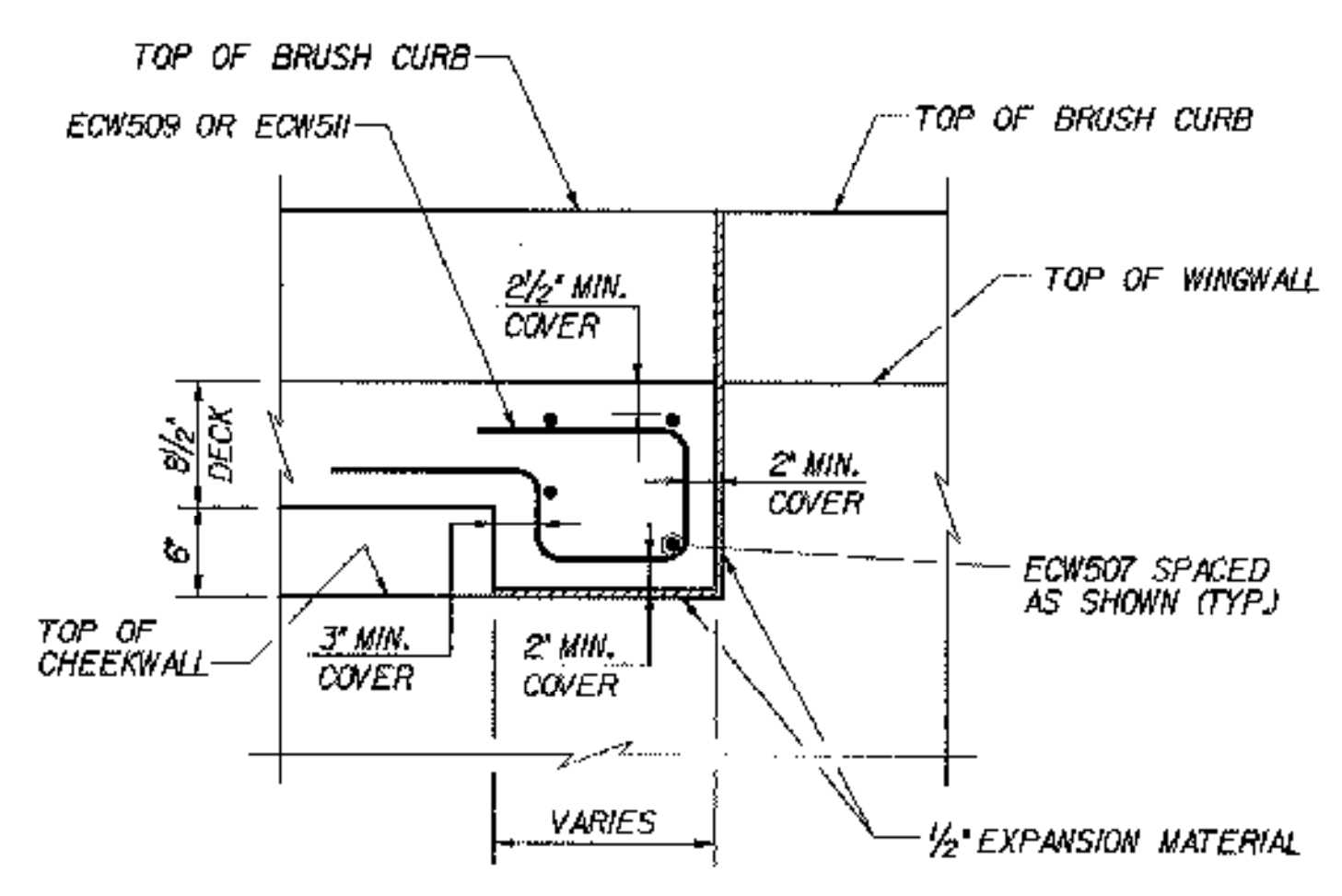
CURTAINWALL ELEVATION
N.T.S.



SECTION A-A
N.T.S.

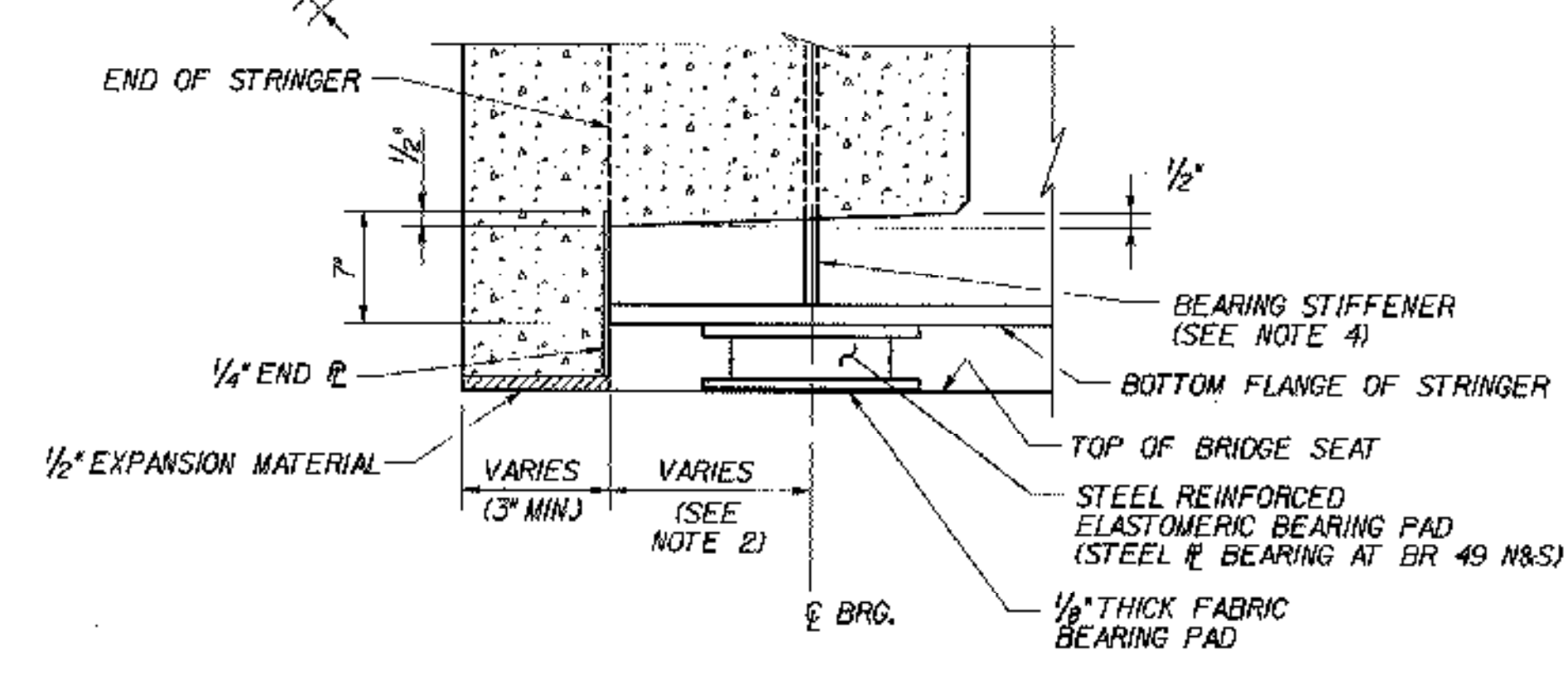
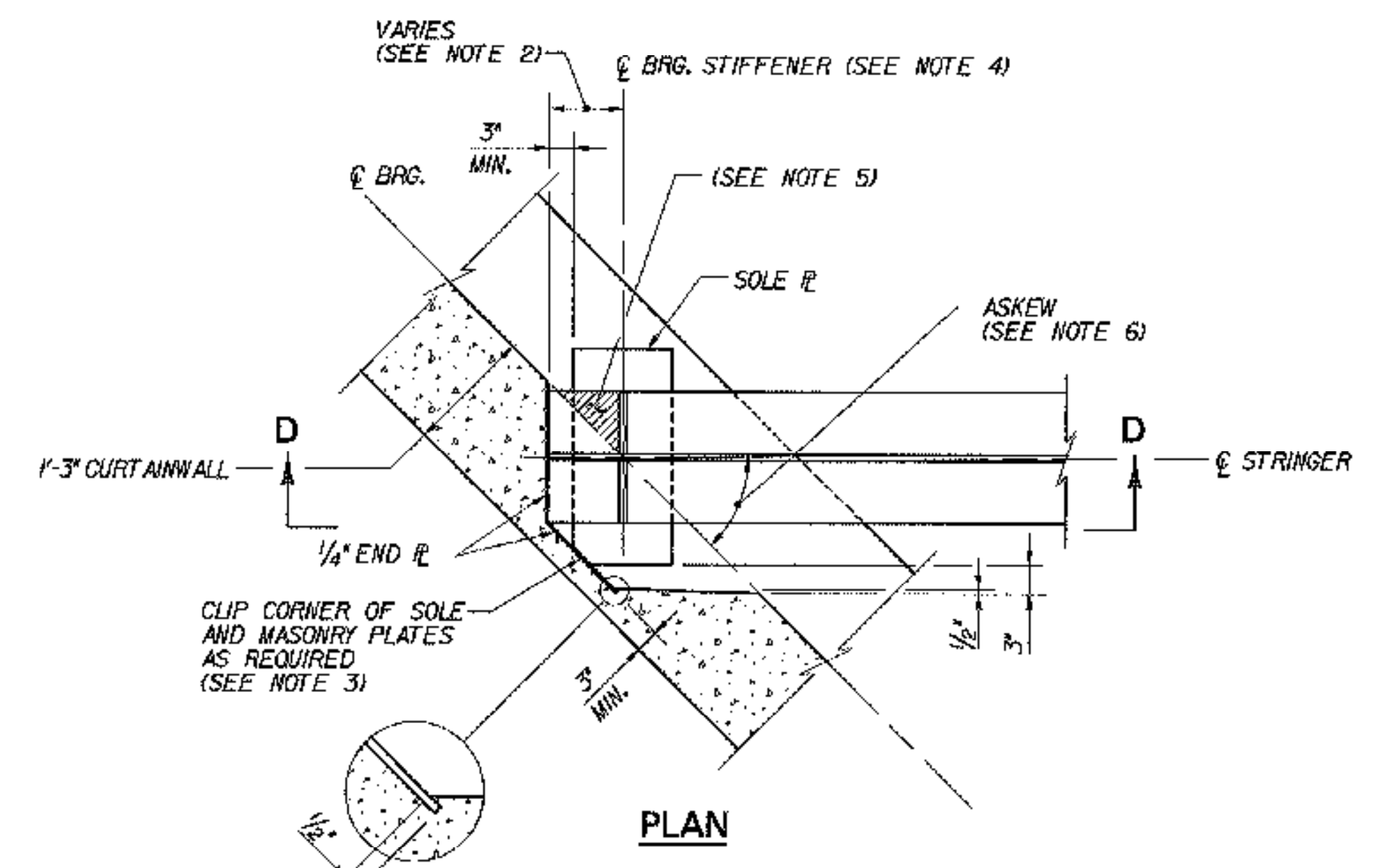


SECTION B-B
N.T.S.



SECTION C-C
N.T.S.

- KEY**
- NF NEAR FACE
 - FF FAR FACE
 - EF EACH FACE
 - ▲ REINFORCEMENT TO BE CUT TO FIT IN THE FIELD



SECTION D-D
STRINGER BOXOUT DETAILS
N.T.S.

NOTES:

1. CUT BOTTOM ECW504 BARS TO FIT BETWEEN BOXOUTS.
2. THE DISTANCE FROM ϕ BEARING TO END OF STRINGER VARIES AT EACH BRIDGE. FOR THE DIMENSION AT BRIDGES 43, 48, 50 AND 54, SEE THE STRINGER ELEVATION FOR EACH BRIDGE. FOR THE DIMENSION AT BRIDGE 49, SEE TRANSVERSE SECTION (49N&S), BRIDGE SHEET BR49-4.
3. SOLE AND MASONRY PLATES MAY REQUIRE ONE CORNER TO BE CLIPPED TO CLEAR CURTAINWALL. FOR DETAILS AND DIMENSIONS OF THE CLIP, SEE FIXED BEARING DETAILS, BRIDGE SHEET C-2L.
4. BEARING STIFFENER REQUIRED FOR PLATE GIRDER BRIDGES ONLY.
5. WHEN A BEARING STIFFENER IS REQUIRED, THE SHADED AREA (ABOVE THE BOXOUT) SHALL BE CONCRETE POURED CONTINUOUSLY WITH THE CURTAINWALL.
6. THE ASKEW ANGLE VARIES AT EACH SUBSTRUCTURE LOCATION. SEE THE ABUTMENT MASONRY DRAWINGS FOR EACH BRIDGE.

STATE OF VERMONT	
AGENCY OF TRANSPORTATION	
Town Of MIDDLESEX-BOLTON	Bridge No.
Highway No. I-89	Log Sta.
	Surv. Sta.
TYPICAL CURTAINWALL DETAILS	
Designed By P.W. SZUSTAK	Drawn By R.A. BOTZENHART
Checked By J.P. HALSTEAD	Bridge Design Supervisor
Date 10/99	Date 10/99
PROJECT MIDDLESEX-BOLTON	PROJECT NO. IM-089-2(26)
TVGA CAD Drawing No. curtain	Date 10/99
Bridge Sheet No. C-42	Sheet 42 of 307

