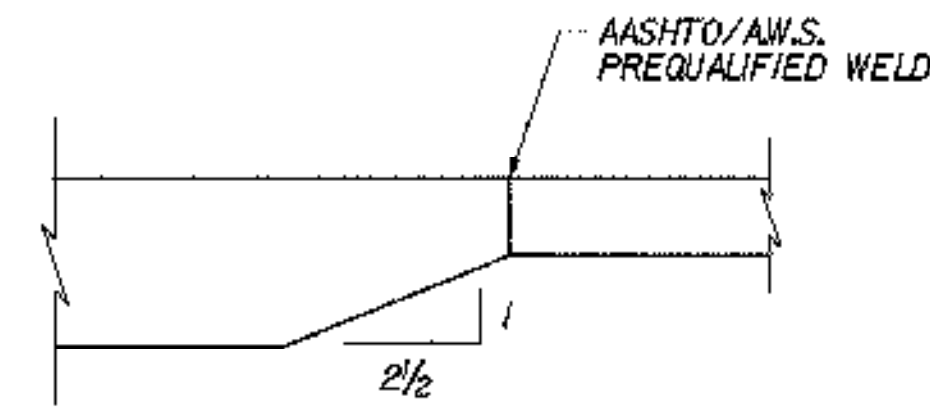
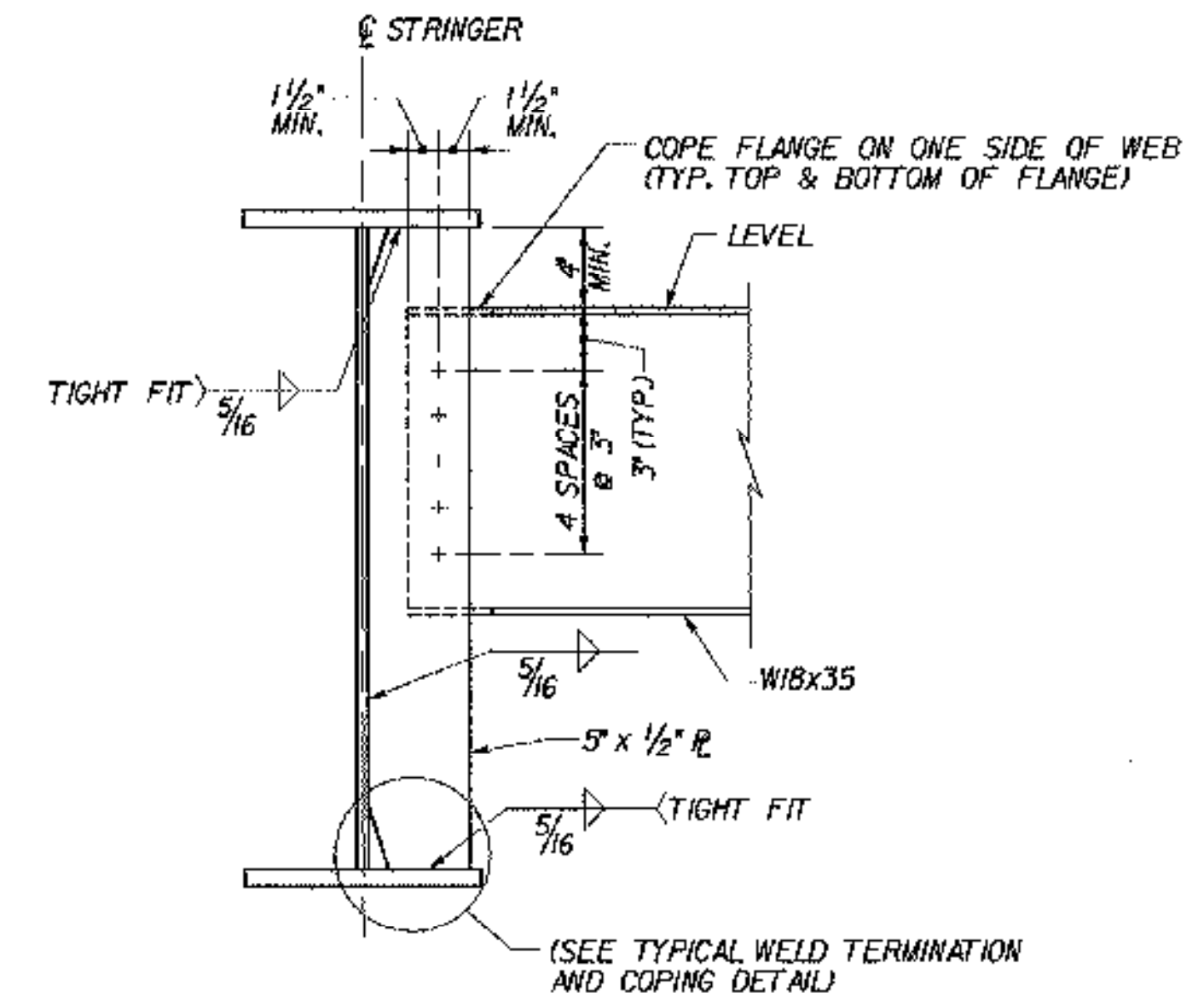


**TYPICAL WELD TERMINATION AND COPING DETAIL**  
 (PLATE GIRDER SHOWN - SIMILAR FOR ROLLED BEAM)  
 N.T.S.

X NO WELD PLACED FOR 1/4" MIN. 1/2" MAX.  
 (EXCEPT MUST MAINTAIN 1" MINIMUM FROM EDGE OF FLANGE)



**FLANGE BUTT SPLICE DETAIL**  
 N.T.S.



**INTERMEDIATE DIAPHRAGM CONNECTION**  
 N.T.S.

TOP FLANGE COPE		
BRIDGE	LOCATION	"A"
48N	ABUT. 2	4"
48S	ABUT. 1	3 3/8"
50N	ABUT. 2	7 3/8"
50S	ABUT. 1	8 3/16"
51N	ABUT. 2	8 1/8"
51S	ABUT. 1	8 1/4"

(SEE NOTE 1)

**NOTES:**

- FOR LAYOUT OF FLANGE COPE, SEE "PLAN AT EXPANSION ABUTMENTS" DETAIL, ON TYPICAL PLATE GIRDER DETAILS (1 OF 2), BRIDGE SHEET C-17.
- FOR DRIP PLATE DETAIL, SEE TYPICAL BRIDGE DETAILS, BRIDGE SHEET C-46.

**STATE OF VERMONT  
 AGENCY OF TRANSPORTATION**

Town Of	MIDDLESEX-BOLTON	Bridge No.	
Highway No.	I-89	Log Sta.	
		Surv. Sta.	

**TYPICAL PLATE GIRDER DETAILS (2 OF 2)**

Designed By	P.W. SZUSTAK	Drawn By	R.A. BOTZENHART
Checked By	J.P. HALSTEAD	Date	10/99
		Bridge Design Supervisor	J.P. HALSTEAD
		Date	10/99

PROJECT	MIDDLESEX-BOLTON	PROJECT NO.	IM-089-2(26)
---------	------------------	-------------	--------------

**TVA** TVGA ENGINEERING,  
 SURVEYING, P. C.

TVGA CAD Drawing No.	g1rdrde2	Date	10/99
Bridge Sheet No.	C-18	Sheet	18 of 307