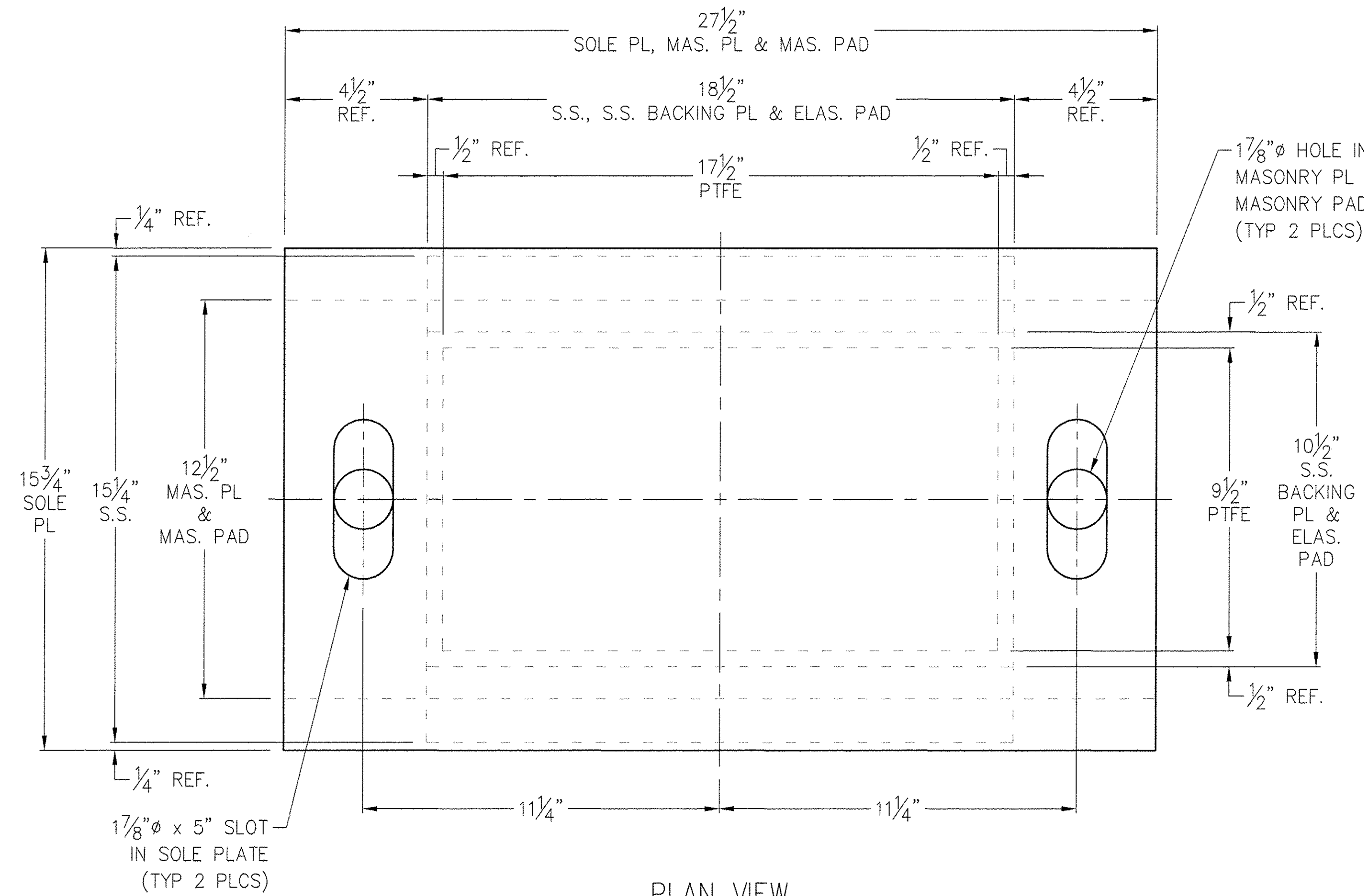
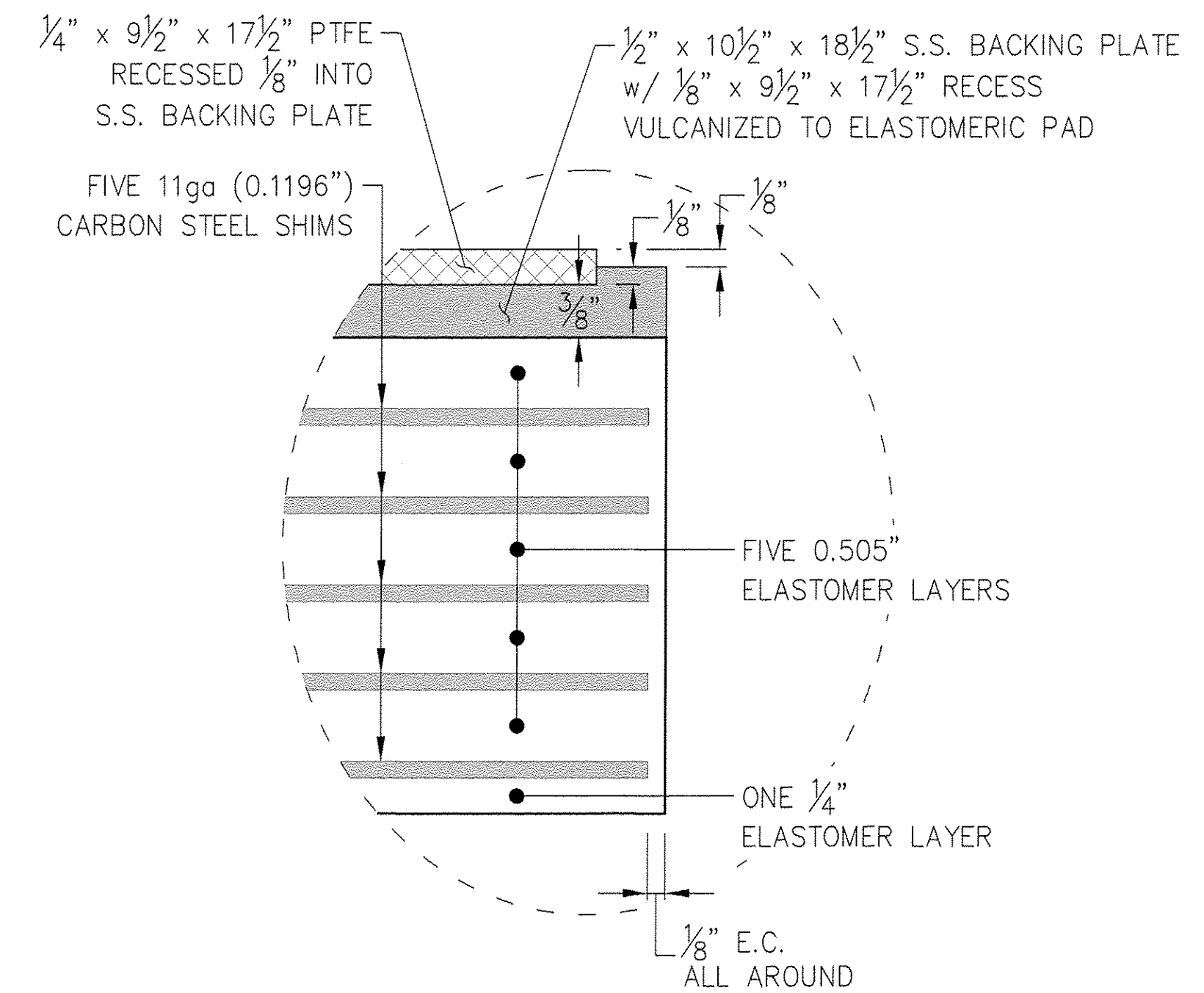


GENERAL NOTES:

SEE SHEET 1

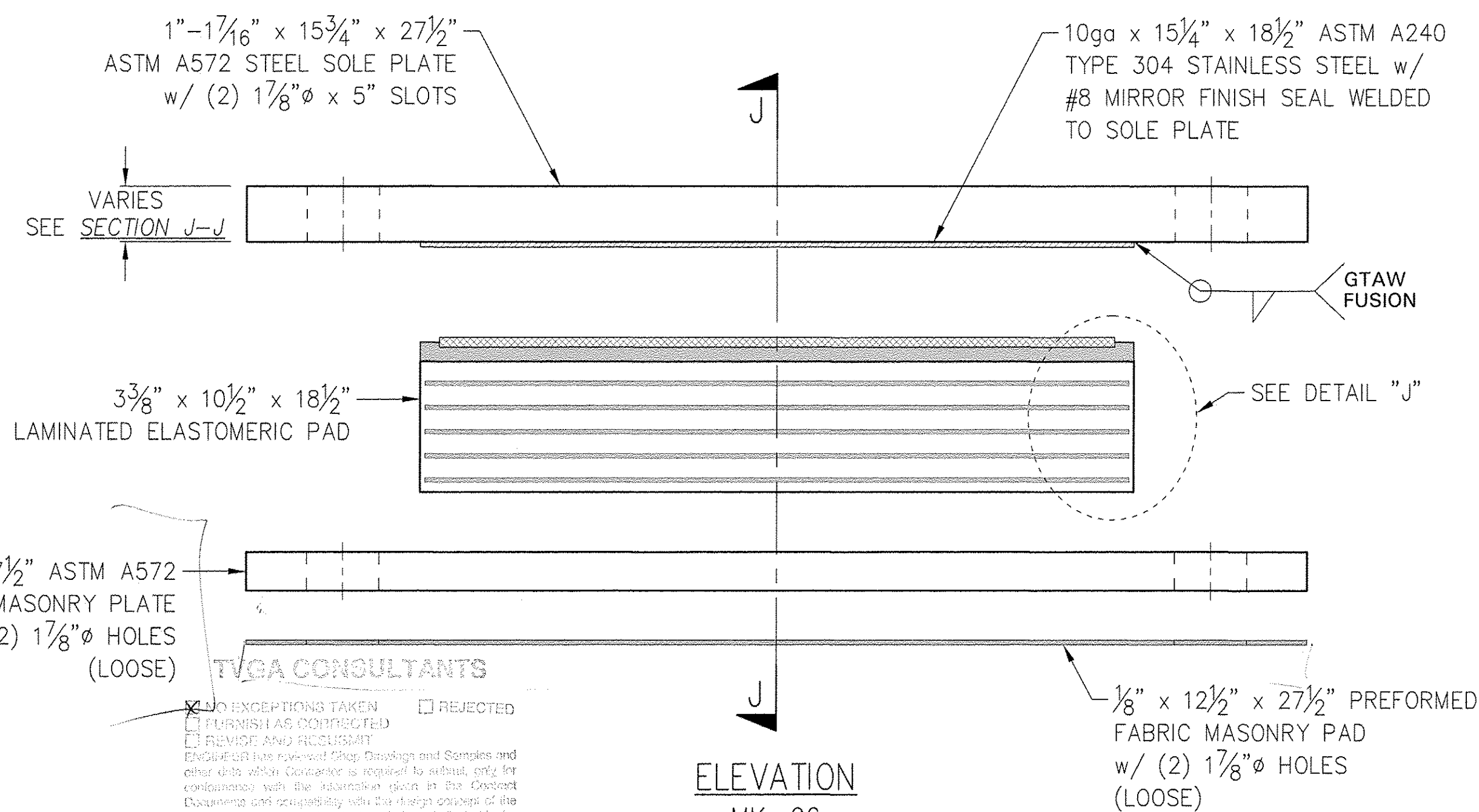


PLAN VIEW



DETAIL "J"

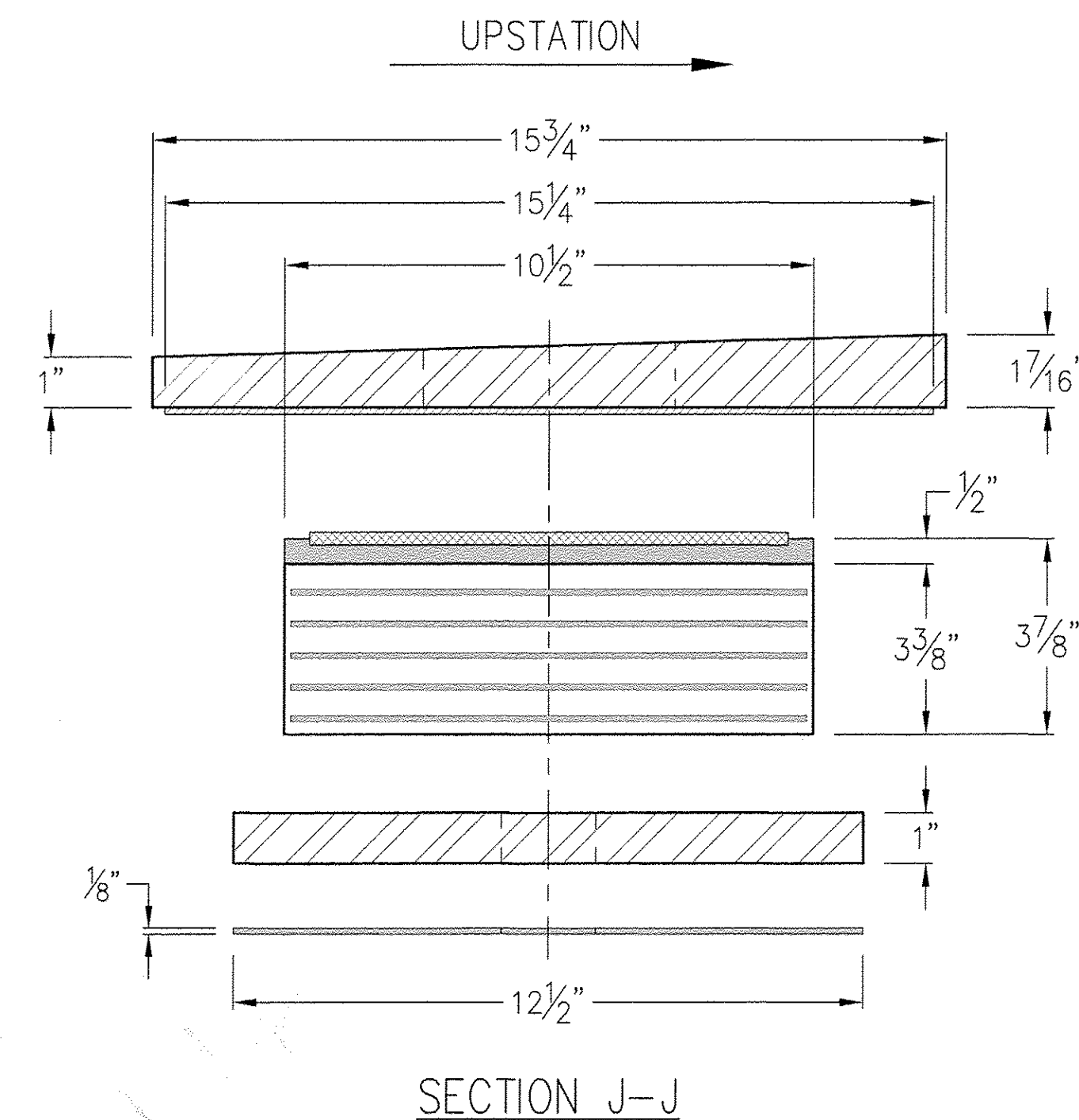
SEE SHEET 8 FOR ANCHOR BOLT AND WASHER DETAILS



ELEVATION

MK. 06  
BRIDGE 3S  
PIERS 1 & 2  
EXPANSION BEARING - ELASTOMERIC  
(10) REQ'D

TVCA CONSULTANTS  
NO EXCEPTIONS TAKEN  
REVISIONS AS NOTED  
REVISION AND RECALCULATE  
ENGINEER HAS REVIEWED SHOP DRAWINGS AND SAMPLES AND  
OTHER AS TO WHICH CONSIDERATION IS GIVEN TO THE  
CONSTRUCTION WITH THE SUBMITTAL OF THE EXPANSION  
BEARING AND RECALCULATE WITH THE DESIGN OFFICE OF THE  
CONTRACT DOCUMENTS. SUCH REVISIONS SHALL BE MADE TO THE  
DESIGN, MATERIALS, METHODS, SCHEDULES OR PROVISIONS OF  
CONSTRUCTION OR TO ANY OTHER PARTS AND PROVISIONS OF THE  
CONTRACT DOCUMENTS AS NECESSARY TO CORRECT ERRORS  
OR AMBIGUITIES. CONTRACTOR SHALL BE RESPONSIBLE FOR  
CONSTRUCTION AND FOR THE PERFORMANCE OF THE BEARING.  
DATE: 12/9/08  
BY: James W. Egan



SECTION J-J

SCALE: NTS

REV	DESCRIPTION	DATE	CHK BY	DATE	DWN BY	DATE	DRAWING NO.	SHEET NO.
A	ORIGINAL SHOP DWG ISSUE	11/24/08	DMH	10/6/08	DMH	10/6/08	38627VT-07	7 OF 8
			CW	10/14/08				

Seismic Energy Products, L.P.

STRUCTURAL BEARINGS FOR BRIDGES & BUILDINGS  
518 PROGRESS WAY ATHENS, TEXAS 75751  
PHONE: 903-675-8571 FAX: 903-677-2875

STATE OF VERMONT  
AGENCY OF TRANSPORTATION

CUSTOMER: J.A. McDONALD

P.O. NO: SIGNED QT

TOWN OF GUILFORD	HIGHWAY NO. I-91	BRIDGE NO. 3N & 3S
---------------------	---------------------	-----------------------

PROJECT GUILFORD	PROJECT NO. IM 091-1(33)
---------------------	-----------------------------

I-91 OVER BROAD BROOK  
& BROAD BROOK ROAD  
EXPANSION BEARINGS - ELASTOMERIC