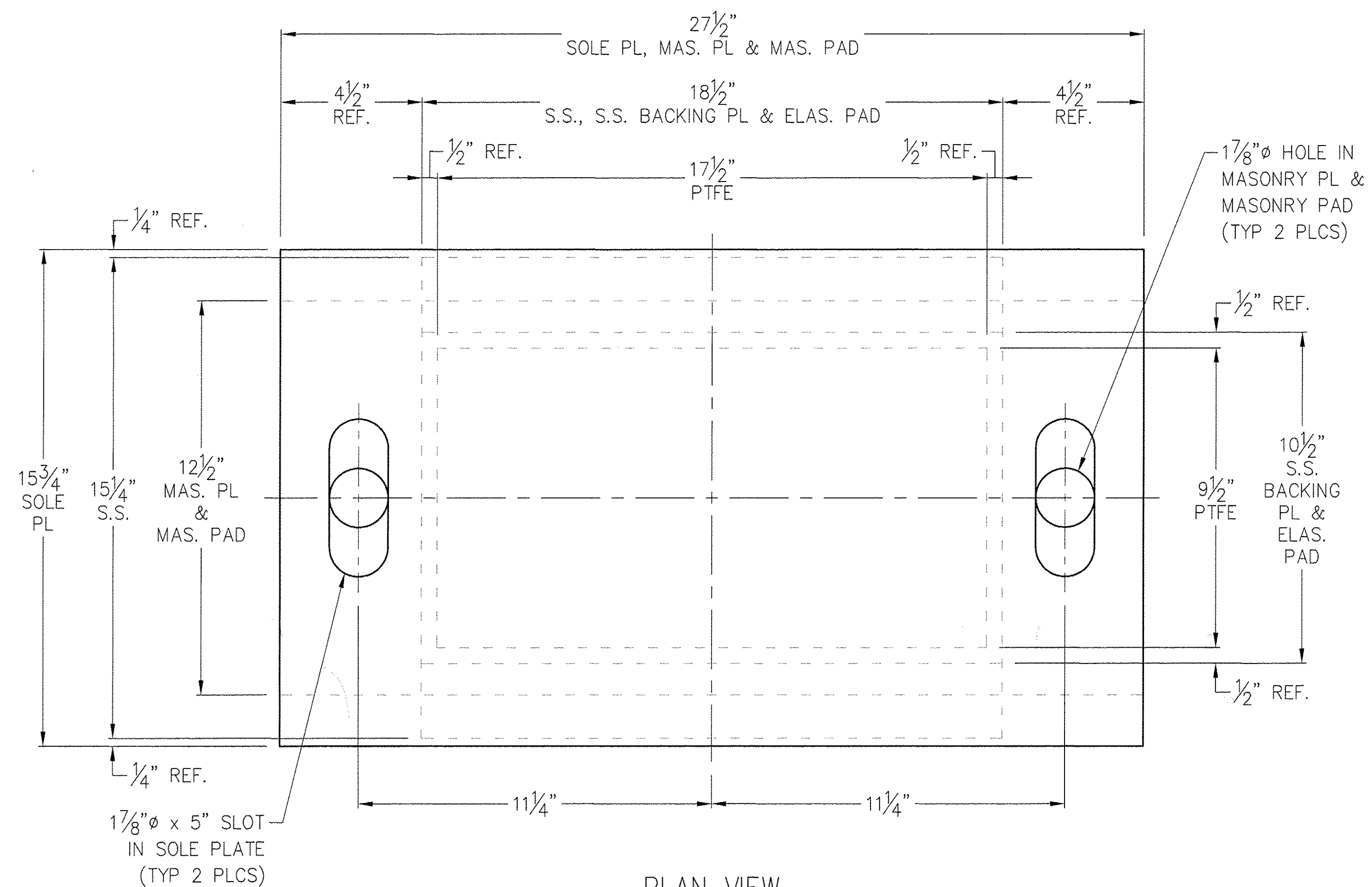
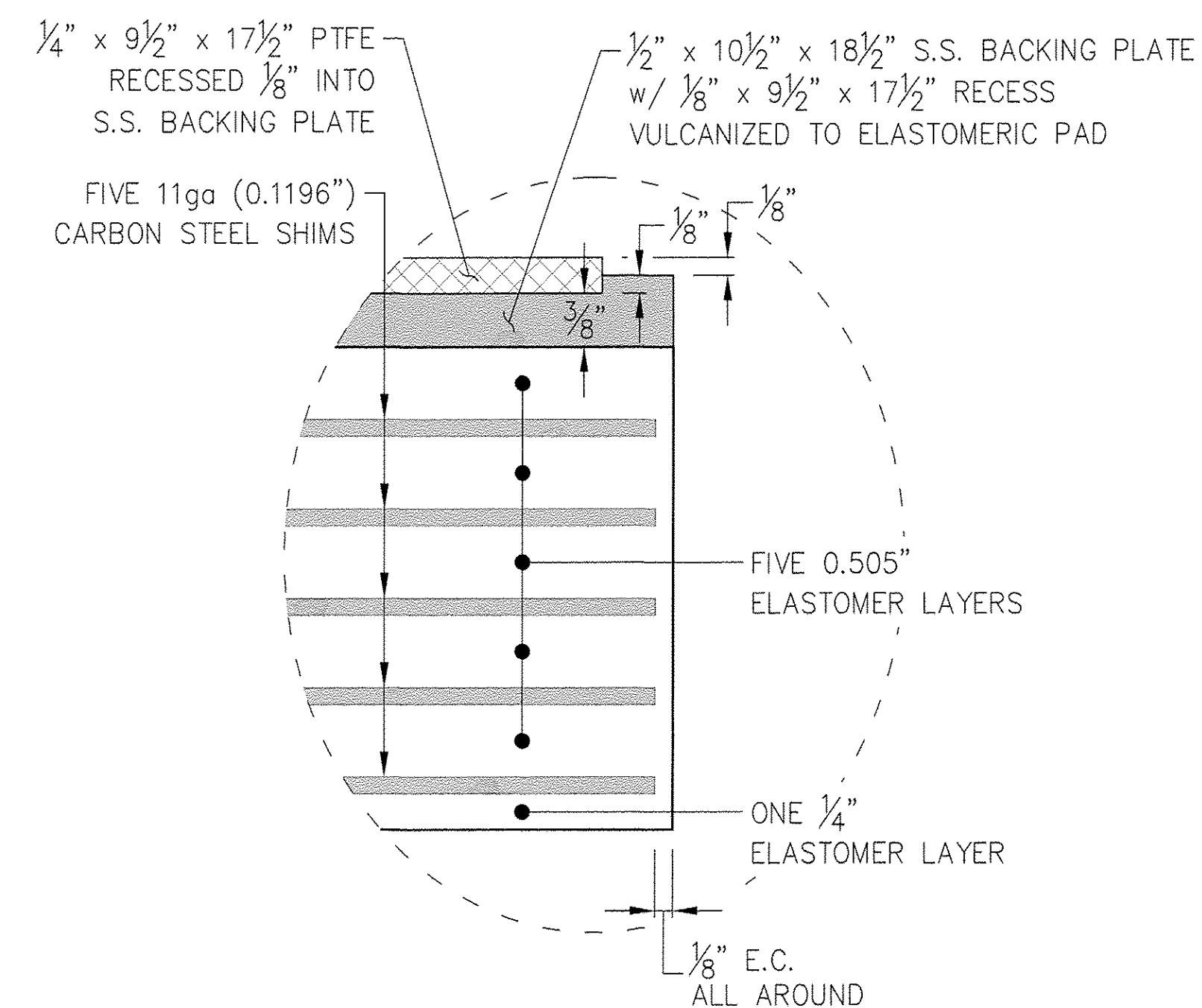


GENERAL NOTES:

SEE SHEET 1

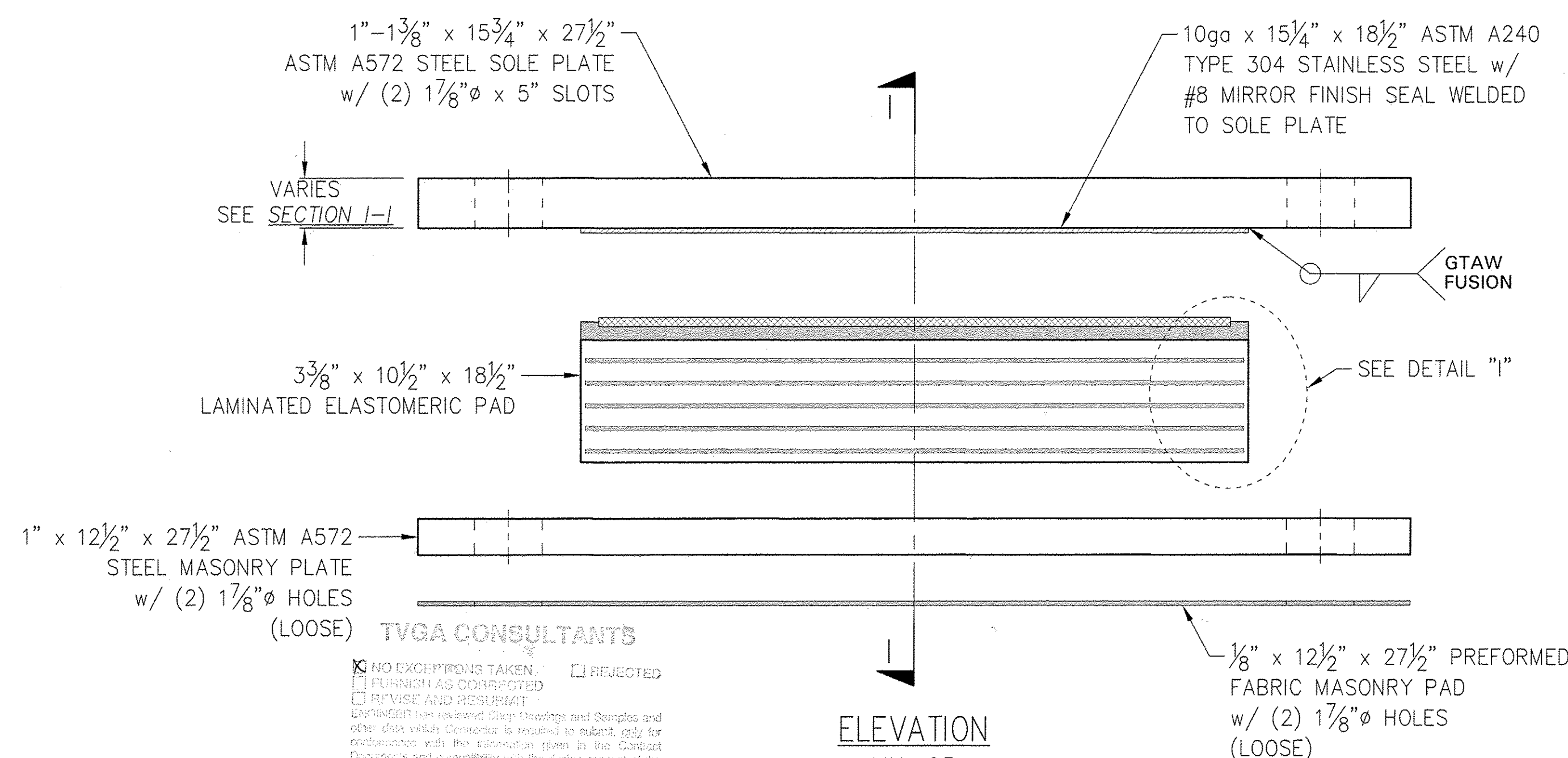


PLAN VIEW



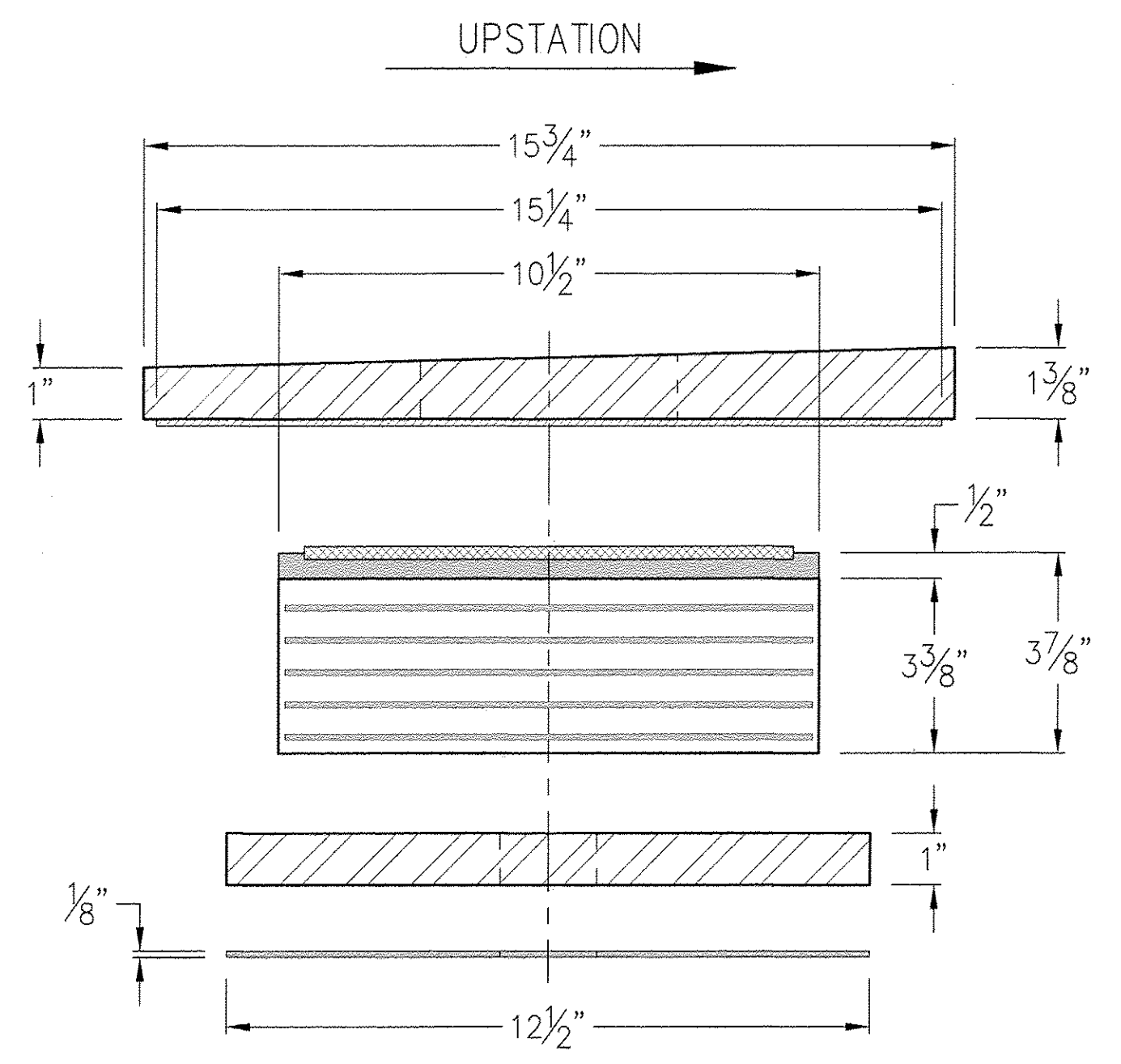
DETAIL "I"

SEE SHEET 8 FOR ANCHOR BOLT AND WASHER DETAILS



ELEVATION

MK. 05
BRIDGE 3N
PIERS 1 & 2
EXPANSION BEARING - ELASTOMERIC
(12) REQ'D



SECTION I-I

SCALE: NTS

REV	DESCRIPTION	DATE	CHK BY	DATE	DWN BY	DATE	DRAWING NO.	SHEET NO.
A	ORIGINAL SHOP DWG ISSUE	11/24/08	DMH	10/6/08	DMH	10/6/08	38627VT-06	6 OF 8
			CW	10/14/08				

Seismic Energy Products, L.P.
STRUCTURAL BEARINGS FOR BRIDGES & BUILDINGS
518 PROGRESS WAY ATHENS, TEXAS 75751
PHONE: 903-675-8571 FAX: 903-677-2875

STATE OF VERMONT AGENCY OF TRANSPORTATION			
CUSTOMER: J.A. McDONALD			
P.O. NO: SIGNED QT			
TOWN OF GUILFORD	HIGHWAY NO. I-91	BRIDGE NO. 3N & 3S	
PROJECT GUILFORD		PROJECT NO. IM 091-1(33)	
I-91 OVER BROAD BROOK & BROAD BROOK ROAD EXPANSION BEARINGS - ELASTOMERIC			
A	ORIGINAL SHOP DWG ISSUE	11/24/08	DWN BY DMH DATE 10/6/08
			CHK BY CW DATE 10/14/08
		DRAWING NO.	SHEET NO.
		38627VT-06	6 OF 8

TVCA CONSULTANTS
NO EXCEPTIONS TAKEN
REJECTED
James W. Support
1/20/09