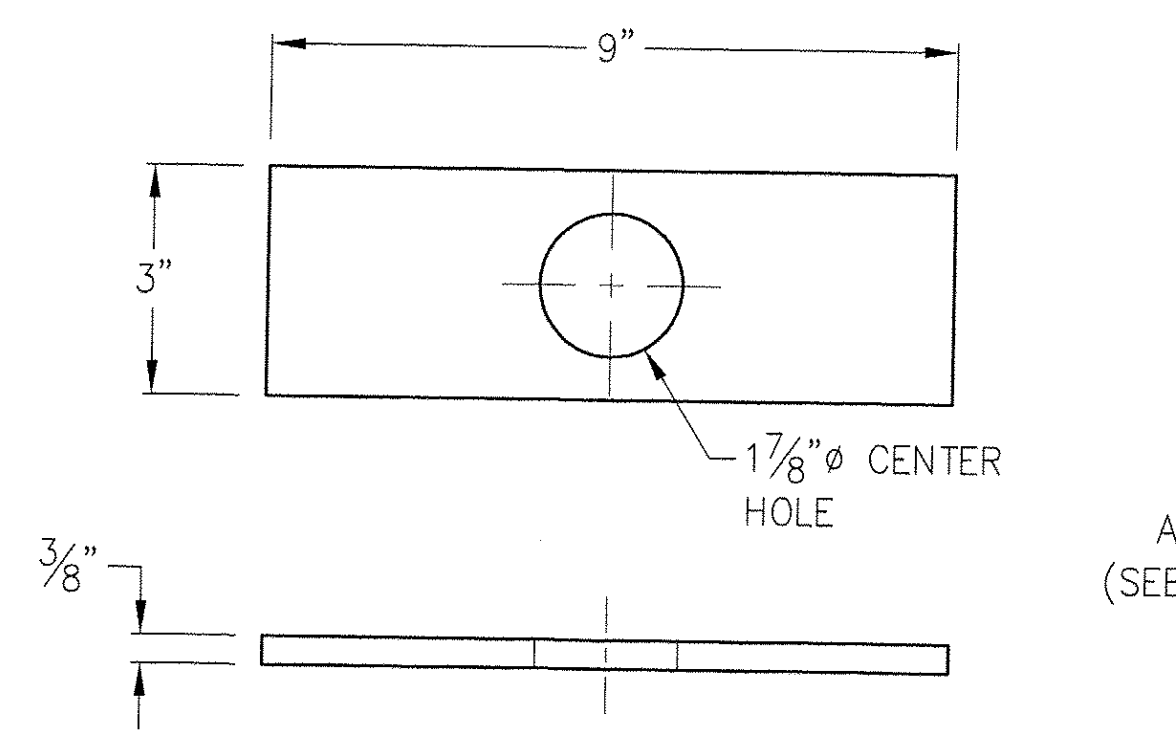
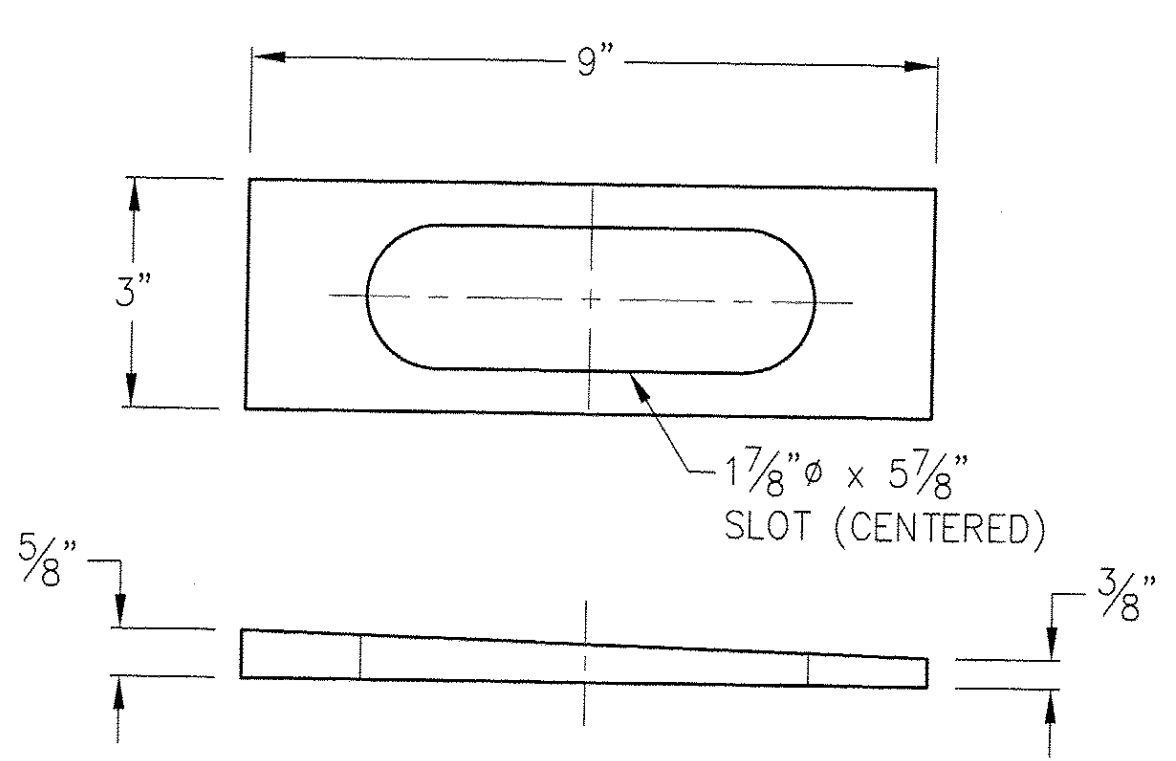


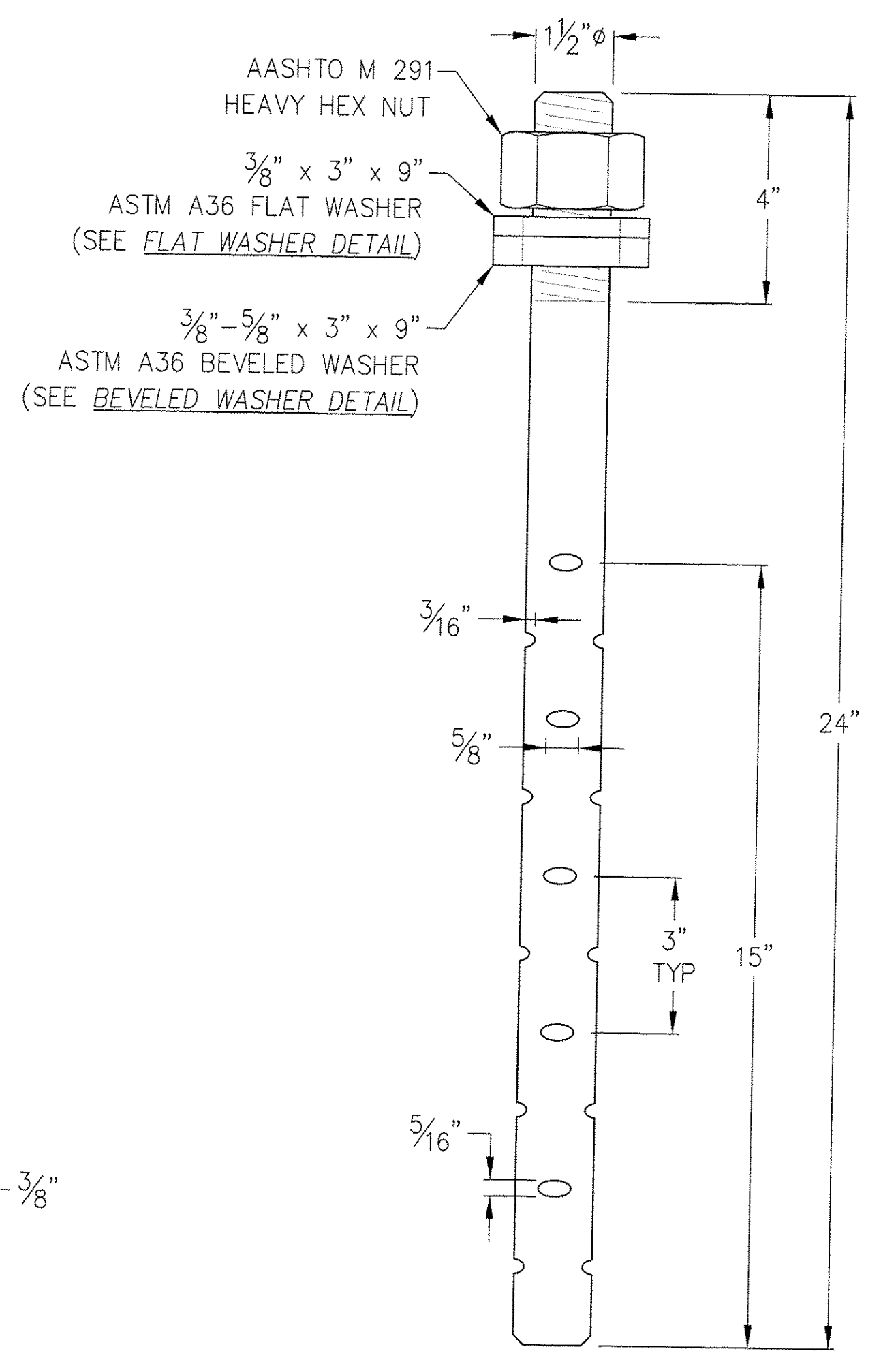
PLAN VIEW



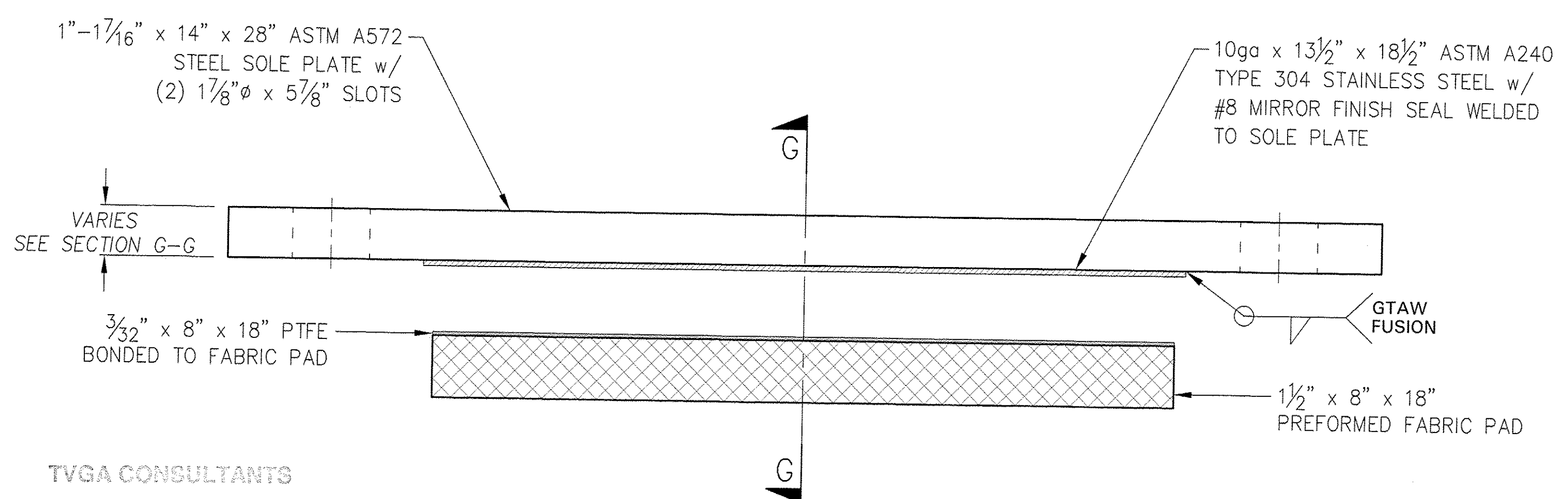
FLAT WASHER DETAIL
3/8" x 3" x 9" ASTM A36 FLAT WASHER



BEVELED WASHER DETAIL
3/8" - 5/8" x 3" x 9" ASTM A36 BEVELED WASHER



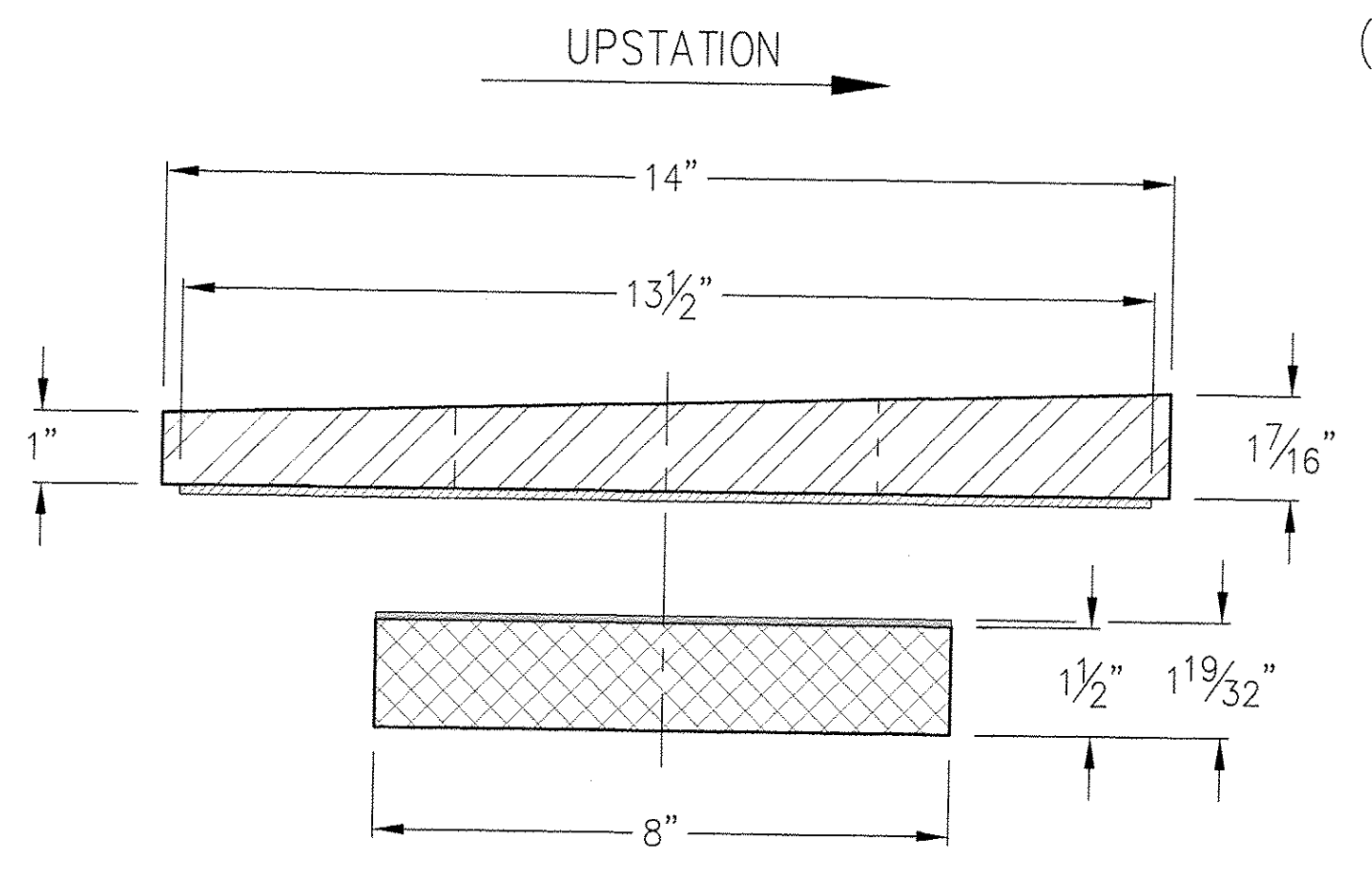
ANCHOR BOLT ASSEMBLY
1 1/2" ϕ x 24" LONG ASTM A307 SWAGED ANCHOR BOLT
w/ (1) AASHTO M 291 HEAVY HEX NUT,
(1) 3/8" x 3" x 9" ASTM A36 FLAT WASHER &
(1) 3/8" - 5/8" x 3" x 9" ASTM A36 BEVELED WASHER
ALL GALVANIZED PER AASHTO M 232
(10) REQ'D FOR MK. 04



ELEVATION

MK. 04
BRIDGE 3S, ABUT 1
GIRDERS S1-S5
EXPANSION BEARING - FABRIC PAD
(5) REQ'D

GENERAL NOTES:
SEE SHEET 1



SECTION G-G

TVGA CONSULTANTS
 NO EXCEPTIONS TAKEN REJECTED
 FURNISH AS CORRECTED
 REVISE AND REQUANT
ENGINEER: [Signature] DATE: 1/20/04

Seismic Energy Products, L.P.
STRUCTURAL BEARINGS FOR BRIDGES & BUILDINGS
518 PROGRESS WAY PHOENIX, ARIZONA 85041
ATHENS, TEXAS 75751 PHONE: 903-675-8571 FAX: 903-677-2875

STATE OF VERMONT AGENCY OF TRANSPORTATION			
CUSTOMER: J.A. McDONALD			
P.O. NO: SIGNED QT			
TOWN OF GUILFORD	HIGHWAY NO. 1-91	BRIDGE NO. 3N & 3S	
PROJECT GUILFORD		PROJECT NO. IM 091-1(33)	
1-91 OVER BROAD BROOK & BROAD BROOK ROAD EXPANSION BEARINGS - FABRIC PAD			

SCALE: NTS	REV	DESCRIPTION	DATE	DWN BY DMH	DATE 10/6/08	DRAWING NO.	SHEET NO.
	A	ORIGINAL SHOP DWG ISSUE	11/24/08	CHK BY CW	DATE 10/14/08	38627VT-05	5 OF 8