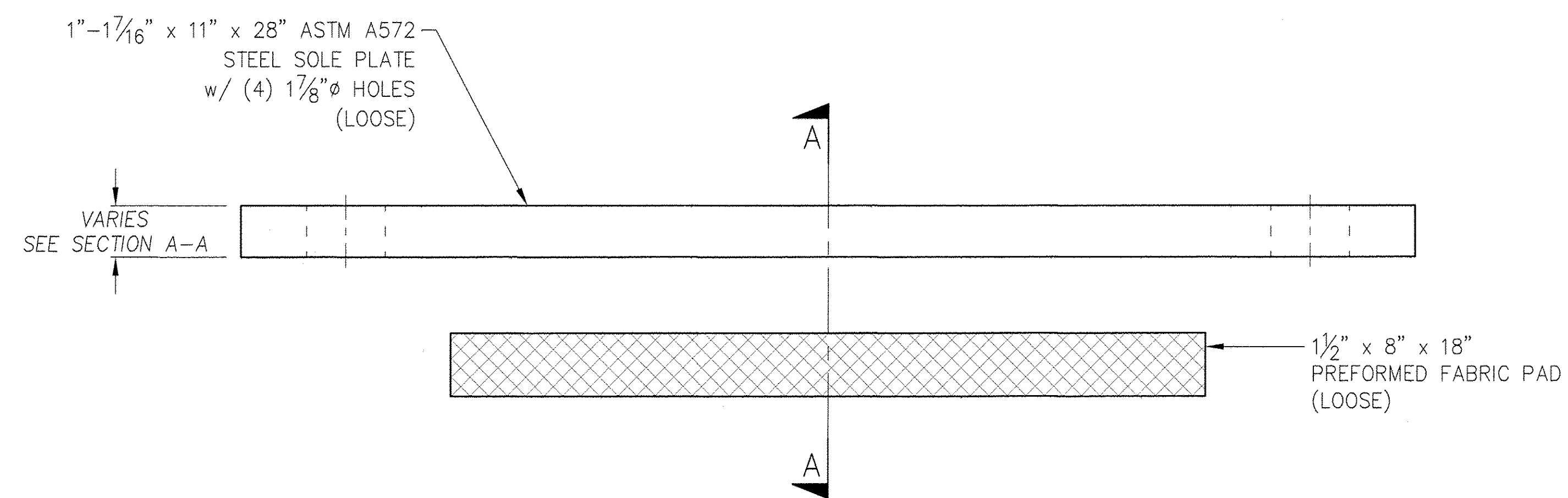


PLAN VIEW

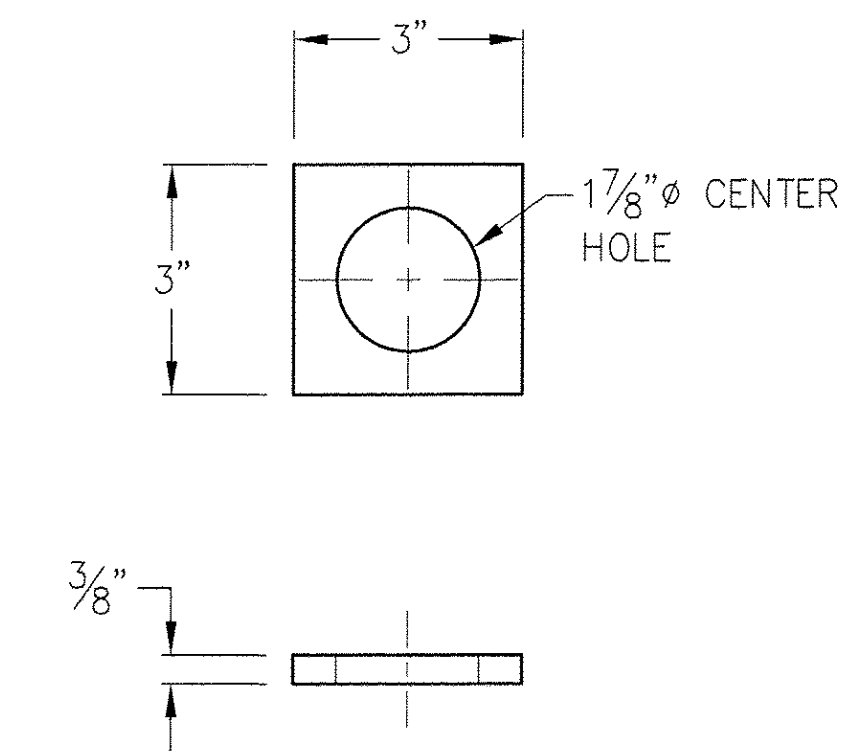


ELEVATION

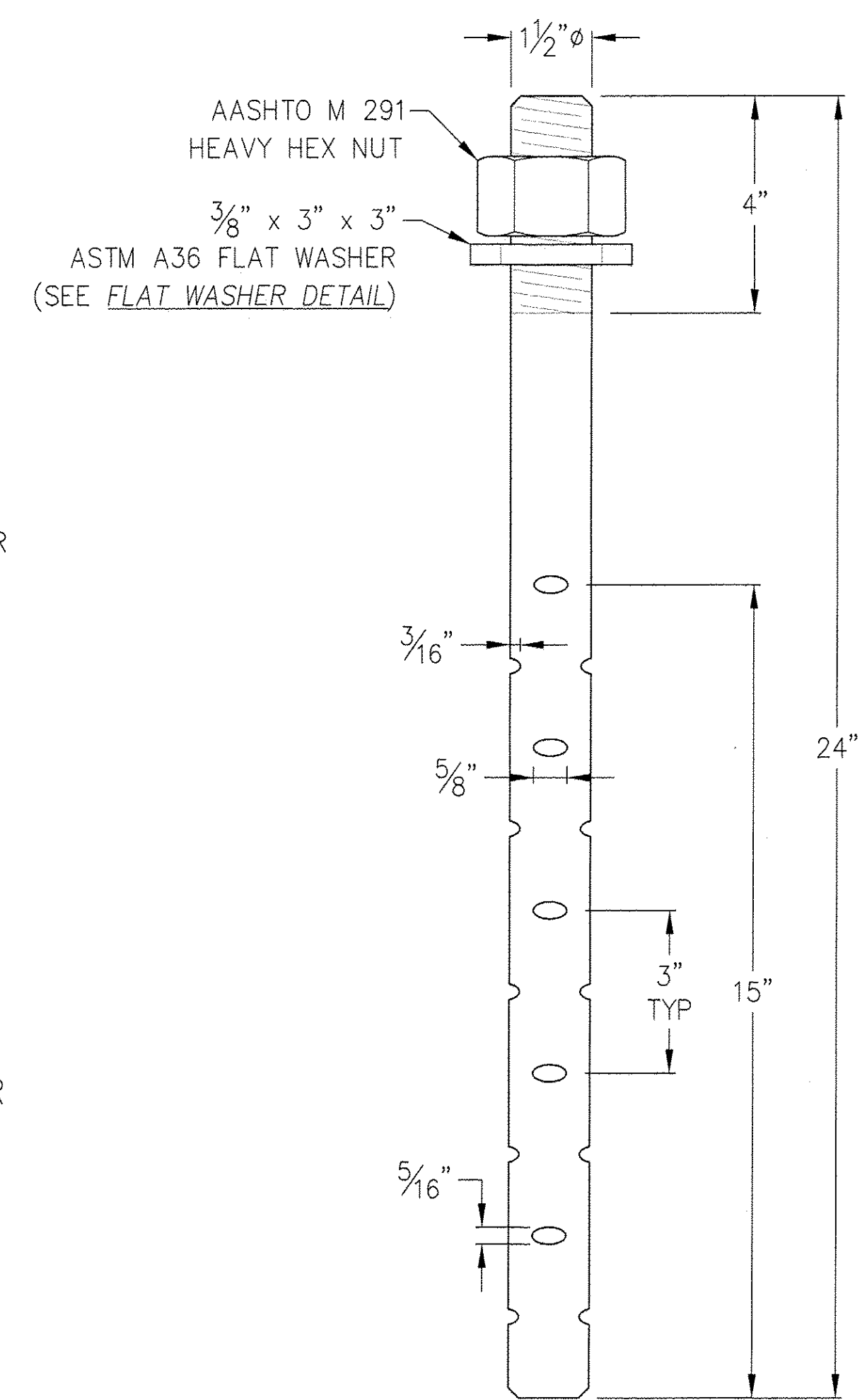
MK. 01  
BRIDGE 3N, ABUT 1  
GIRDERS N1-N6  
FIXED BEARING - FABRIC PAD  
(6) REQ'D

GENERAL NOTES:

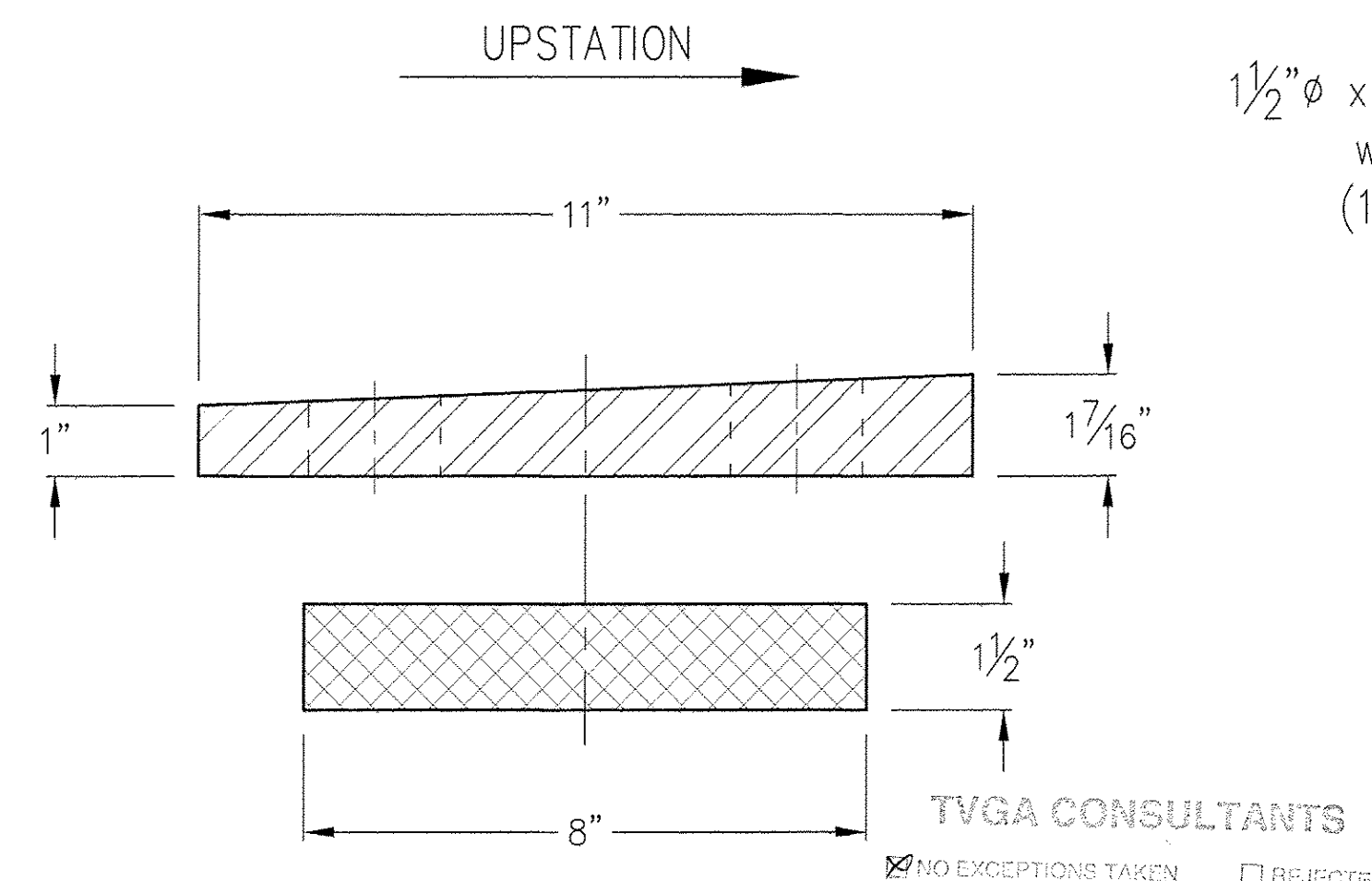
SEE SHEET 1



FLAT WASHER DETAIL  
3/8" x 3" x 3" ASTM A36 FLAT WASHER



ANCHOR BOLT ASSEMBLY  
1 1/2"  $\phi$  x 24" LONG ASTM A307 SWAGED ANCHOR BOLT  
w/ (1) AASHTO M 291 HEAVY HEX NUT &  
(1) 3/8" x 3" x 3" ASTM A36 FLAT WASHER  
ALL GALVANIZED PER AASHTO M 232  
(24) REQ'D FOR MK. 01



SECTION A-A

TVGA CONSULTANTS  
 NO EXCEPTIONS TAKEN  REQUIRED  
 FINISH AS CORRODED  
 REWELD AND REFINISH  
ENGINEER HAS REVIEWED SHOP DRAWINGS AND SPECIFICATIONS AND IS RESPONSIBLE FOR THE ACCURACY OF THE INFORMATION PROVIDED HEREON. CONSULTANT IS NOT RESPONSIBLE FOR THE ACCURACY OF THE INFORMATION PROVIDED BY THE CONTRACTOR OR FOR THE CONSTRUCTION OF THE WORK OF ALL TRADES.  
DATE: 1/20/07

Seismic Energy Products, L.P.  
STRUCTURAL BEARINGS FOR BRIDGES & BUILDINGS  
518 PROGRESS WAY PHONE: 903-675-8571  
ATHENS, TEXAS 75751 FAX: 903-677-2875

STATE OF VERMONT AGENCY OF TRANSPORTATION			
CUSTOMER: J.A. McDONALD			
P.O. NO: SIGNED QT			
TOWN OF GUILFORD	HIGHWAY NO. I-91	BRIDGE NO. 3N & 3S	
PROJECT GUILFORD		PROJECT NO. IM 091-1(33)	
I-91 OVER BROAD BROOK & BROAD BROOK ROAD FIXED BEARINGS - FABRIC PAD			
REV	DESCRIPTION	DATE	DATE
A	ORIGINAL SHOP DWG ISSUE	11/24/08	10/2/08
CHK BY	DATE	DRAWING NO.	SHEET NO.
		38627VT-02	2 OF 8

SCALE: NTS

F:\Drawings\2008\11\24\08\38627VT-02.dwg, 11/24/08 4:21:48 PM, 12.5