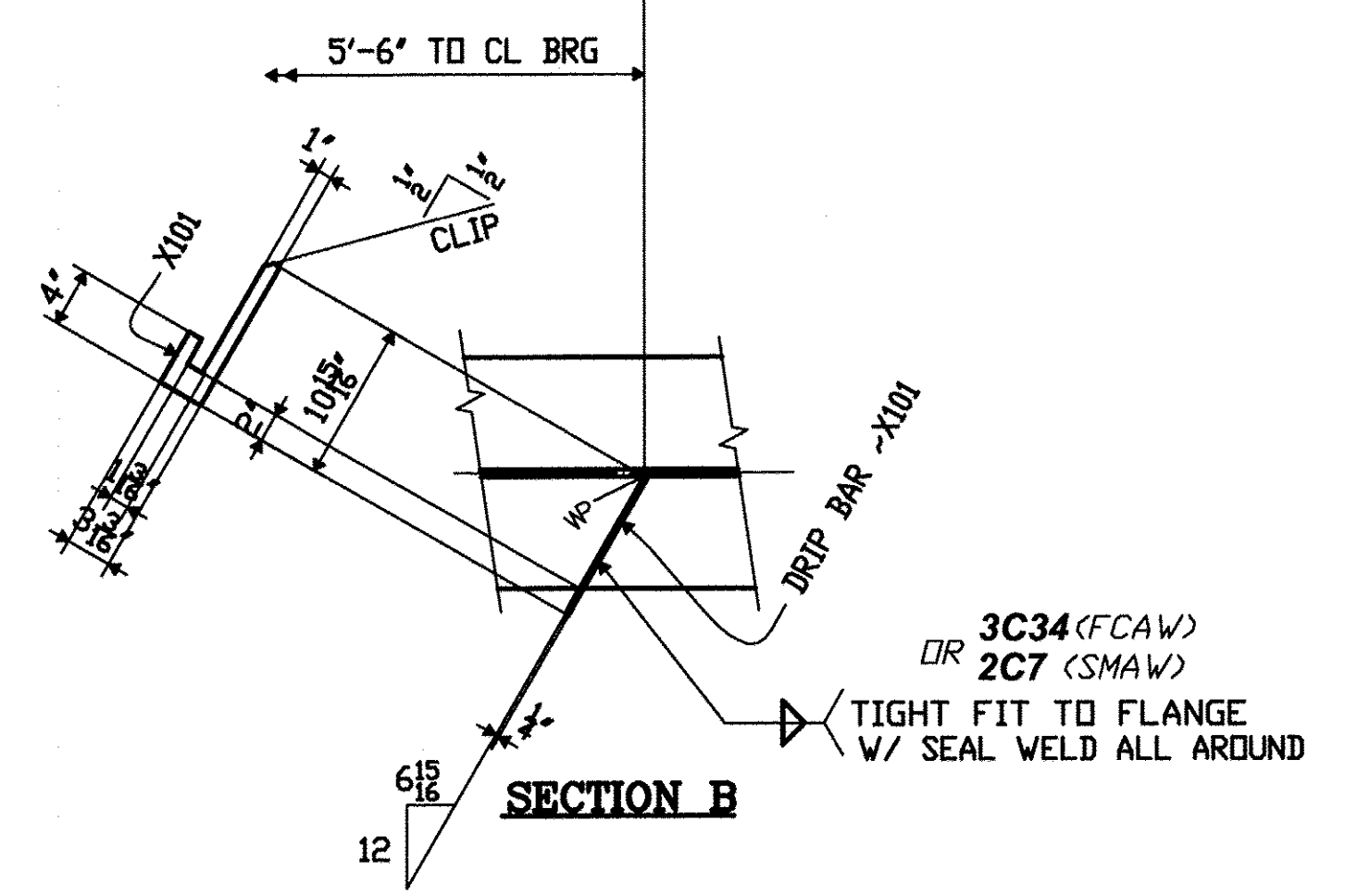
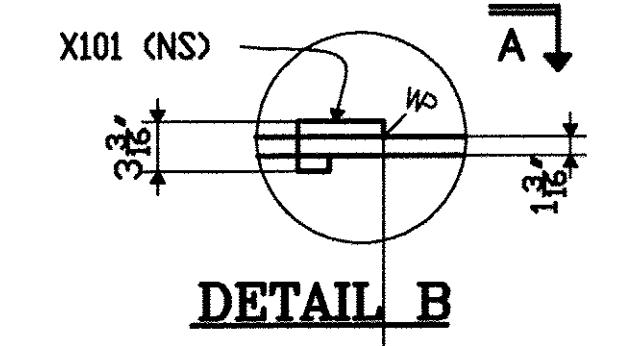


CAMBER DIAGRAM



SHOP BILL

LINE NO.	SHIPPING LIST		DESCRIPTION		LENGTH	ASSEMBLY MARK	REMARKS	MTRL. SPEC.	MATERIAL APPLICATION			
	NO. PCS	MARK	SYMBOL	SECTION DIM'S					FEET	INCHES	P.O. NO.	LINE NO.
1												
2	1	109BC5		PLATE GIRDER								
3			1	PL 1 3/8 x 16	41	5 7/8	TFBC1	V	M270-50W	6015NH	3	
4			1	PL 7/8 x 16	58	6 3/8	TFBC2	V	M270-50W	6015NH	4	
5			1	PL 1 3/8 x 16	41	5 7/8	BFBC1	V	M270-50W	6015NH	3	
6			1	PL 1 3/8 x 16	58	5 7/8	BFBC2	V	M270-50W	6015NH	1	
7			1	PL 1/2 x 37	65	9	WBC1	V	M270-50W	6015NH	7	
8			1	PL 1/2 x 37	34	3 1/4	WBC2	V	M270-50W	6015NH	9	
9												
10			2	PL 7/8 x 7 3/4	2	7 3/8	A107	FIN-2E	M270-50W	6016NH	1	
11			1	PL 7/8 x 7 3/4	3	1	D101	FIN-2E	M270-50W	6016NH	1	
12			1	PL 7/8 x 7 3/4	3	1	E101	FIN-2E	M270-50W	6016NH	1	
13			5	PL 1/2 x 5	3	1	G101	TF-2E	M270-50W	6016NH	4	
14												
15			1	BAR 1/4 x 3 3/8	0	10 15/16	X101		M270-50W	SHN		
16												
17												
18												
19												
20												
21												
22												
23												
24												
25												

DOMESTIC MATERIAL
SEE HN101 FOR FABRICATION NOTES

TVGA CONSULTANTS

NO EXCEPTIONS TAKEN REJECTED
 FURNISH AS CORRECTED
 REVISE AND RESUBMIT
 ENGINEER has reviewed Shop Drawings and Samples and other data which Contractor is required to submit, only for conformance with the information given in the Contract Documents and compliance with the design concept of the completed Project as a functioning whole as indicated in the Contract Documents. Such review does not extend to means, methods, techniques, sequences or procedures of construction or to safety precautions and programs incident thereto. Such review does not extend to any LEED certification or accreditation. Contractor is responsible for dimensions to be constructed and controlled in the job shop for fabrication that pertain solely to the fabrication processes or to techniques of construction, not for construction of the work of all trades.
 BY: *[Signature]*
 DATE: 7/16/2009

PROJECT No: ACIM 091-1(33)
 STA. 22+47.71 TO STA. 25+05.93
 BRIDGE No. 3S (SOUTHBOUND)
 TOWN OF GUILDFORD

FABRICATED BY NASH
 HOLES - 1/8" (UN) SHOP FASTENERS
 SHOP PAINT NONE
 SHOP INSPECTION
 GENERAL NOTES WORK THIS SHEET w/HF109A

DATE	NO.	BY	REVISIONS
	R1		

ORDER NO. 08-18537H32
 DETAILS OF PL GIRDER - SPAN BC
 LINE 5
 PROJECT I-91 OVER BROAD BROOK AND BROAD BROOK ROAD
 LOCATION WINDHAM COUNTY, VT
 CUSTOMER MEC CONSTRUCTION
CAROLINA STEEL GROUP, LLC.
 MADE BY GM
 CHECKED BY PDC/SB
 SOUND LEADER PRECISE DRIFTING Co. Inc.
 DATE 09-08
 SHEET HF109B