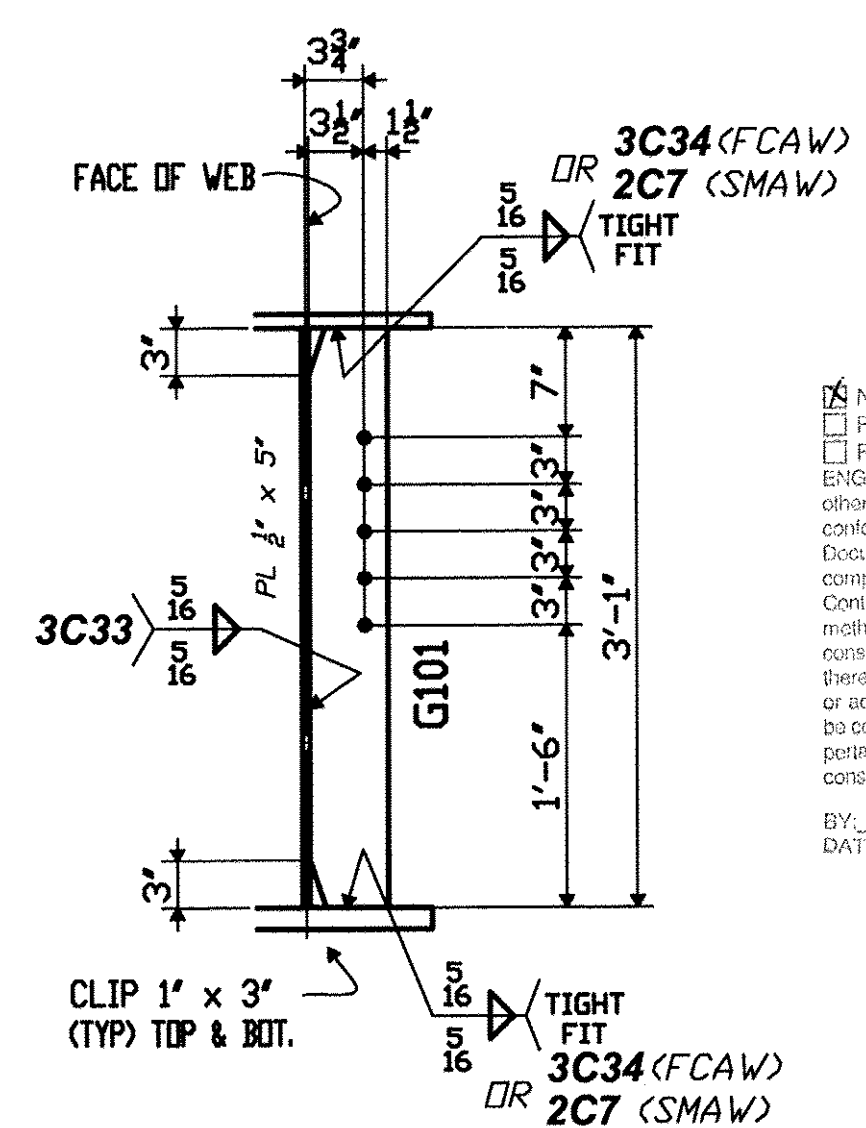


### SHOP BILL

LINE NO.	SHIPPING LIST		DESCRIPTION	LENGTH	ASSEMBLY MARK	REMARKS	MTRL. SPEC.	MATERIAL APPLICATION			
	NO. PCS	MARK						P.O. NO.	LINE NO.	LENGTH	
1											
2	1	106B5	PLATE GIRDER								
3		1	PL 7/8 x 16	55	9	TFB1	V	M270-50W	6015NH	5	
4		1	PL 1 3/16 x 16	55	9	BFB1	V	M270-50W	6015NH	2	
5		1	PL 1/2 x 37	55	9	WB1	V	M270-50W	6015NH	8	
6											
7		2	PL 1/2 x 16	1	10 3/4	A104	V	M270-50W	6016NH	4	
8		4	PL 1/2 x 7	1	10 3/4	C104	V	M270-50W	6016NH	4	
9		2	PL 3/4 x 16	2	4 3/4	D104	V	M270-50W	6016NH	2	
10		4	PL 3/4 x 7	2	4 3/4	E104	V	M270-50W	6016NH	2	
11		4	PL 3/8 x 34 1/2	1	9 1/4	G104	V	M270-50W	SHN		
12		2	PL 5/16 x 16	0	11 1/4	H104		M270-50W	SHN		
13											
14		8	F BOLT	7/8	0	3 1/2		SHIPPING BOLTS	A307	PS6331	2
15		8	F BOLT	7/8	0	4		SHIPPING BOLTS	A307	PS6331	3
16		4	F BOLT	7/8	0	2 1/2		SHIPPING BOLTS	A307	PS6331	1
17											
18		2	PL 1/2 x 5	3	1	G101	TF-2E	M270-50W	6016NH	4	
19											
20											
21											
22											
23											
24											
25											

DOMESTIC MATERIAL

SEE HN101 FOR FABRICATION NOTES



**TVGA CONSULTANTS**

NO EXCEPTIONS TAKEN  REJECTED  
 FURNISH AS CORRECTED  
 REVISE AND RESUBMIT

ENGINEER has reviewed Shop Drawings and Samples and other data which Contractor is required to submit, only for conformance with the information given in the Contract Documents and compatibility with the design concept of the completed Project as a functioning whole as indicated in the Contract Documents. Such review does not extend to means, methods, techniques, sequences or practices of construction or to safety precautions and programs inherent thereto. Contractor is responsible for dimensions to be fabricated and controlled at the job site for information that pertains solely to the fabrication process or to the quality of construction and for coordination of the work of all trades.

BY: *[Signature]*  
 DATE: 7/16/2008

PROJECT No: ACIM 091-1(33)  
 STA. 22+47.71 TO STA. 25+05.93  
 BRIDGE No. 3S (SOUTHBOUND)  
 TOWN OF GUILFORD

FABRICATED BY: NASH  
 HOLES: 1/8" Ø SHOP FASTENERS  
 SHOP PAINT: NONE  
 SHOP INSPECTION: \_\_\_\_\_  
 GENERAL NOTES: \_\_\_\_\_

ORDER NO. 08-18537H32  
 DETAILS OF PL GIRDER - SPAN B  
 LINE 5  
 PROJECT I-91 OVER BROAD BROOK AND BROAD BROOK ROAD  
 LOCATION WINDHAM COUNTY, VT  
 CUSTOMER MEC CONSTRUCTION  
**CAROLINA STEEL GROUP, LLC.**

REVISIONS		
DATE	NO.	BY
	R1	

MADE BY: GM  
 CHECKED BY: PDC/SB  
 SOUND LEADER Precision Drafting Co. Inc.  
 DATE: 09-08  
 SHEET: HF106

DOR - DENOTES DIRECTION OF ROLLING

CAMBER DIAGRAM